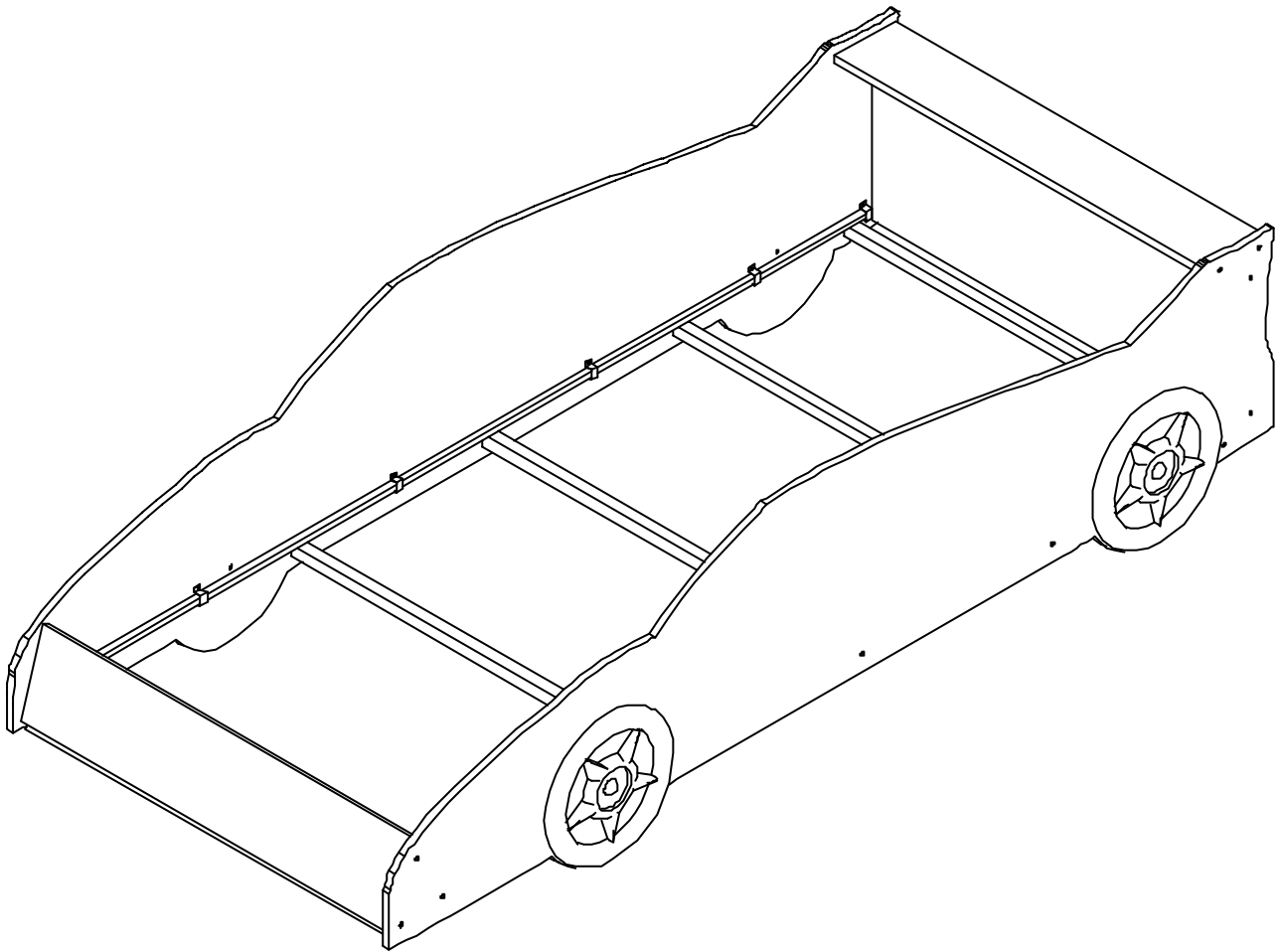
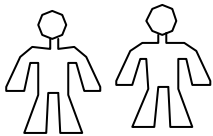
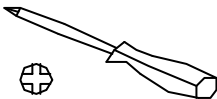
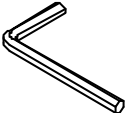


THIS PRODUCT USED
BENZENE FREE
FURNITURE PAINT



MODEL : B126

<p>ASSEMBLE DIFFICULTY</p> <p>1 ② 3 4 5</p>			
---	---	--	---

-User Age:	36 Months Or Above.
-Standard Of Paint:	EN71-3:1994
-Benzene Content:	Not Detected
-Methylbenzene Content:	Not Detected
-Xylene Content:	Not Detected

IMPORTANT, RETAIN FOR FUTURE REFERENCE: READ CAREFULLY

-Information regarding maintenance

Use dry, clean & soft cloth rub on the surface regularly; must not use any wet cloth, hardware or any hard material (such as keys, knife, sand-paper) rub on the surface. Keep away from water and any chemical substances.

-Conditions for use of the product domestic





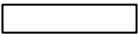
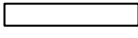
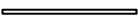
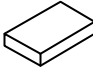

-Installation only to be carried out by a competent person

-Article consists swallowable small parts, children < 3 years should not be without parental guidance (surveillance or monitoring)

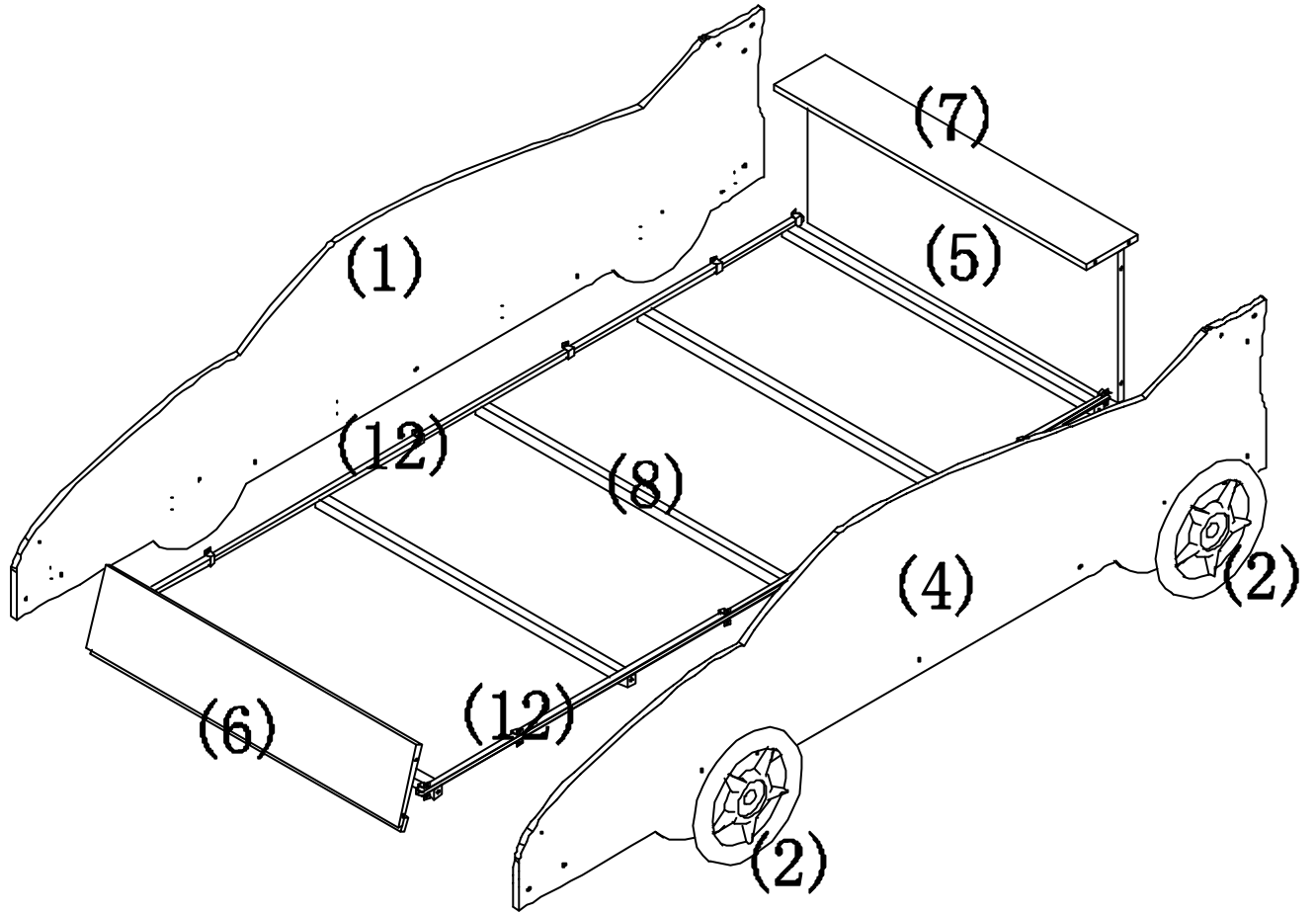
-Screw lock (A1) must be inserted before joining

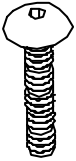

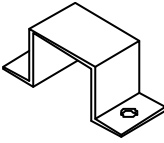

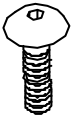

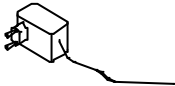
-For the safety reason all of the hardware must be screwed tidely.

DESCRIPTION OF COMPONENT

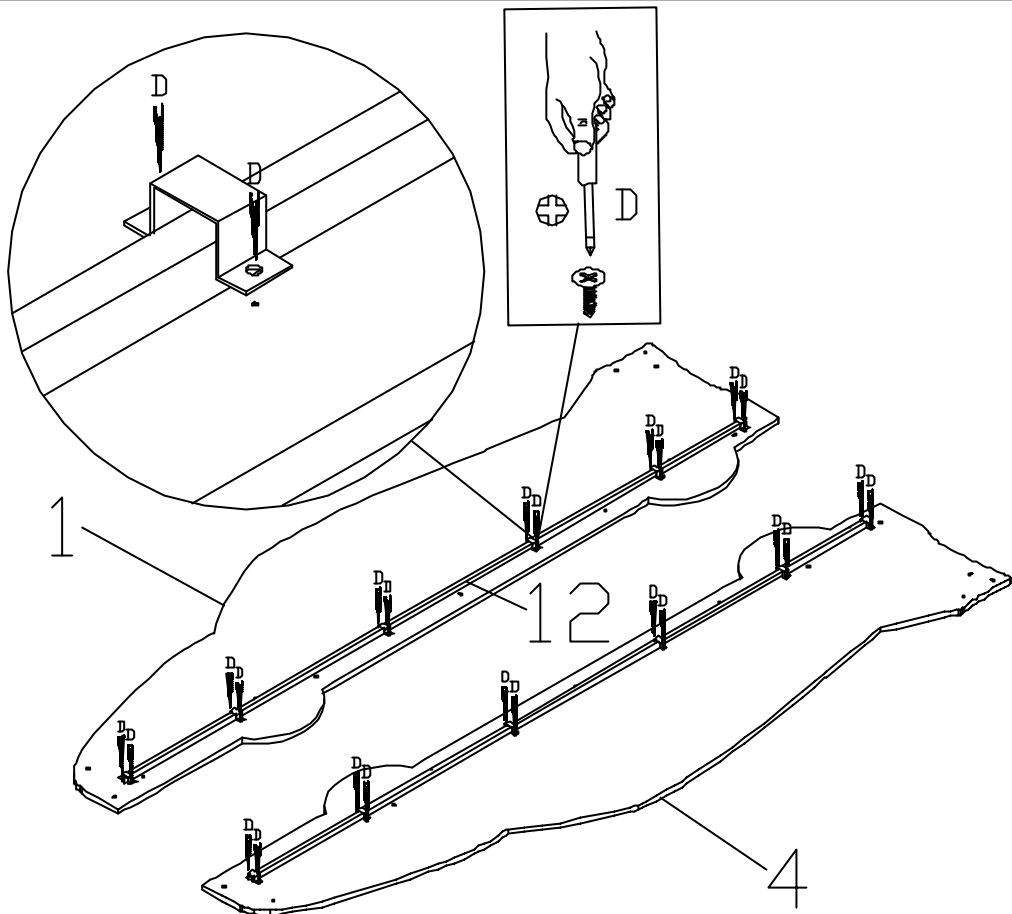
ITEM NO	WORK PIECE DESCRIPTION	MEASUREMENT	QTY	COLOUR	SHAPE	PACK IN BOX
(1)	SIDE PANEL (L)	2170*560*15	1	RED		1/1
(2)	TYRE	φ 300*18	4	BLACK		1/1
(4)	SIDE PANEL (R)	2170*560*15	1	RED		1/1
(5)	BACK BOARD	905*380*15	1	RED		1/1
(6)	FRONT BOARD	905*186*15	1	RED		1/1
(7)	MIDDLE SUPPORT	905*150*15	1	RED		1/1
(8)	SQUARE PIPE	905*25*25	5	WHITE		1/1
(10)	HARDWARE	178*114*32	1	BROWN		1/1
(12)	U-SHAPED IRON	2000*15*12	2	SILVER		1/1

MODEL: B126 (905*2020)



A	B	C	D	E	F	G
						
M6*50	RED		M3.5*12	M6*30		
QTY:22	QTY:12	QTY:12	QTY:24	QTY:4	QTY:4	QTY:1

1

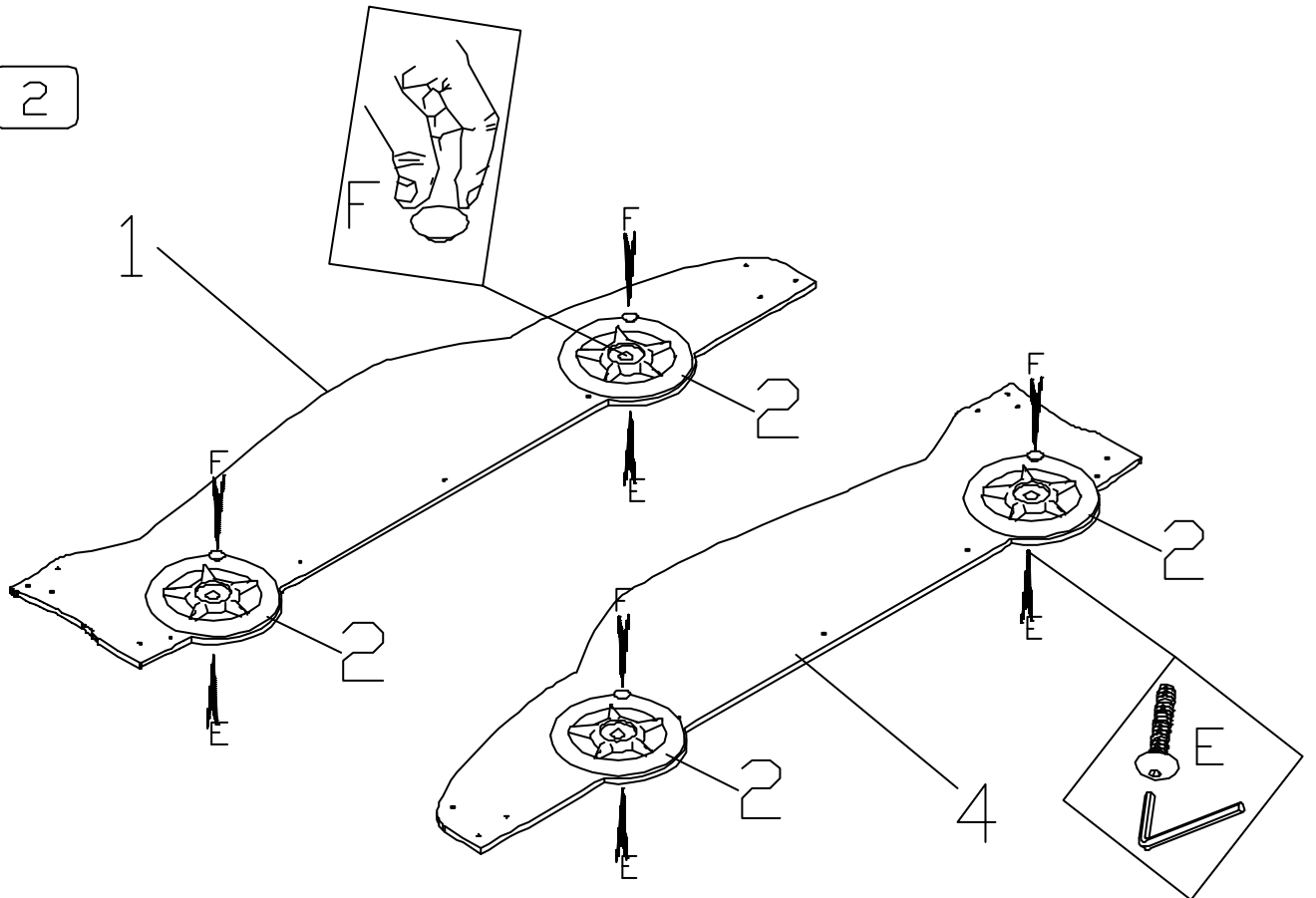


D



M3.5*12
QTY:24

2



E



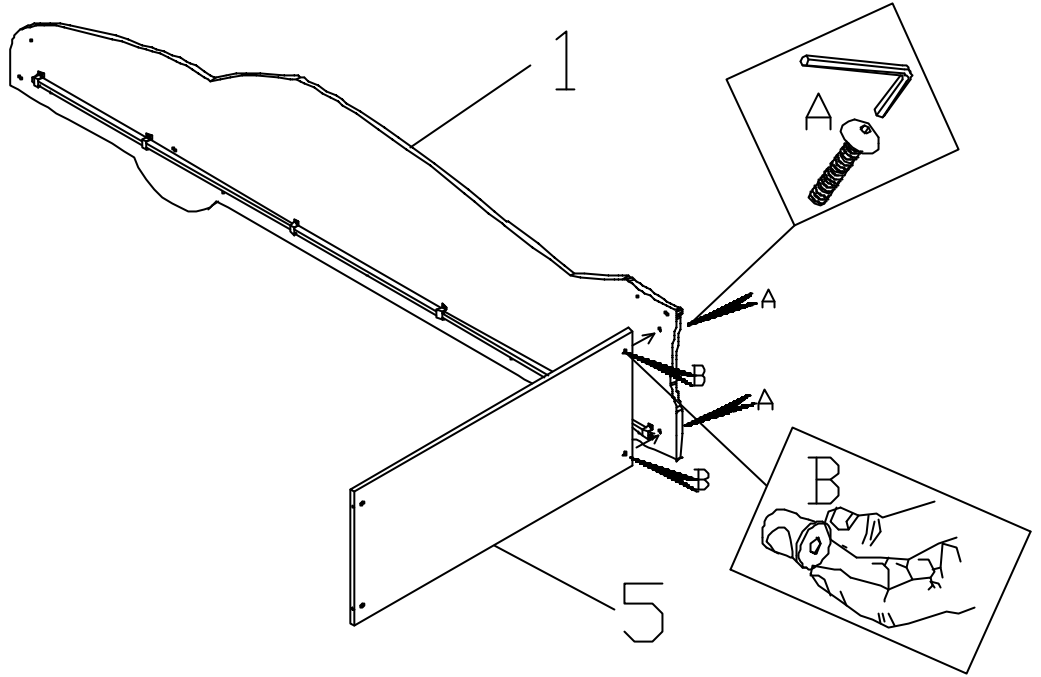
M6*30
QTY:4

F



QTY:4

3



A



M6*50
QTY:2

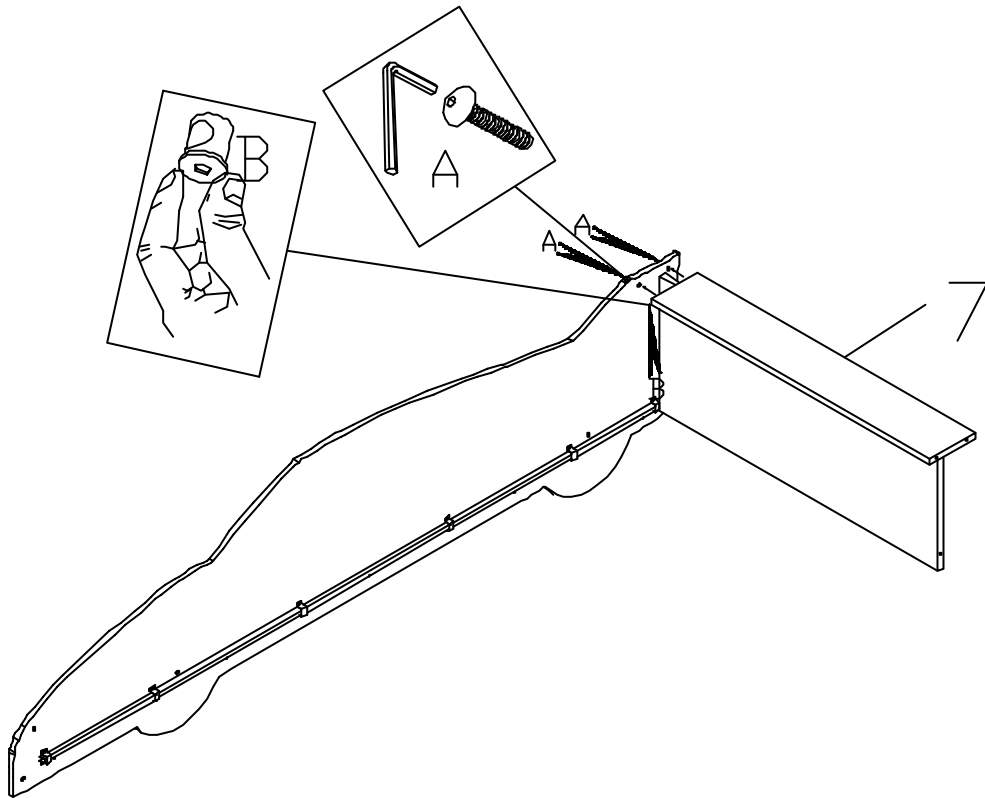
B



RED

QTY:2

4



A



M6*50
QTY:2

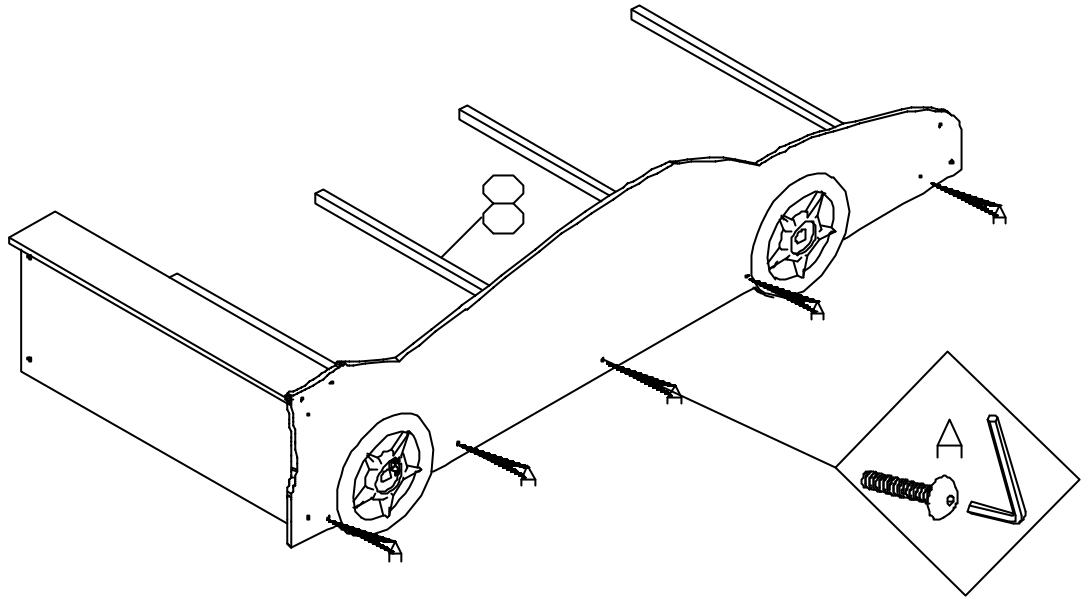
B



RED

QTY:2

5



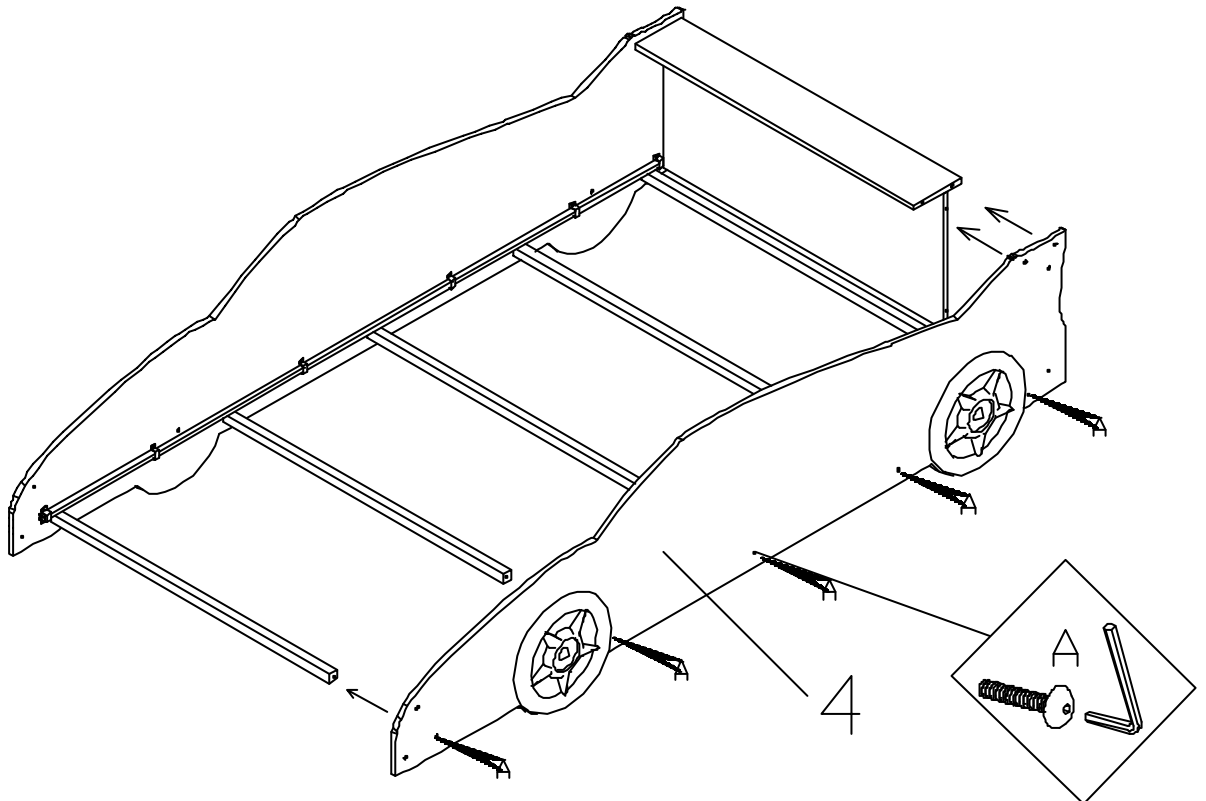
A



M6*50

QTY:5

6



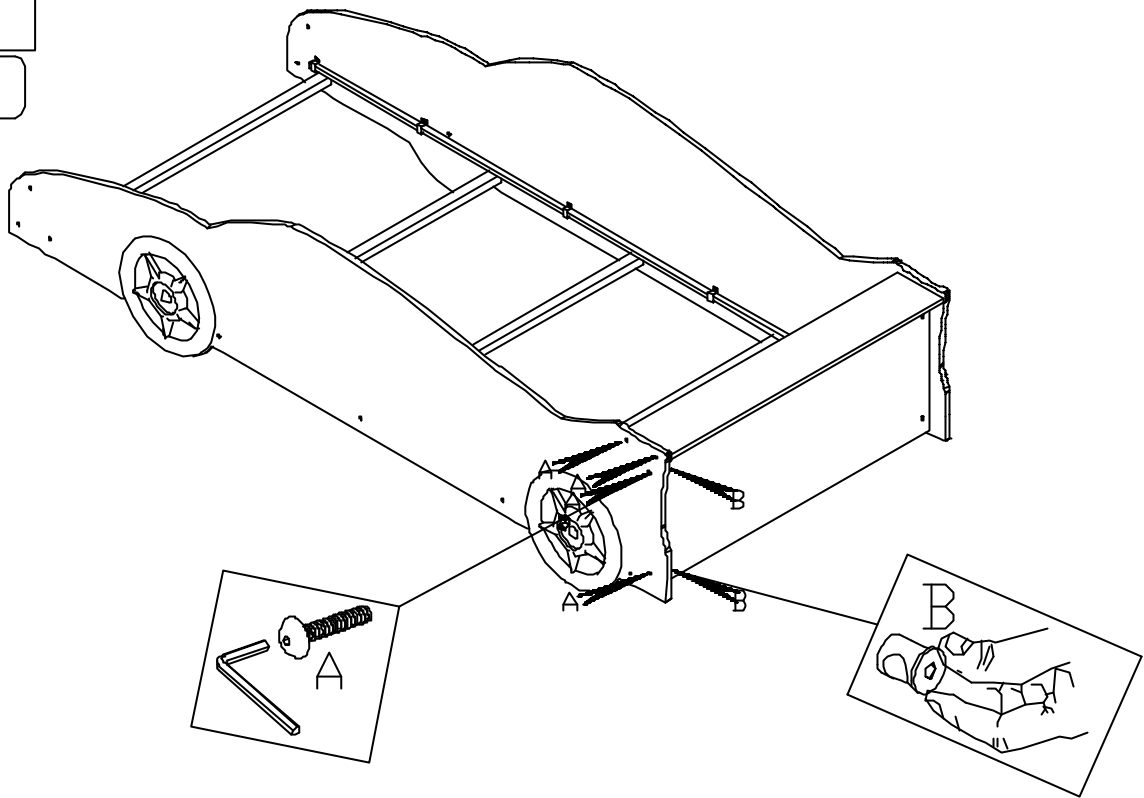
A



M6*50

QTY:5

7



A



M6*50
QTY:4

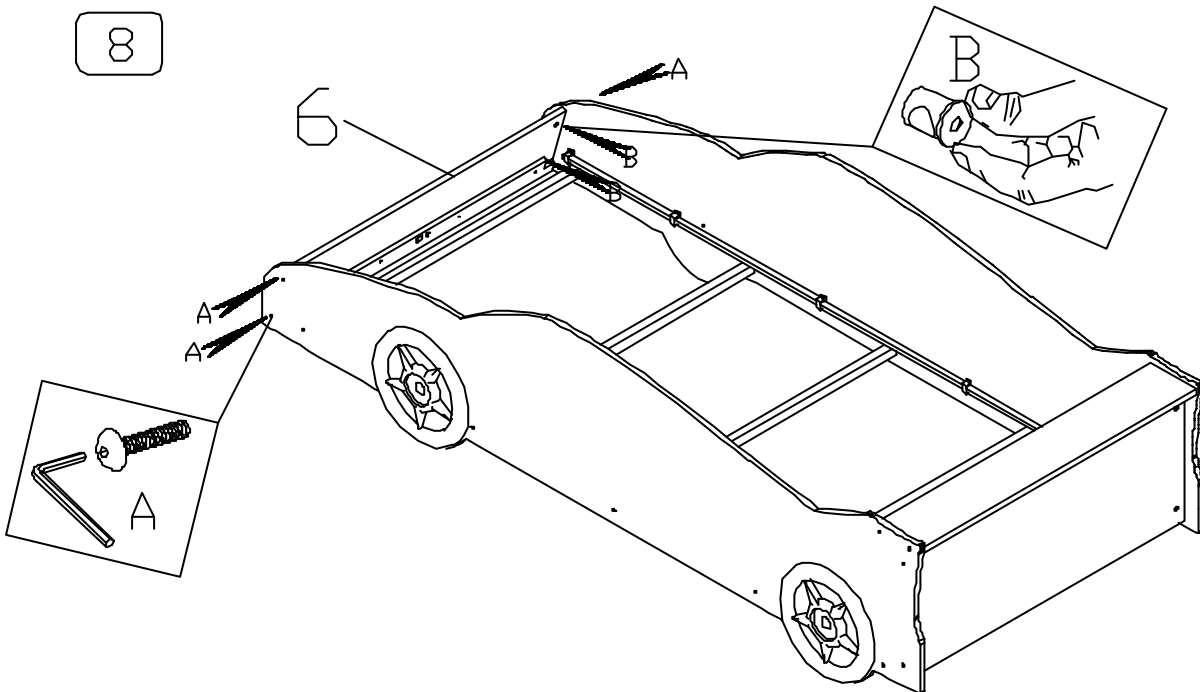
B



RED

QTY:4

8



A



M6*50
QTY:4

B



RED

QTY:4