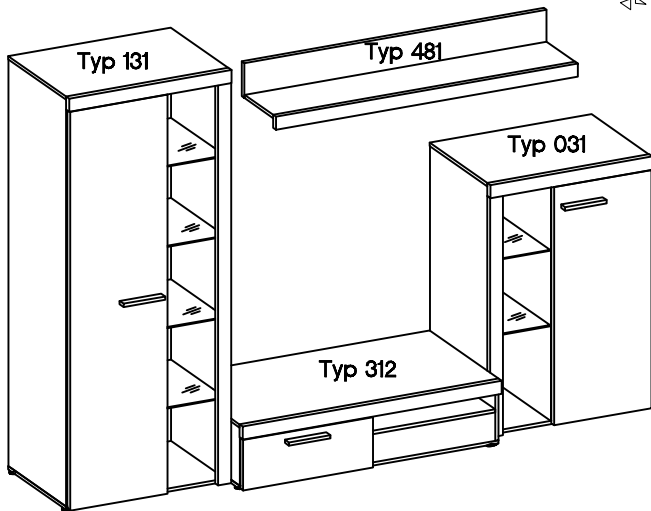
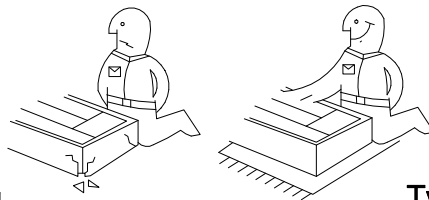
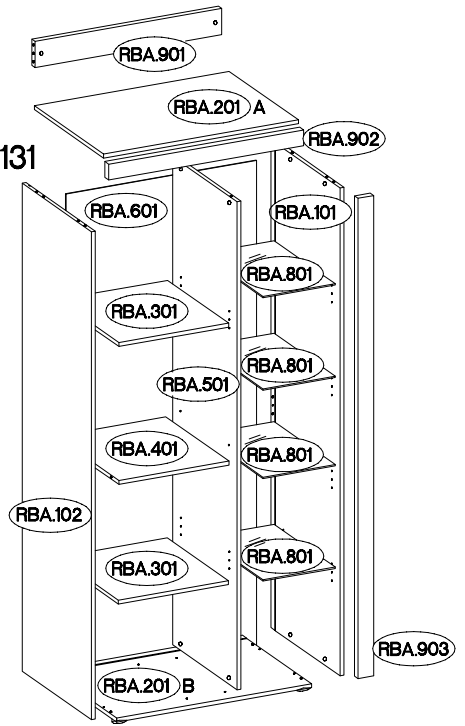


RUMBA

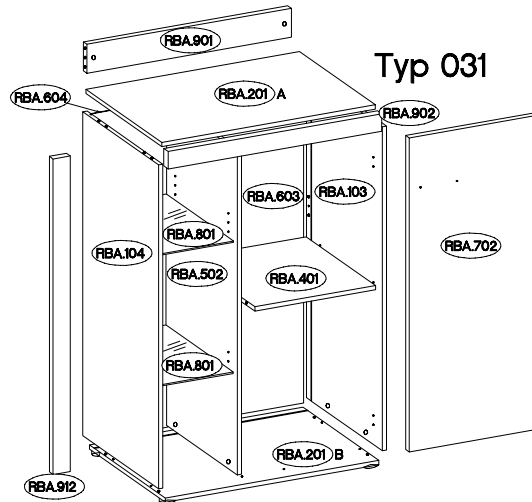


Typ 131



1/3

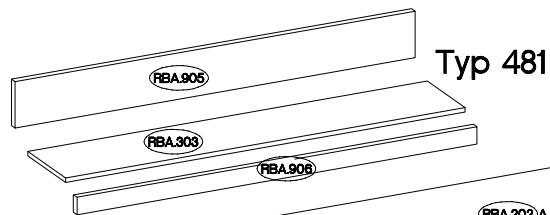
RBA.701



Typ 031



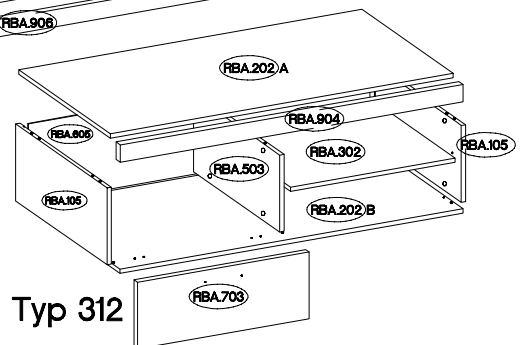
1/3



Typ 481

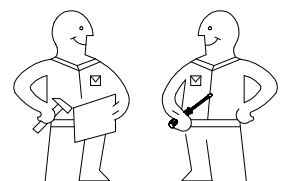
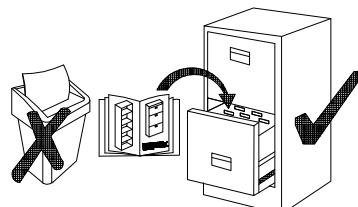


1/3

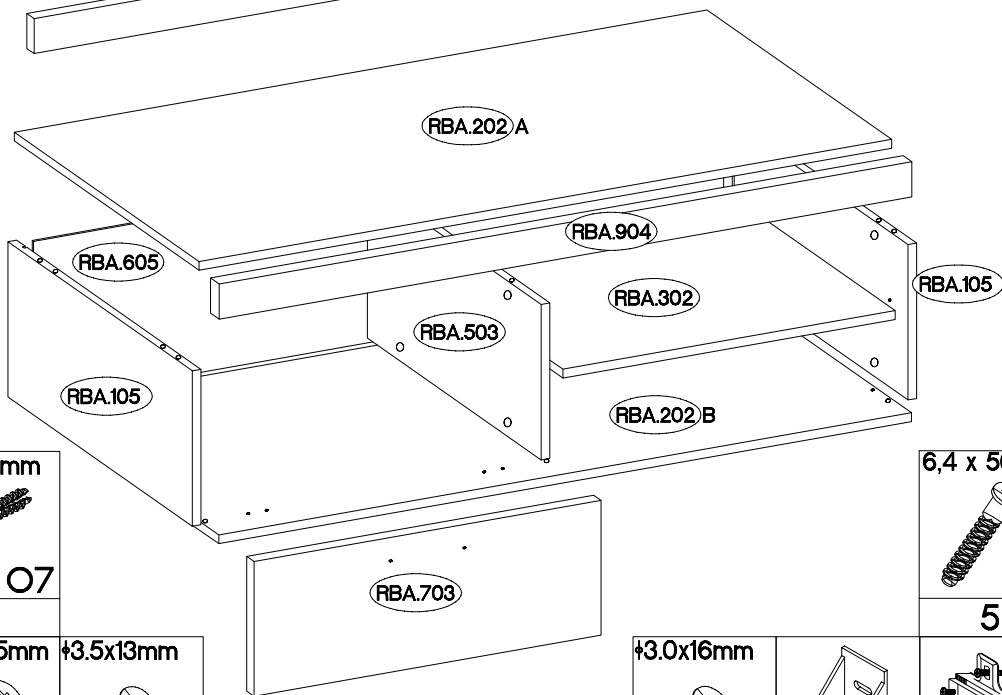
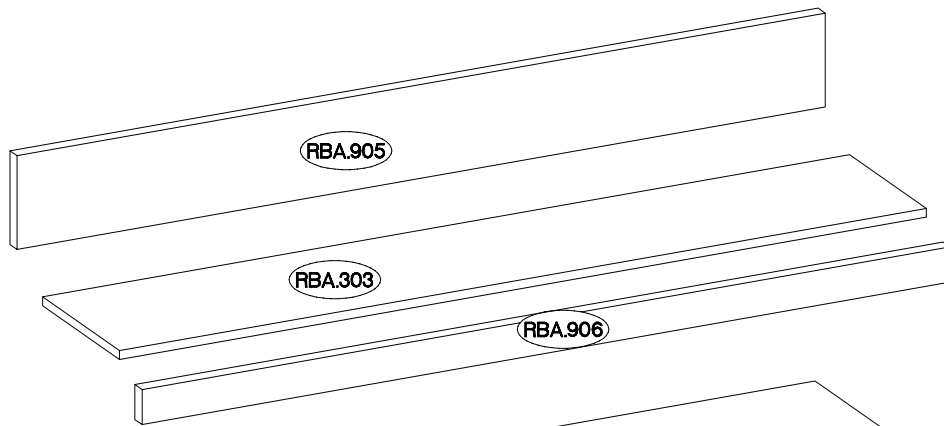
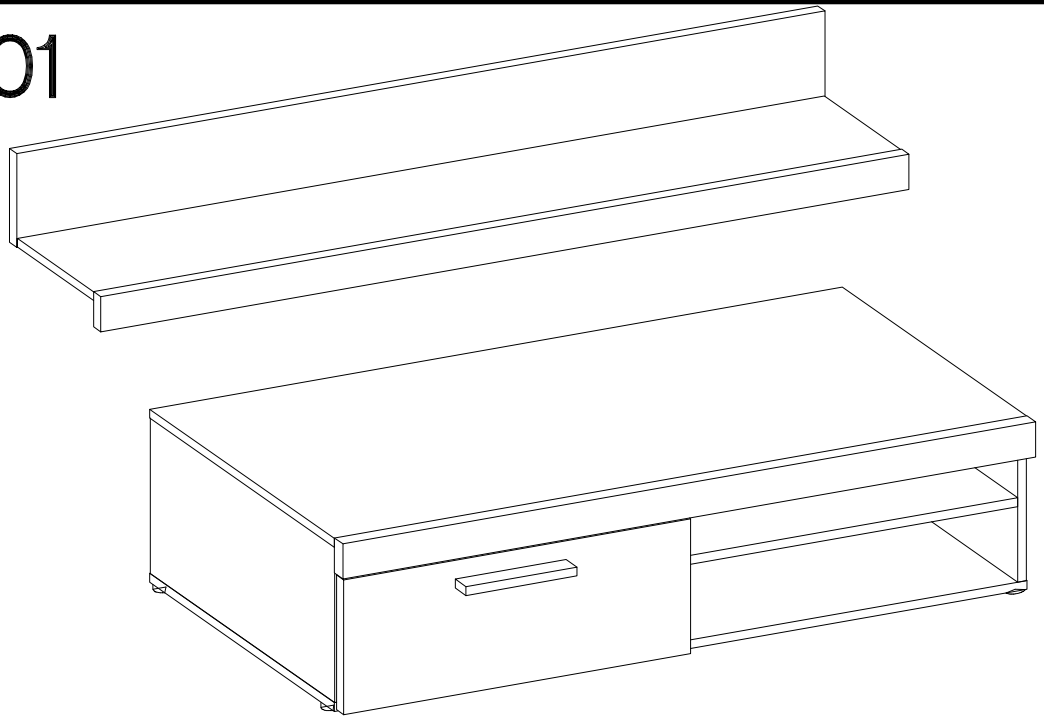





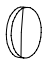
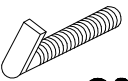

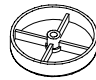



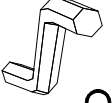
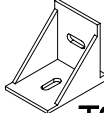
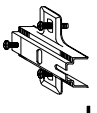
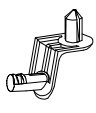




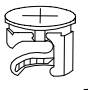
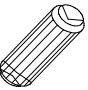
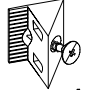
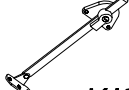
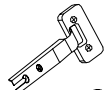
Typ 312

| Coli | Typ | Ersatzteil Nummer | Dimension |
|---------|--------------|-------------------|-----------------|
| 1/3 | 031 | RBA.103 | 1120x320x15 |
| | | RBA.104 | 1120x320x15 |
| | | RBA.604 | 291x1129x2,5 |
| | | RBA.912 | 1091x60x16 |
| | 312 | RBA.105 | 265x384x15 |
| | | RBA.202 | 1200x384,5x15 |
| | | RBA.302 | 576x357x15 |
| | | RBA.503 | 265x362x15 |
| | | RBA.605 | 595x274x2,5 |
| | | RBA.703 | 601x230x15 |
| | 481 | RBA.904 | 1200x60x18 |
| | | RBA.303 | 1398x160x15 |
| RBA.905 | | 1400x160x15 | |
| | RBA.906 | 1400x60x16 | |
| 2/3 | 131 | RBA.201 | 750x320,5x15 x2 |
| | | RBA.301 | 423x283x14 x2 |
| | | RBA.401 | 424x293x15 |
| | | RBA.901 | 718x100x15 |
| | | RBA.902 | 750x60x18 |
| | 031 | RBA.201 | 750x320,5x15 x2 |
| | | RBA.401 | 424x293x15 |
| | | RBA.502 | 1120x298x15 |
| | | RBA.603 | 436x1129x2,5 |
| | | RBA.702 | 450x1085x15 |
| | | RBA.901 | 718x100x15 |
| | | RBA.902 | 750x60x18 |
| RBA.801 | 278x283x5 x6 | | |
| 3/3 | 312 | RBA.101 | 1850x320x15 |
| | | RBA.102 | 1850x320x15 |
| | | RBA.501 | 1850x298x15 |
| | | RBA.601 | 436x1859x2,5 |
| | | RBA.602 | 291x1859x2,5 |
| | | RBA.701 | 450x1815x15 |
| RBA.903 | 1821x60x16 | | |


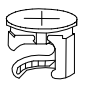
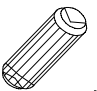
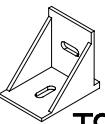

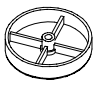



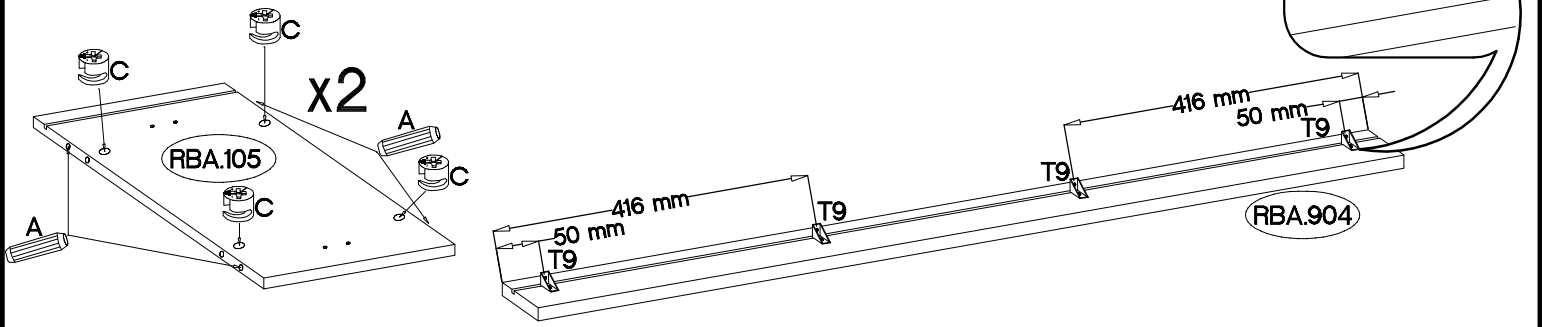
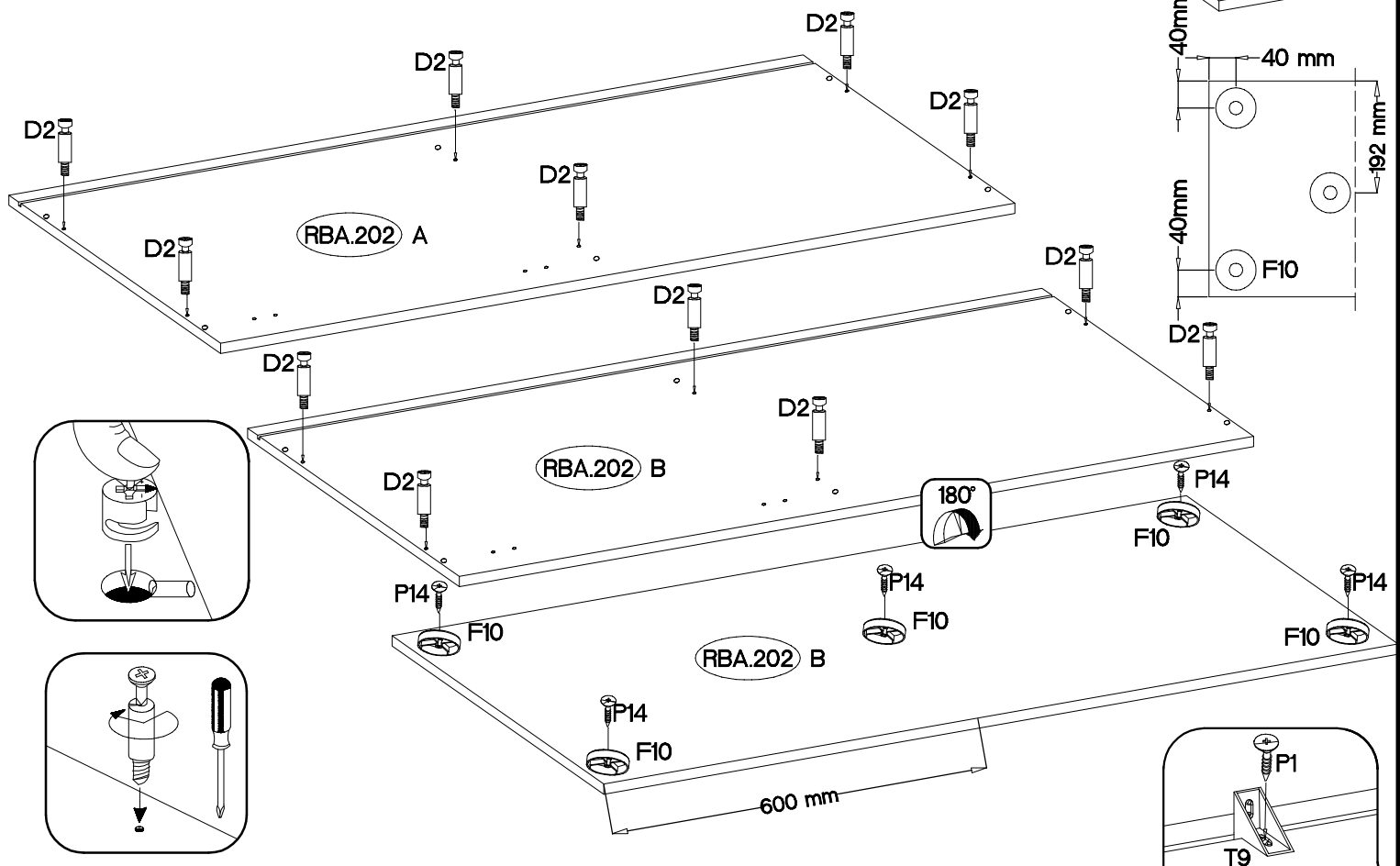
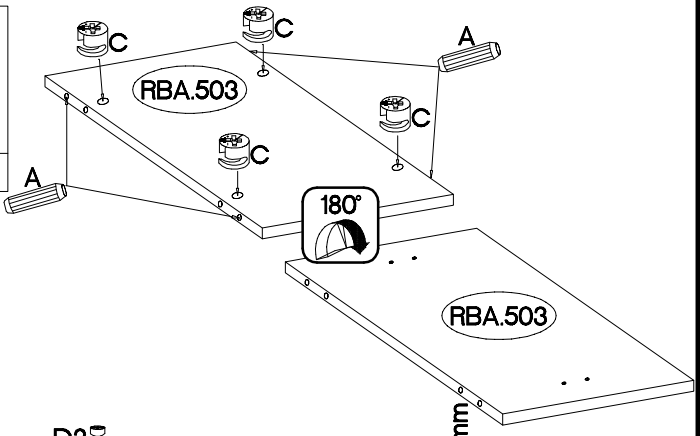
RUMBA 01




| | | | | | | | | | | |
|---|---|---|---|---|---|---|---|---|---|---|
|  | | | | | | | | |  | |
| 12 | | | | | | | | | M4 | |
|  | | | | | | | | | 4 | |
| 2 | | | | | | | | | +7/2mm | |
| 5/45mm | +10x50mm | | | | | | |  | | |
|  |  | | | | | | | 2 | | |
| 2 | 2 | | | | | | | 2 | | |
|  | +4.0x25mm | +3.5x13mm | | | | | | | 6,4 x 50mm | |
| 5 |  |  | | | | | | |  | |
| 5 | 5 | 7 | | | | | | |  | |
| +4.0x30mm | +4.0x16mm | +3.0x20mm | L=20mm | +15/12mm | +8x30mm | +3.0x16mm |  |  |  | |
|  |  |  |  |  |  |  | 3 | 8 | 2 | |
| 2 | 16 | 2 | 12 | 12 | 12 | 5 | 8 | 2 | 4 | |
| | | | | | | | | | | L=128mm |
| | | | | | | | | | |  |
| | | | | | | | | | | +35/0mm |
| | | | | | | | | | |  |
| | | | | | | | | | | 2 |

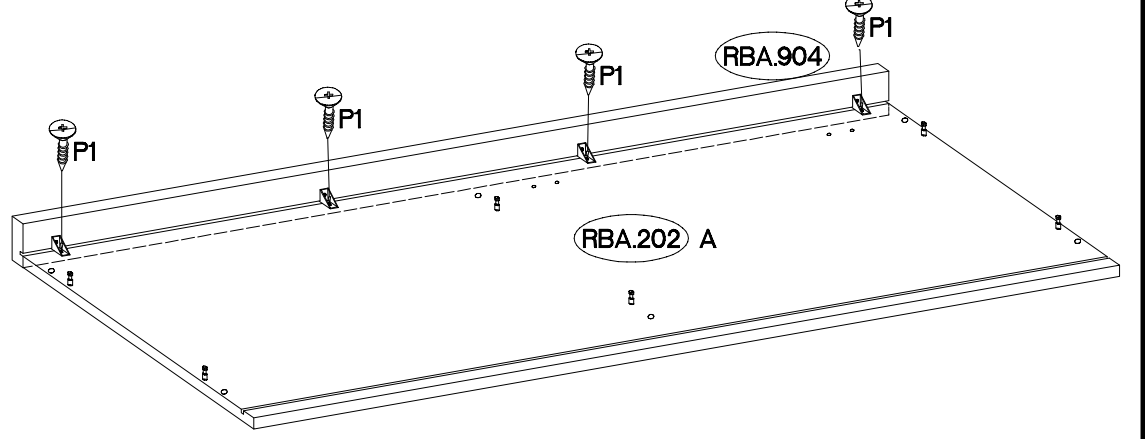
1

| | | | | |
|--|---|--|---|--|
| L=20mm  D2 12 | ±15/12mm  C 12 | ±8x30mm  A 12 |  T9 4 | ±4.0x16mm  P1 4 |
|  F10 5 | |  P14 5 | | |

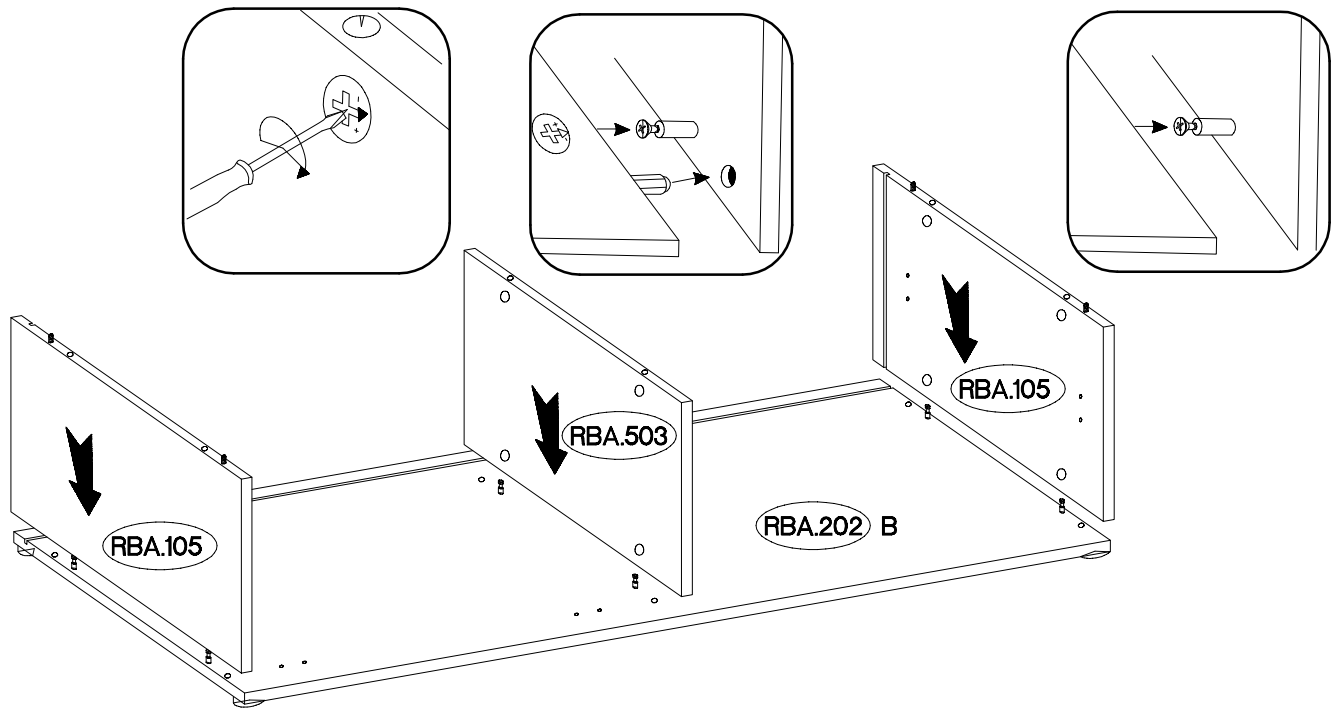


2

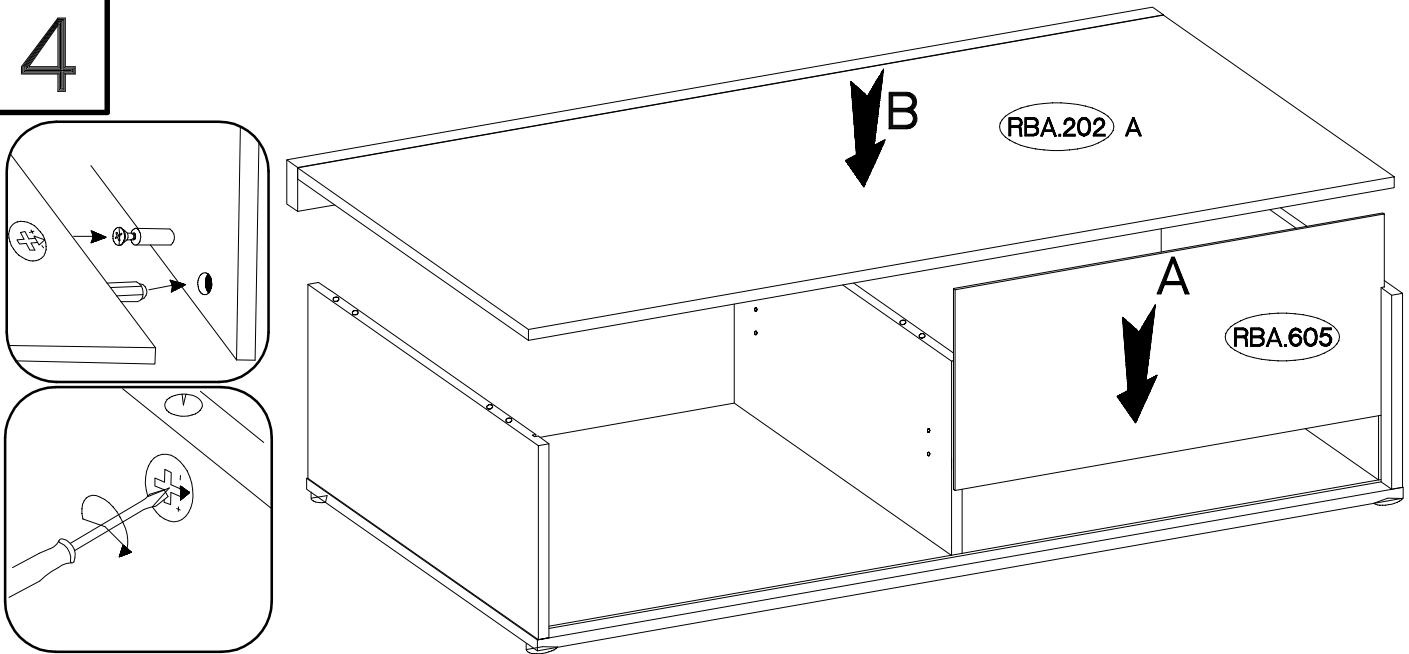
| |
|---|
| ±4.0x16mm  P1 4 |
|---|



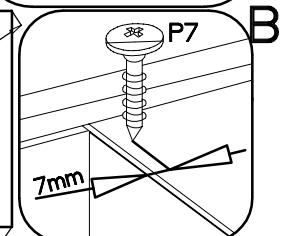
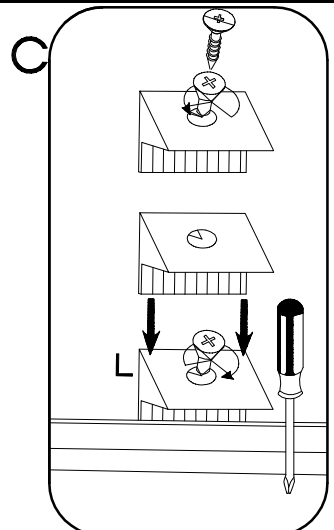
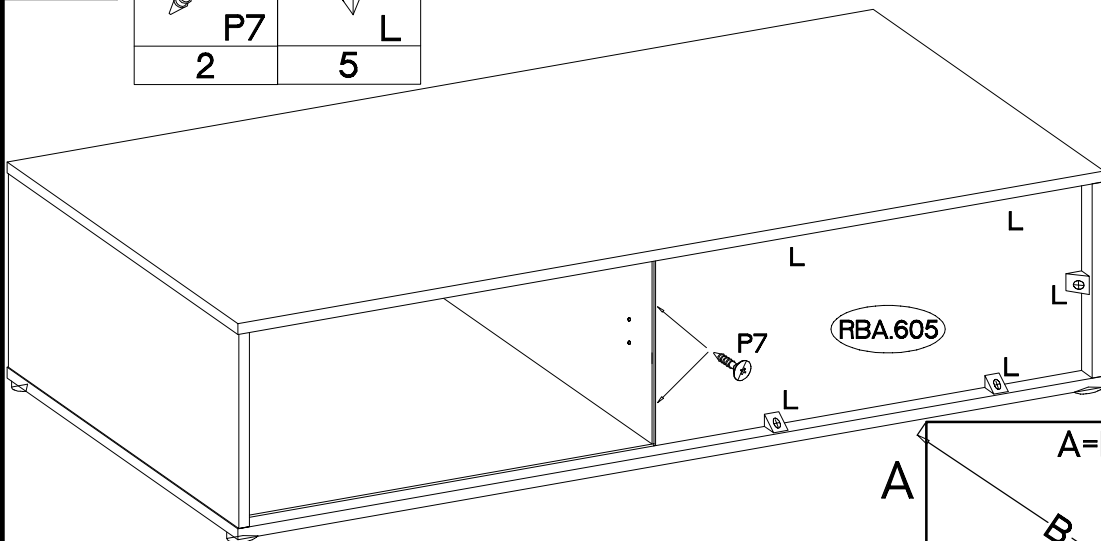
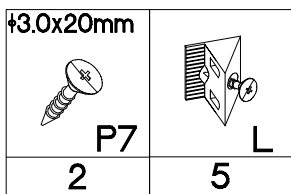
3



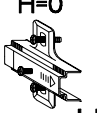


4

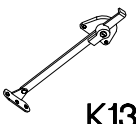


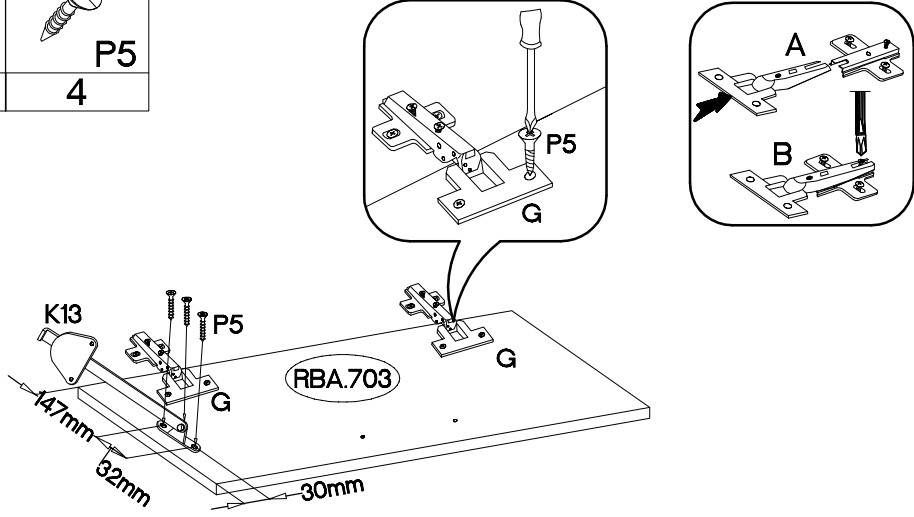
5



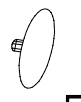

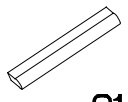
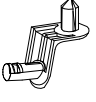
6


| | | |
|--|--|---|
| H=0  H | +35/0mm  G | +3.5x13mm  P5 |
| 2 | 2 | 4 |

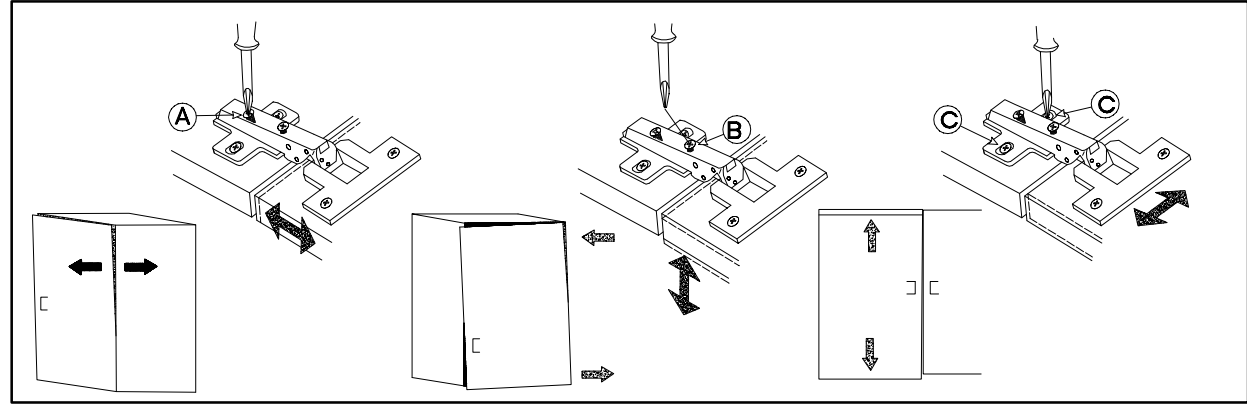
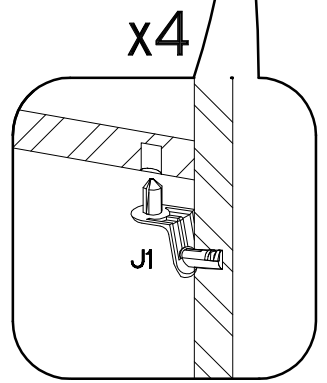
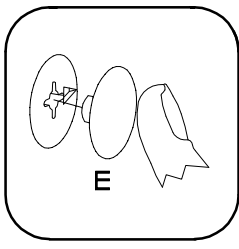
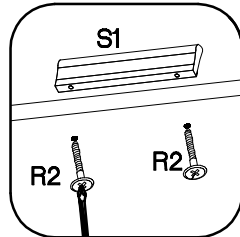
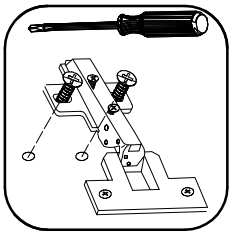
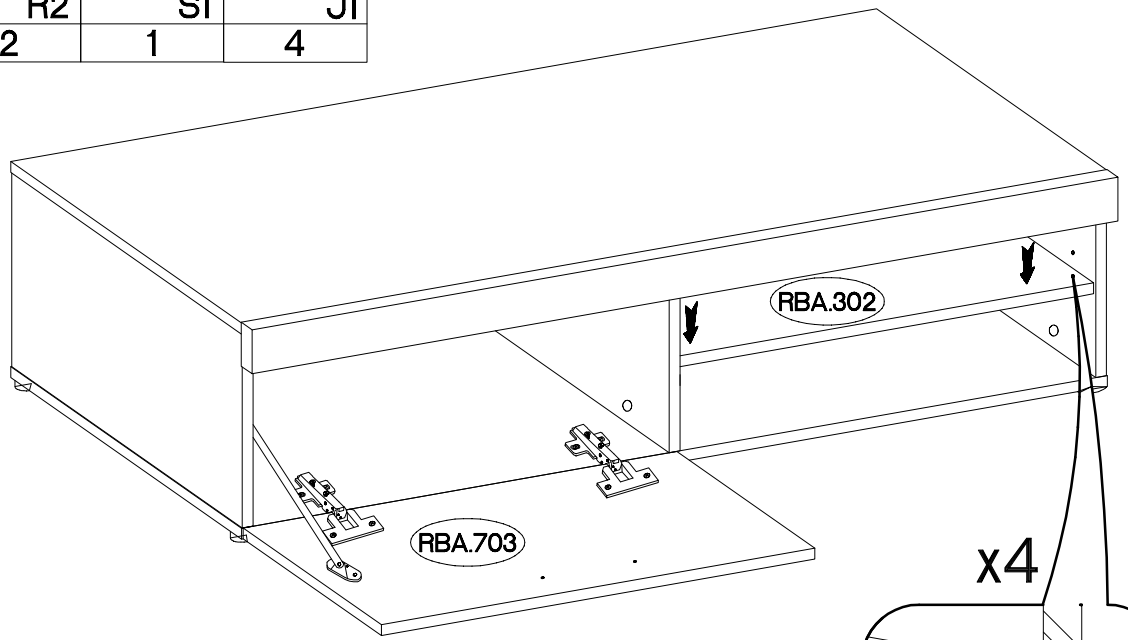
| |
|--|
|  K13 |
| 1 |






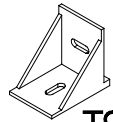

7

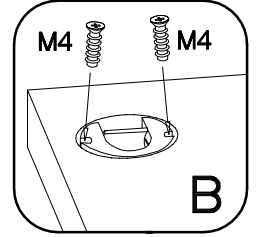
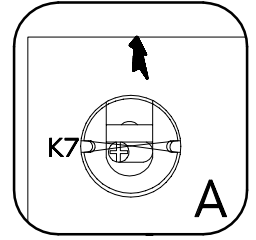
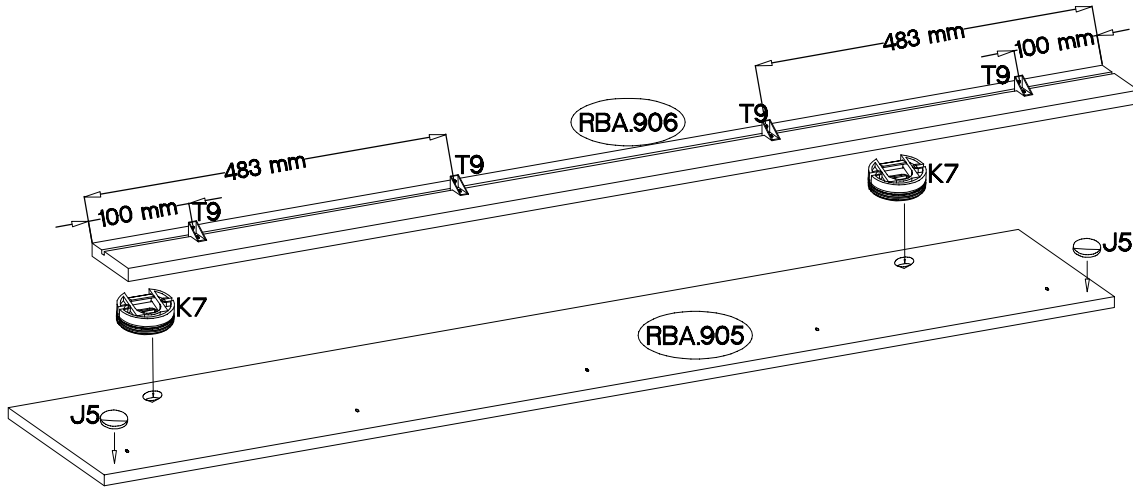
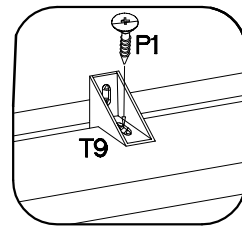
| | | | |
|--|--|--|---|
|  E | +4.0x30mm  R2 | L=128mm  S1 |  J1 |
| 12 | 2 | 1 | 4 |

| |
|--|
| +3.0x16mm  P11 |
| 3 |




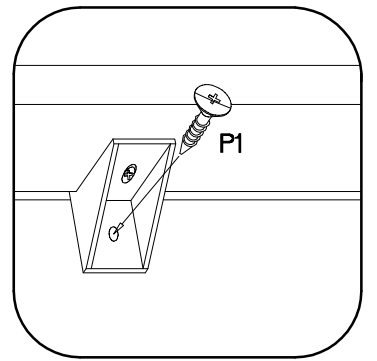
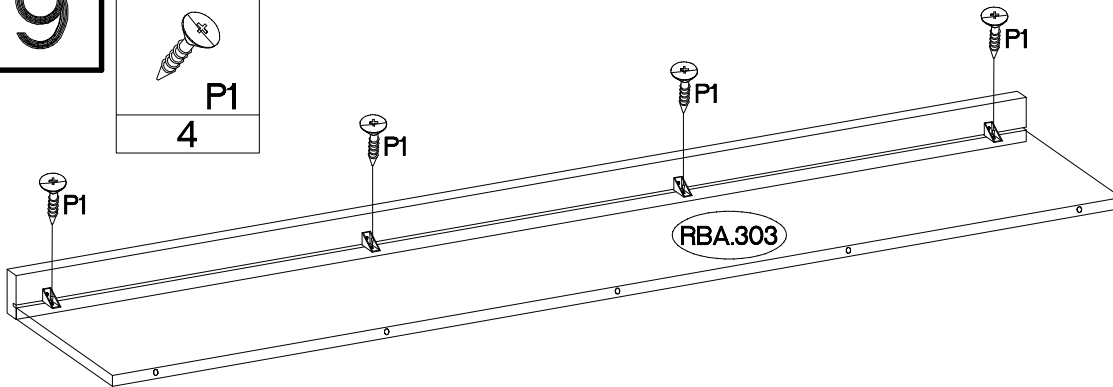
8

| | | | | |
|--|--|---|--|---|
|  |  $\pm 6,3 \times 9 \text{ mm}$ |  $\pm 7/2 \text{ mm}$ |  |  $\pm 4.0 \times 16 \text{ mm}$ |
| K7 | M4 | J5 | T9 | P1 |
| 2 | 4 | 2 | 4 | 4 |


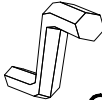


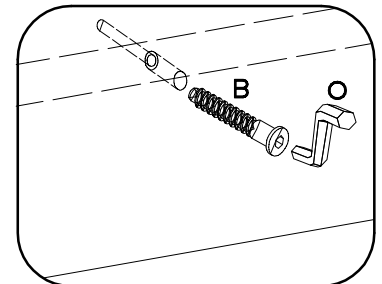
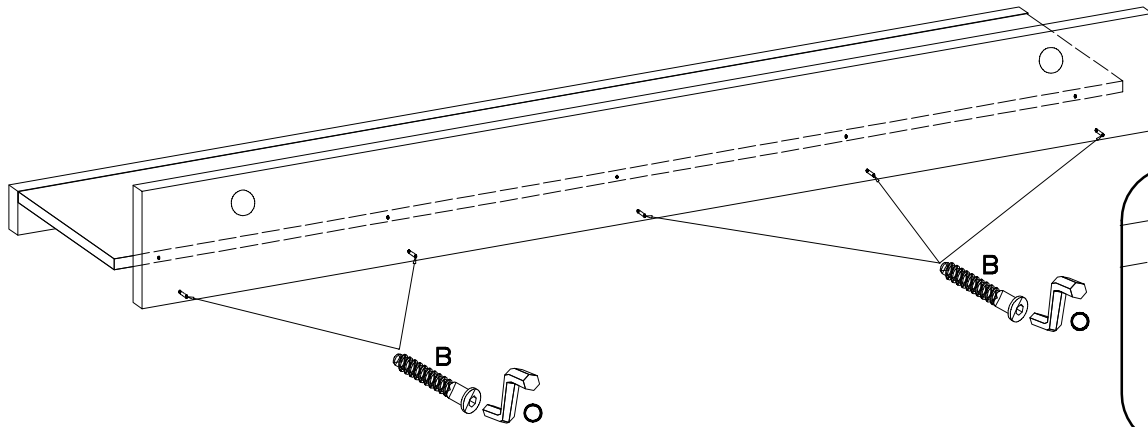
9

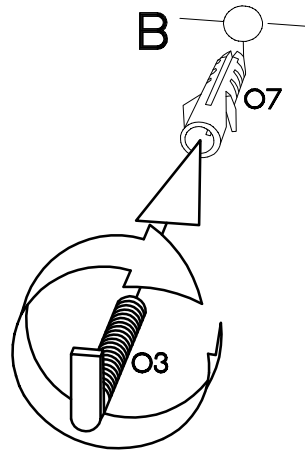
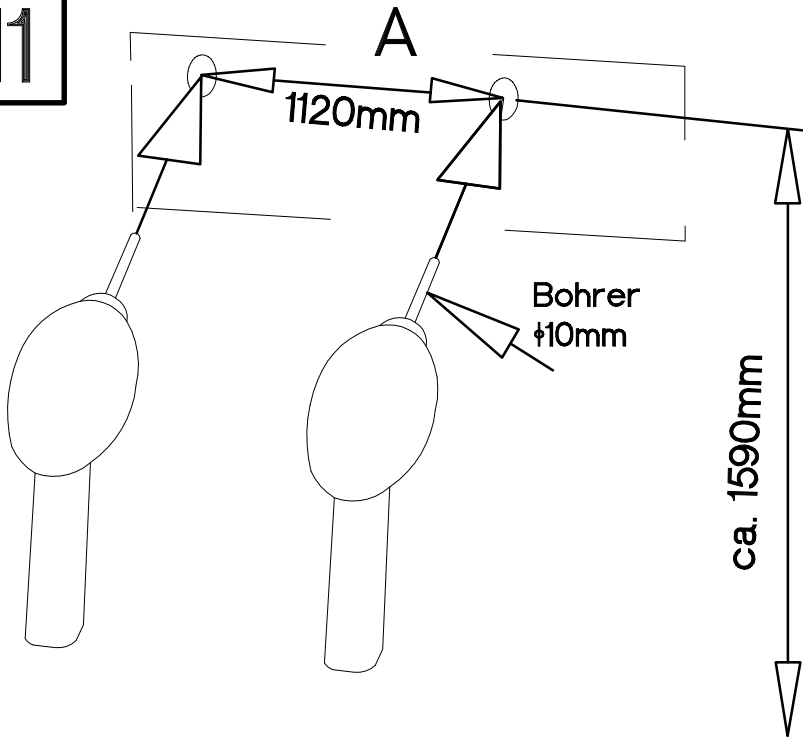
| |
|--|
|  $\pm 4.0 \times 16 \text{ mm}$ |
| P1 |
| 4 |





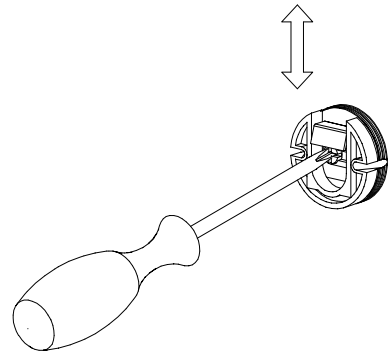
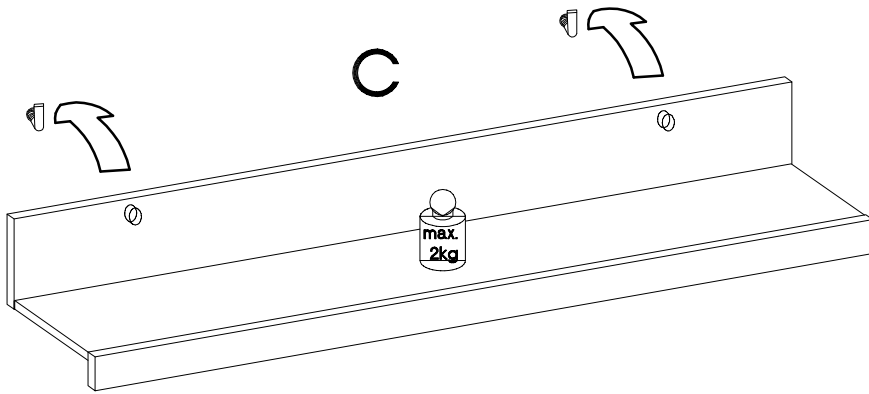
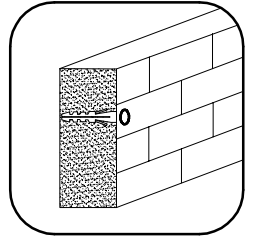
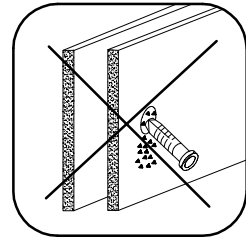
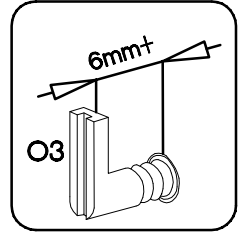
10

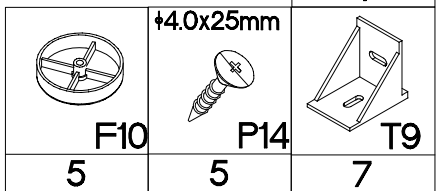
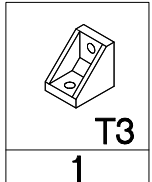
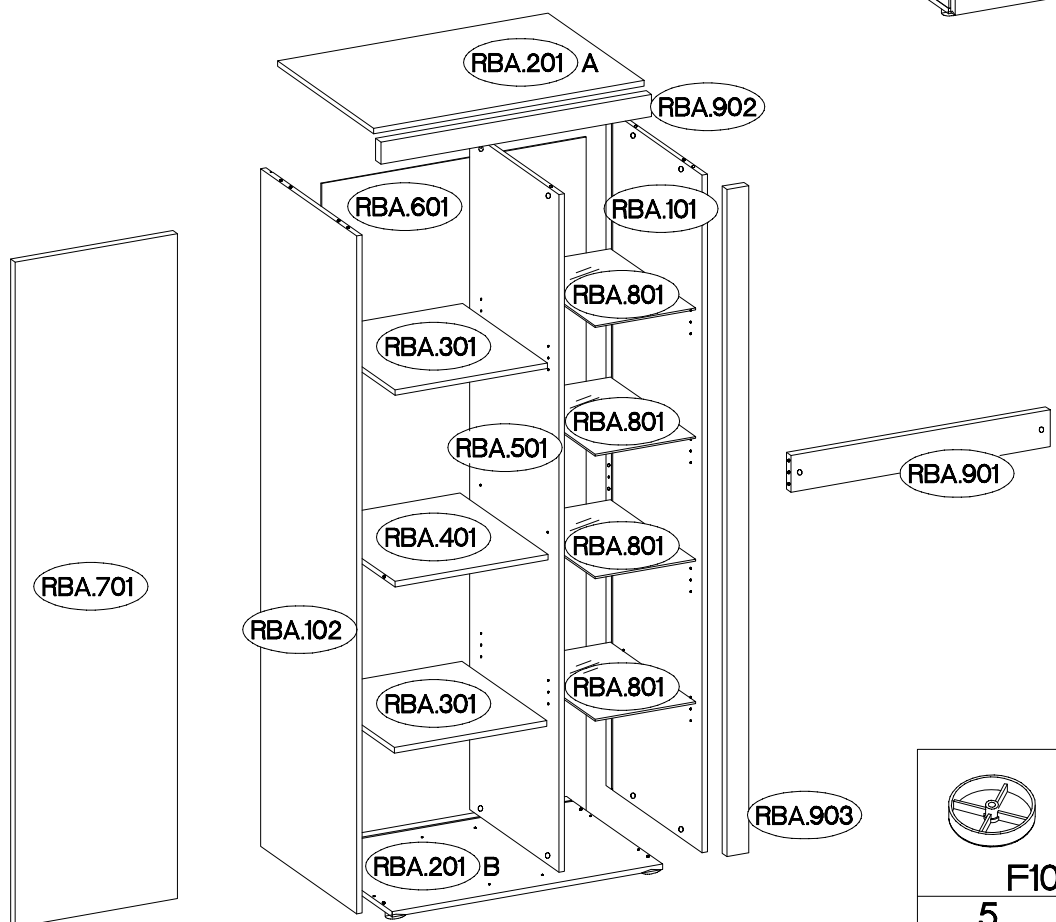
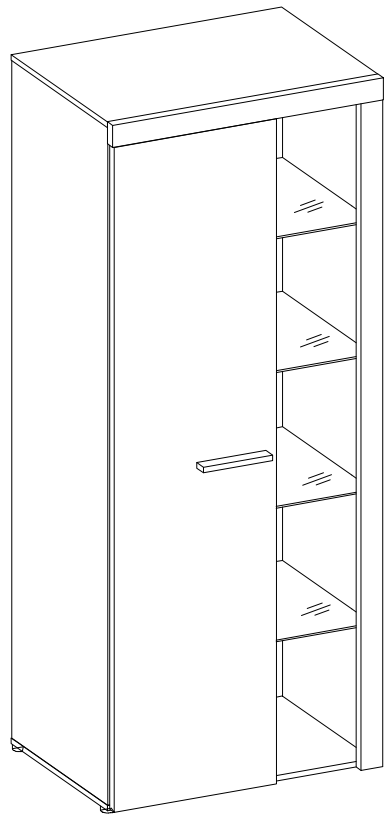
| | |
|--|---|
|  $6,4 \times 50 \text{ mm}$ |  |
| B | O |
| 5 | 1 |





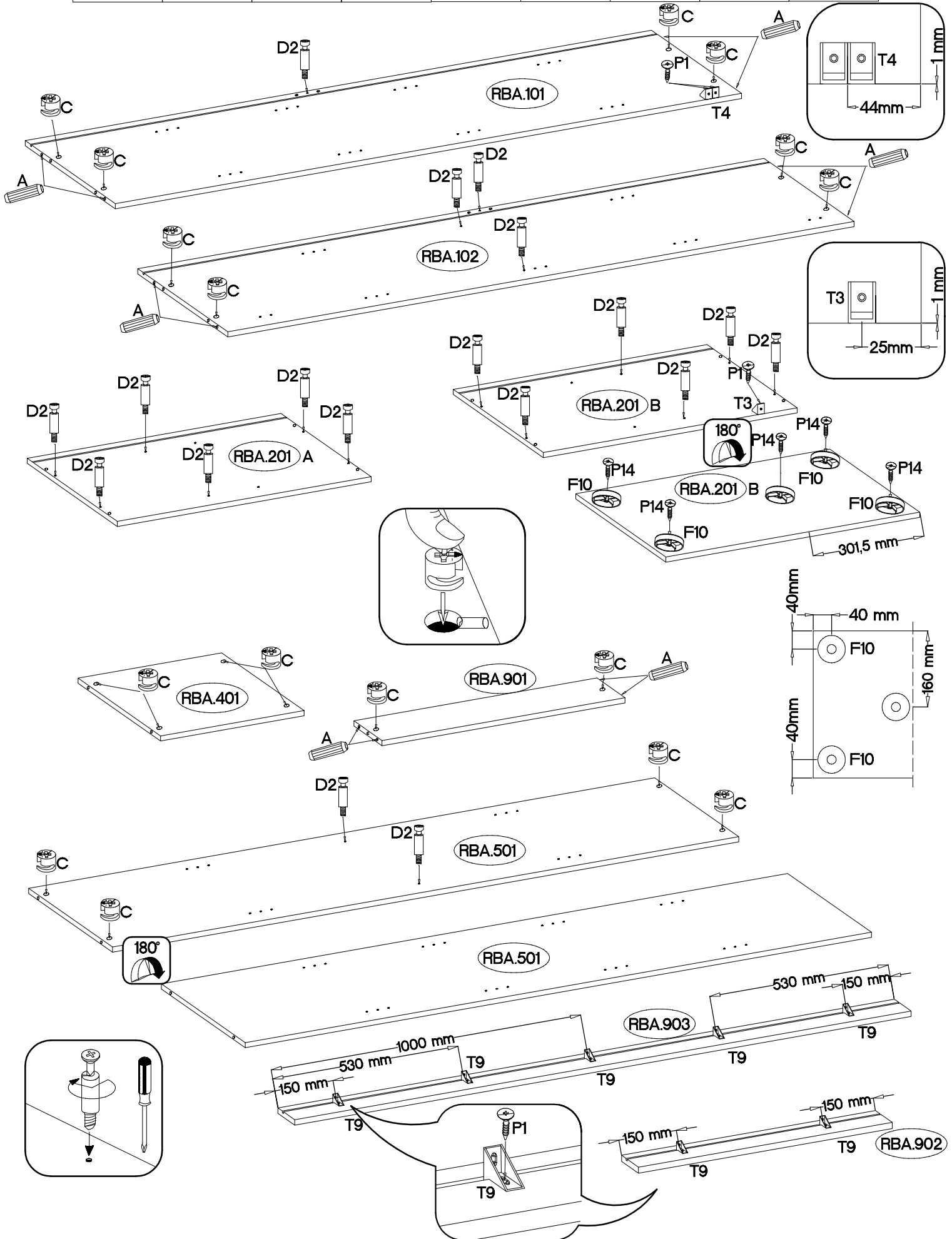
| | |
|--|--|
| 5/45mm | $\phi 10 \times 50\text{mm}$ |
|  |  |
| O3 | O7 |
| 2 | 2 |



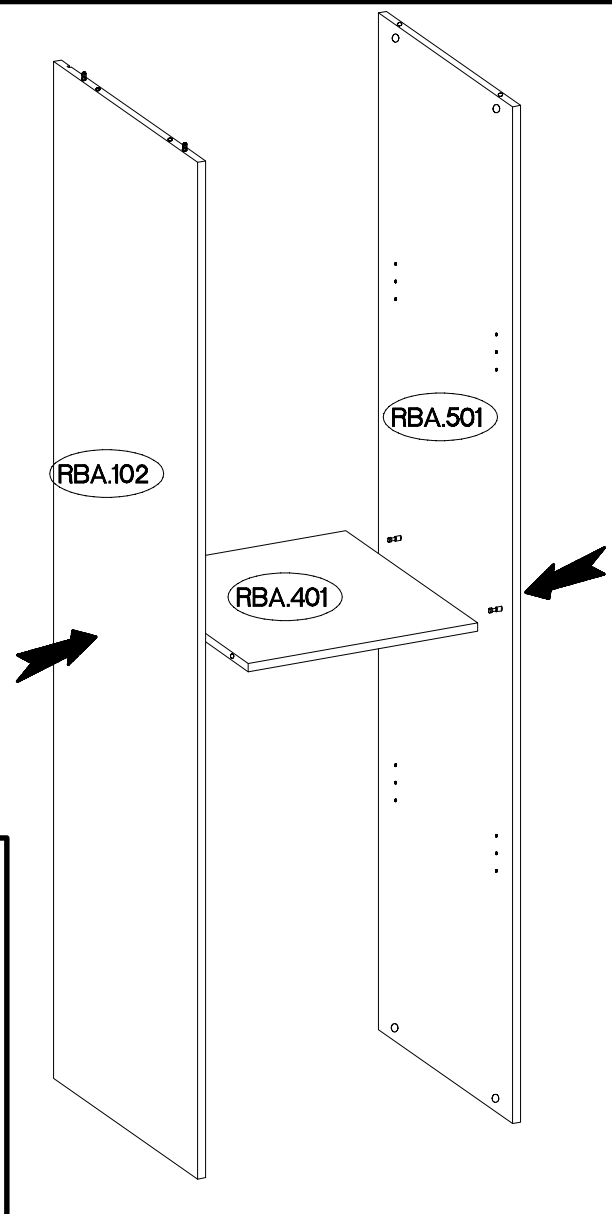


| | | | | | | | | |
|---------------------|---------------------|------------------|-------------------|---------------------|--------|---------------------|-------------------|------------------|
| +10x50mm O7 | L9 | E | J12 | +3.5x13mm P5 | L2 | +4.0x16mm P1 | H=0 H | T4 |
| 1 | 1 | 16 | 16 | 7 | 10 | 20 | 3 | 1 |
| +4.0x30mm R2 | +3.0x20mm P7 | L=20mm D2 | +15/12mm C | +8x30mm A | 12 | L=128mm S1 | +5/16mm J3 | +35/0mm G |
| 2 | 9 | 18 | 18 | 12 | 12 | 1 | 8 | 3 |

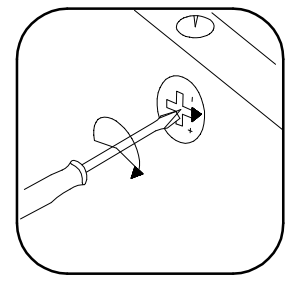
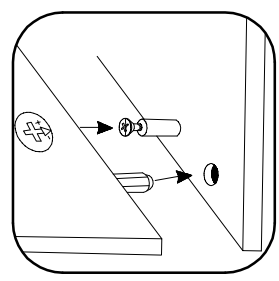
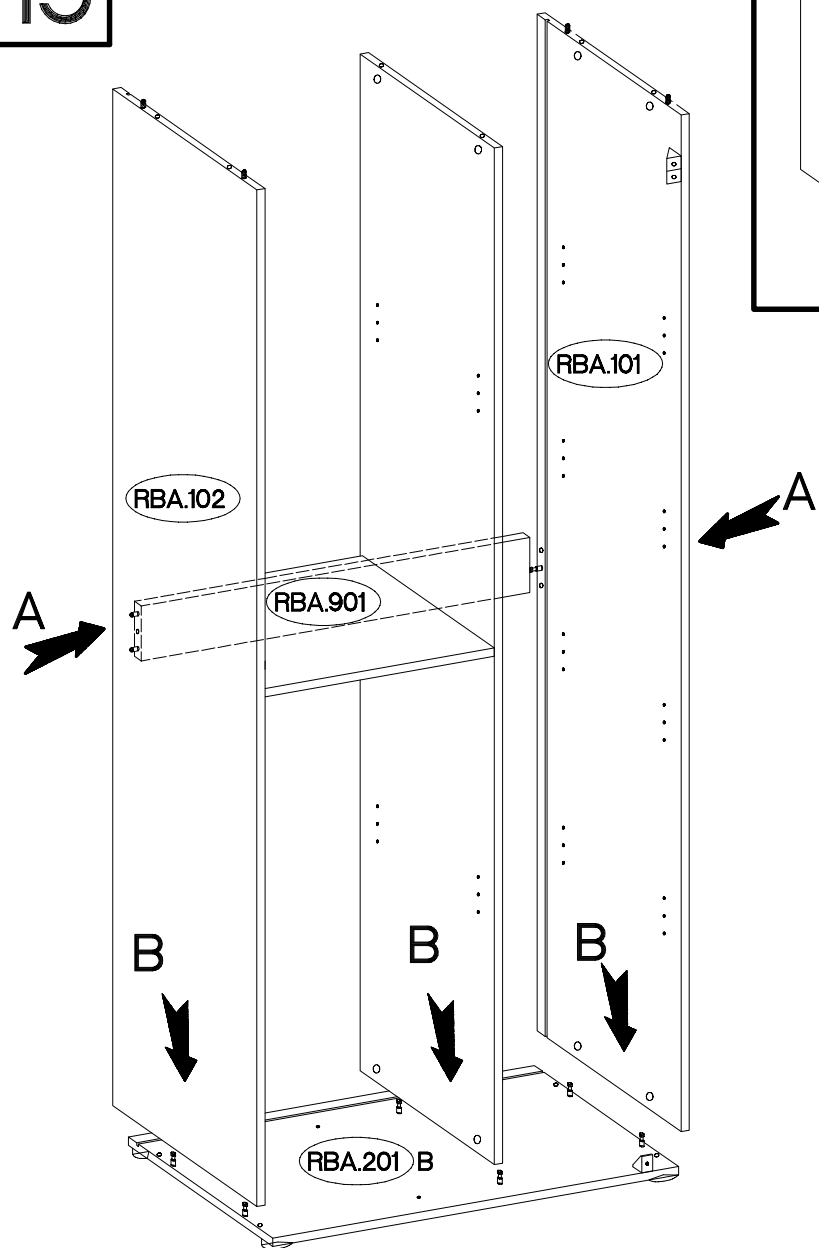
| | | | | | | | | |
|--------|----------|---------|----|----|----|-----------|-----|-----------|
| L=20mm | +15/12mm | +8x30mm | | | | +4.0x16mm | | +4.0x25mm |
| | | | | | | | | |
| D2 | C | A | T9 | T4 | T3 | P1 | F10 | P14 |
| 18 | 18 | 12 | 7 | 1 | 1 | 10 | 5 | 5 |



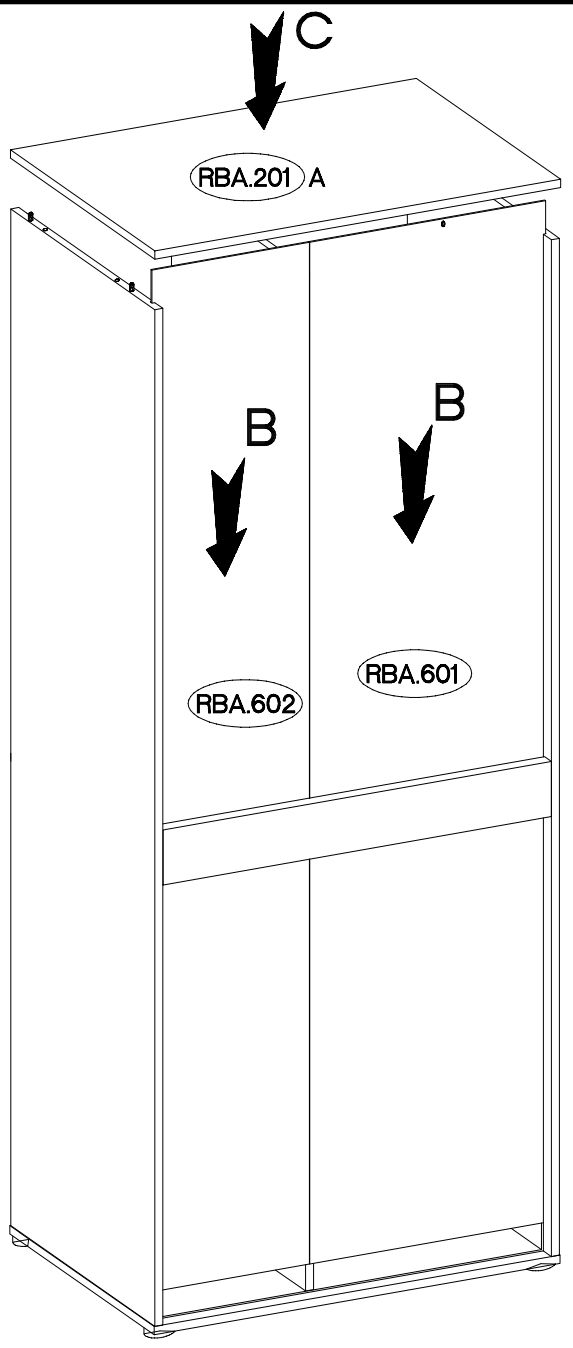
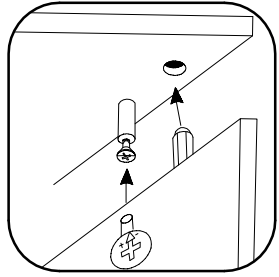
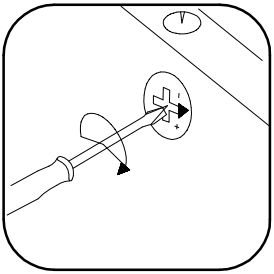
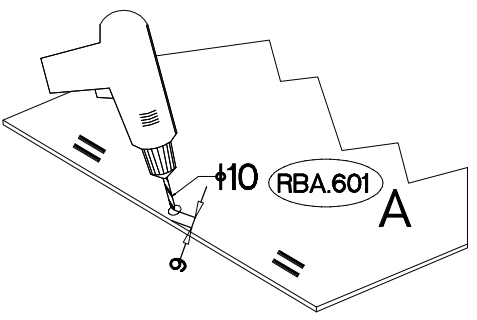
14



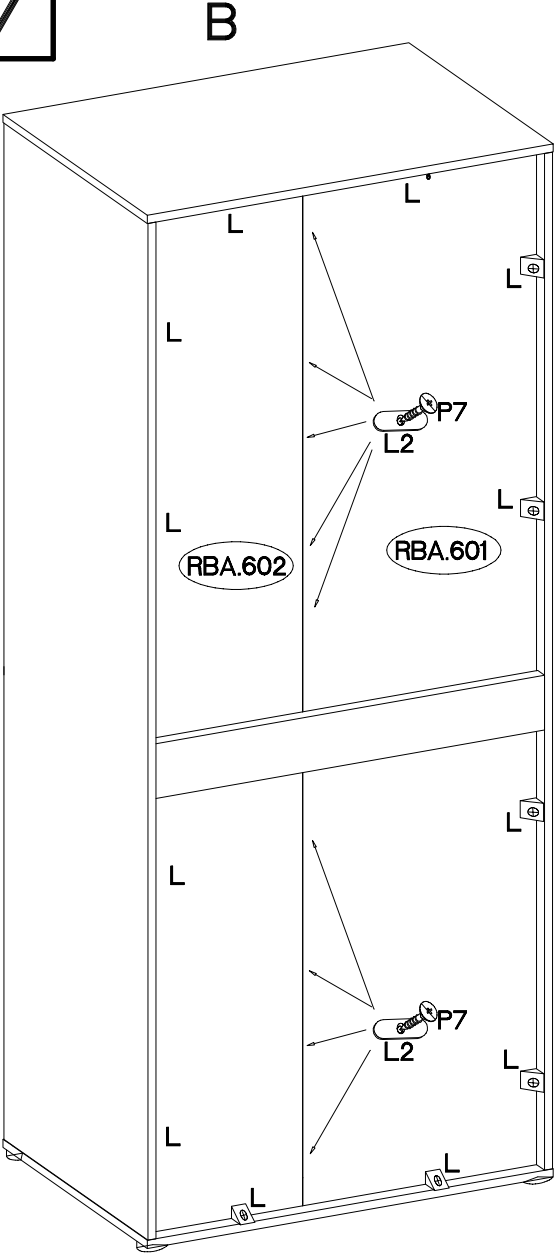
15



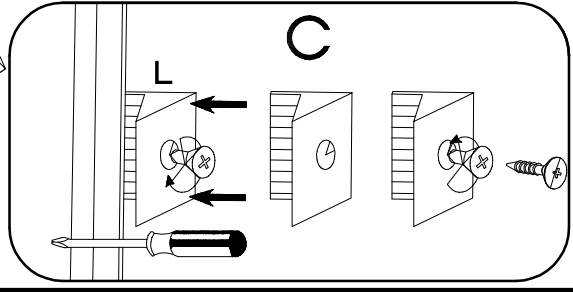
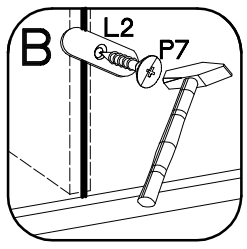
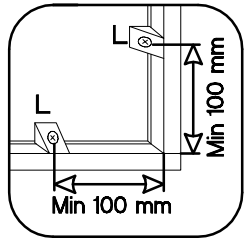
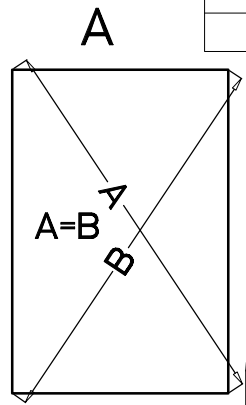
16




17

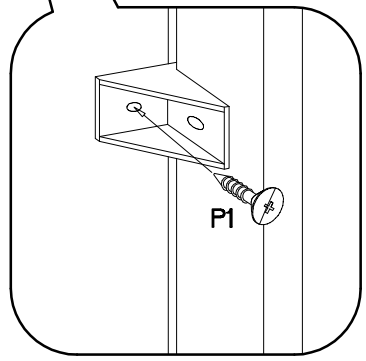
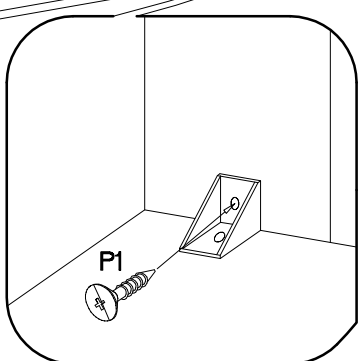
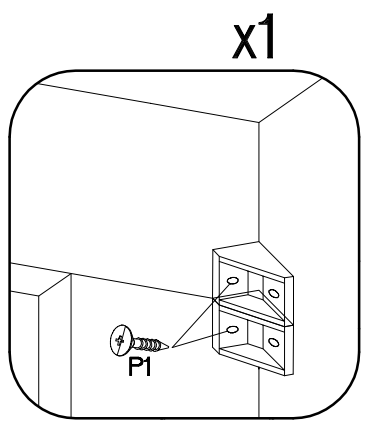
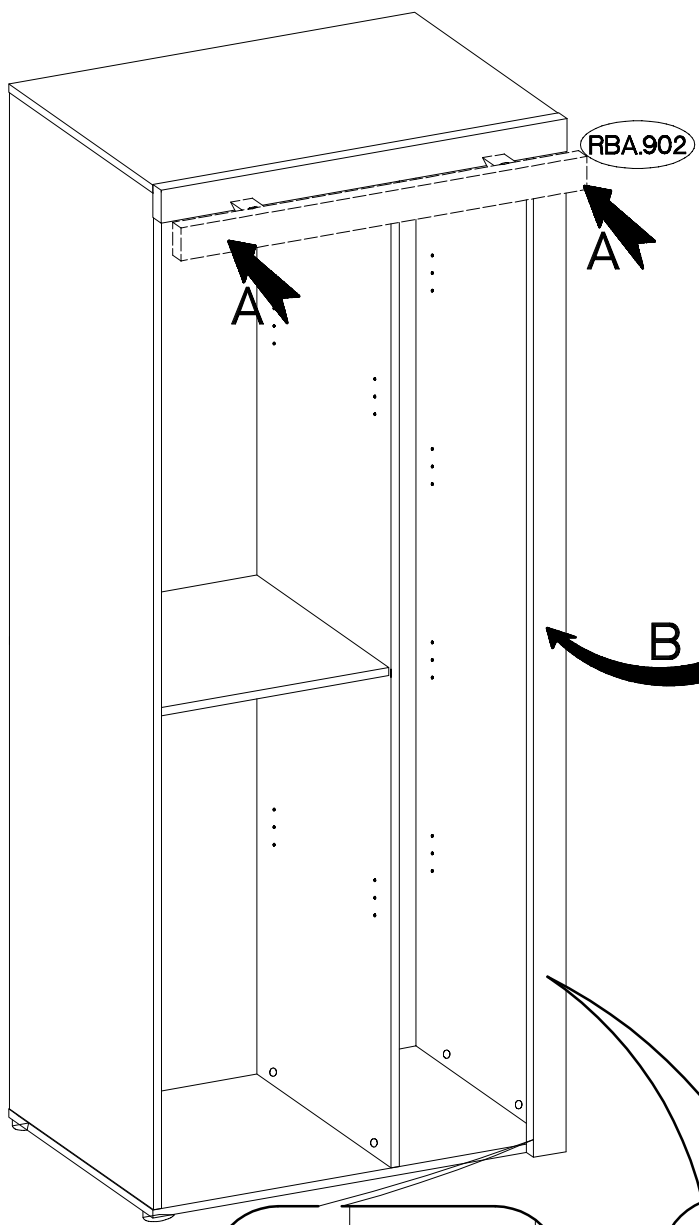


| | | |
|--------------------------------|----|----|
| $\phi 3.0 \times 20 \text{mm}$ | | |
| | | |
| P7 | L2 | L |
| 9 | 9 | 12 |

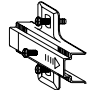
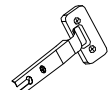



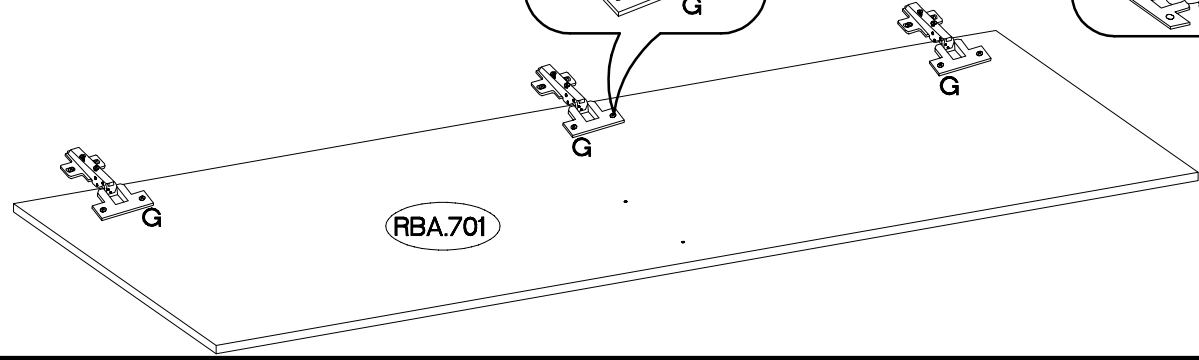
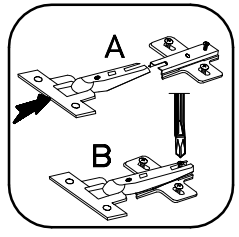
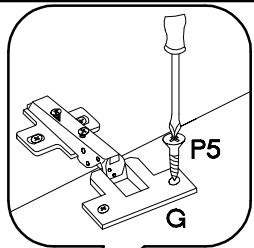
18

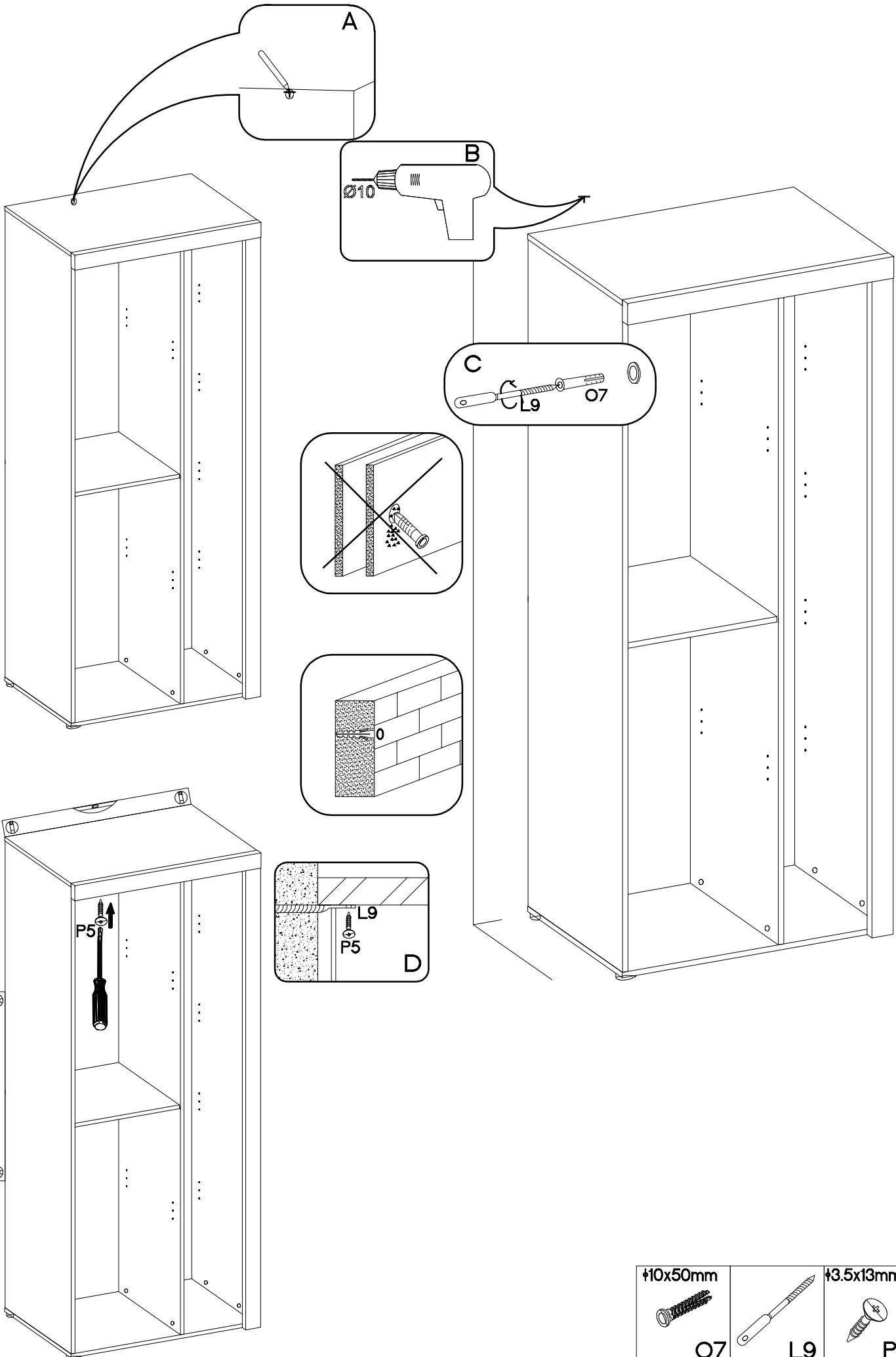
| |
|--|
| 4.0x16mm |
|  |
| P1 |
| 10 |



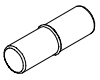



19

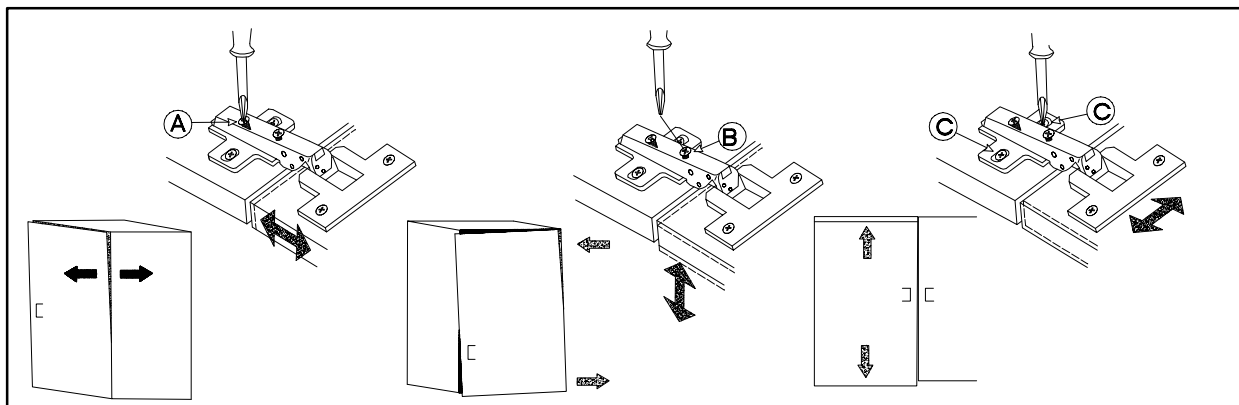
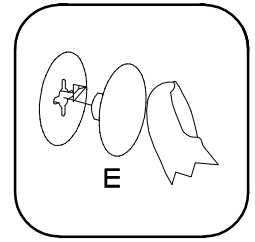
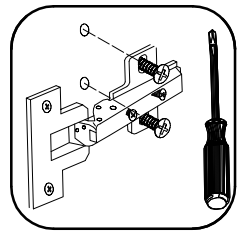
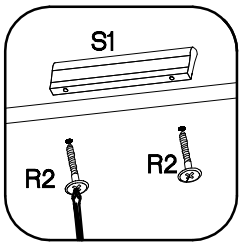
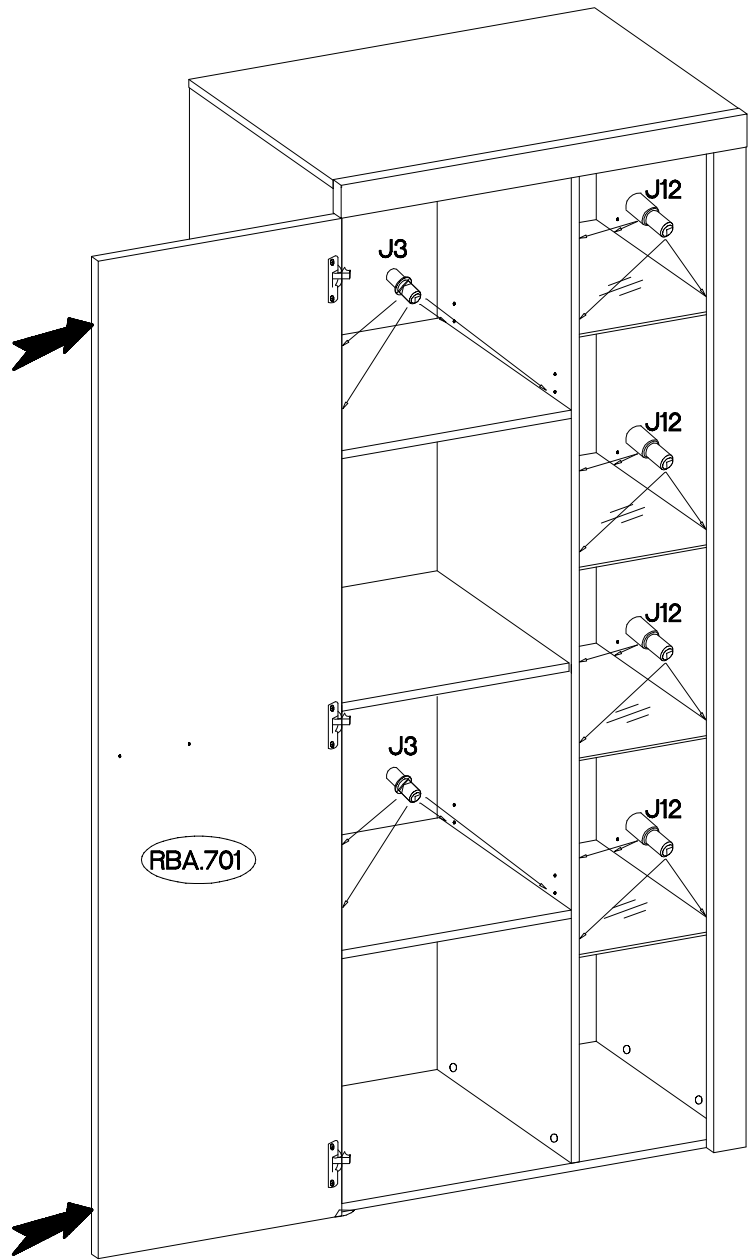
| | | |
|---|---|---|
| H=0 | 35/0mm | 3.5x13mm |
|  |  |  |
| H | G | P5 |
| 3 | 3 | 6 |

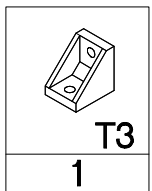
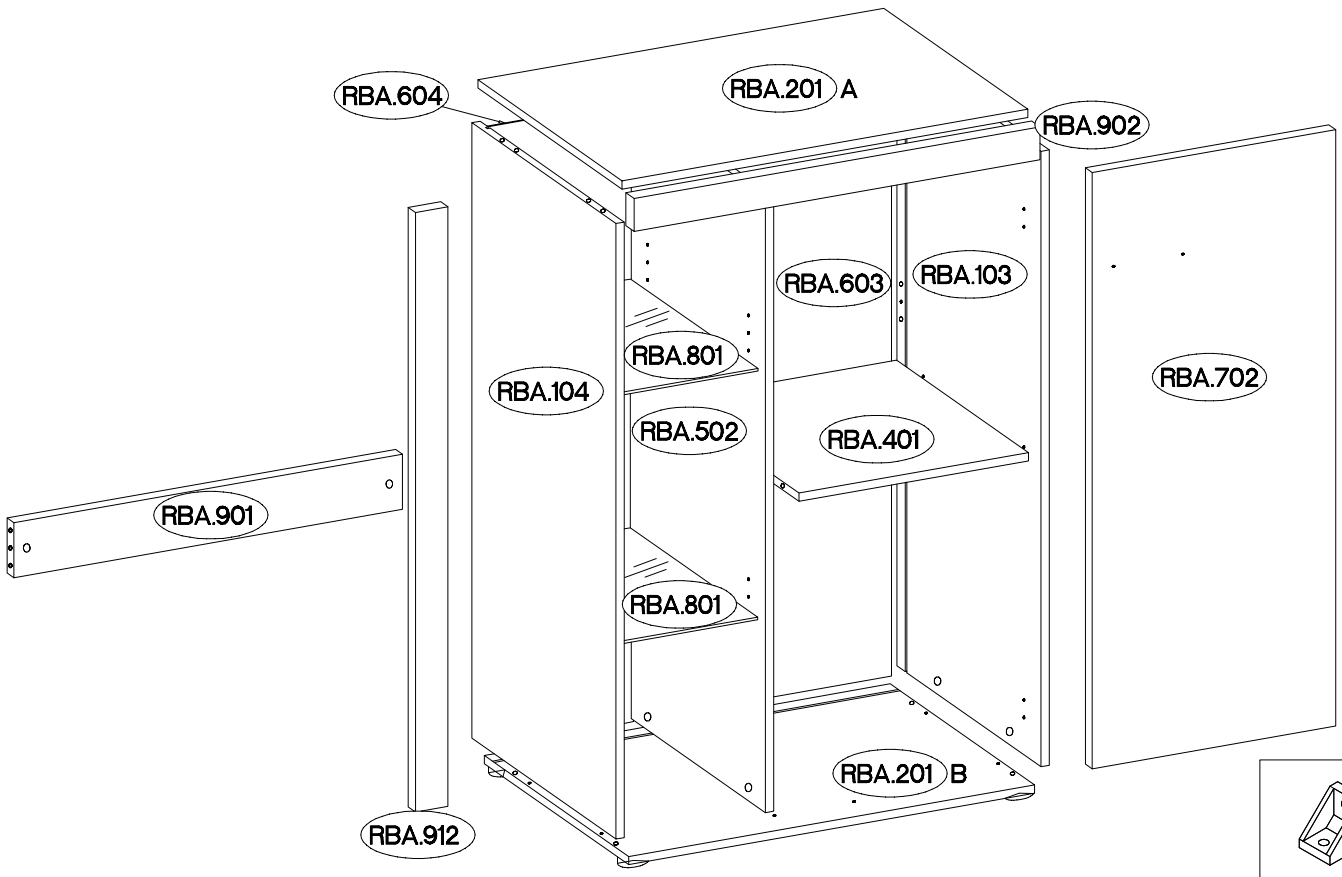
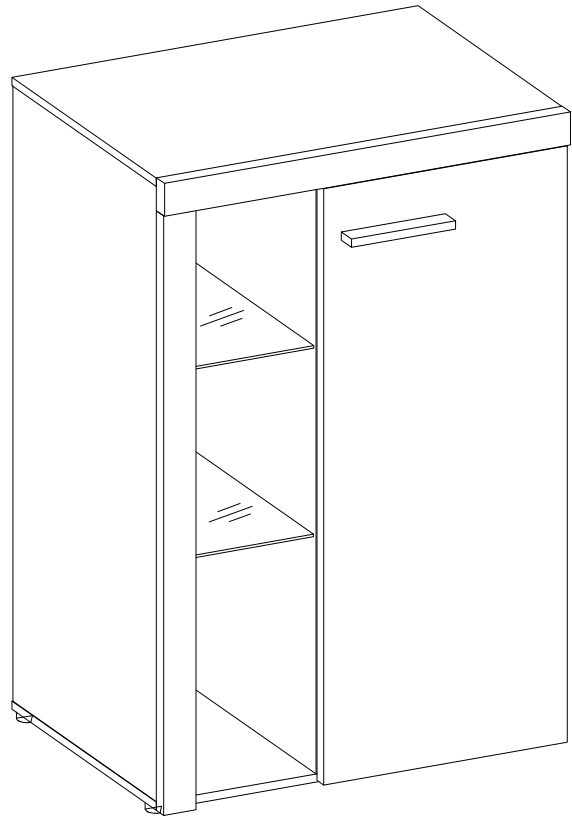




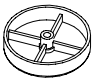


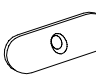

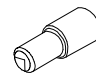

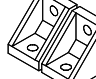





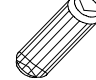
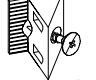
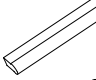

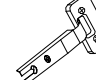



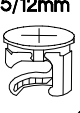
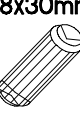
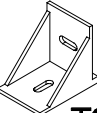
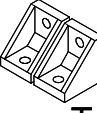
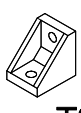

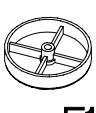

21

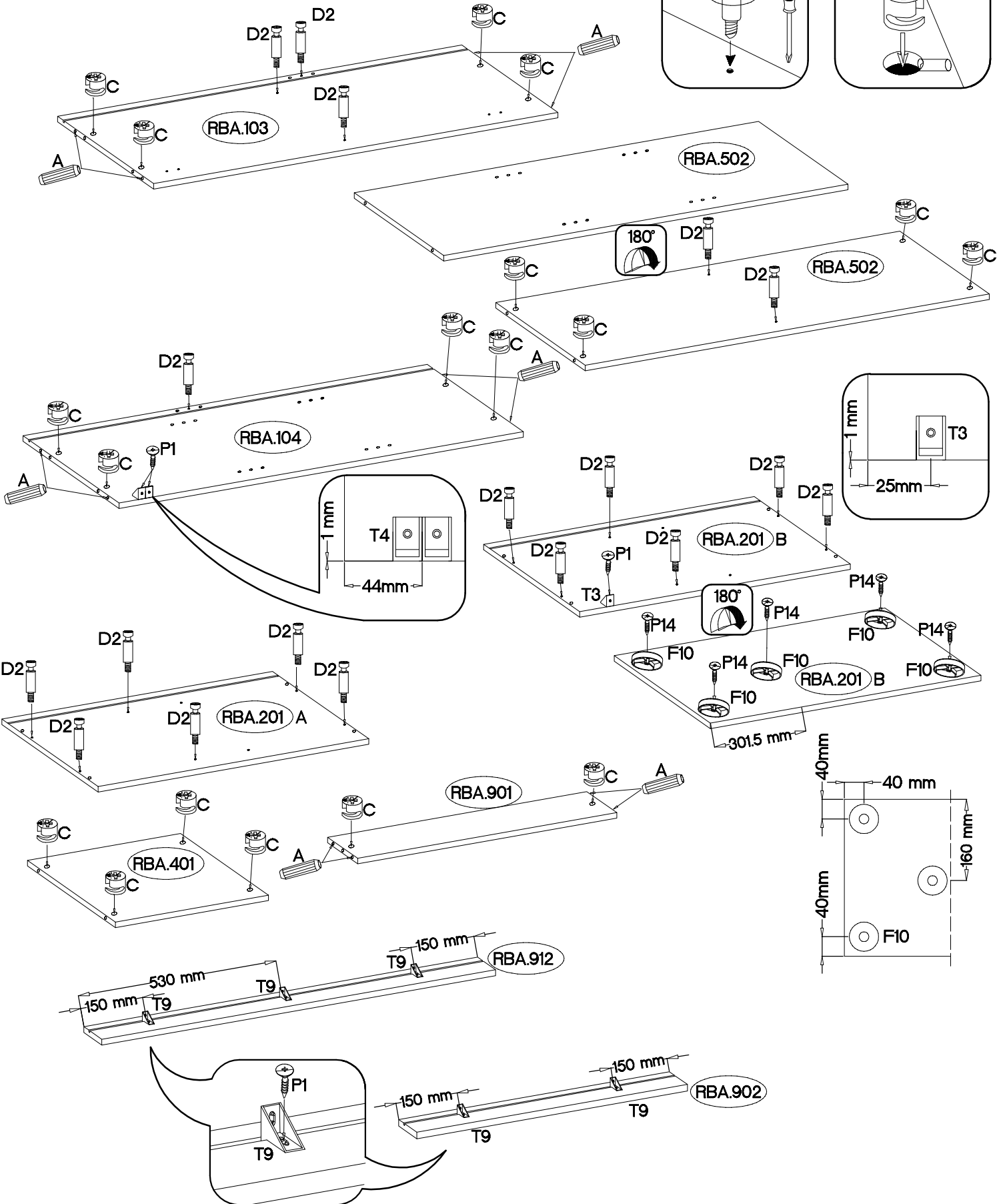
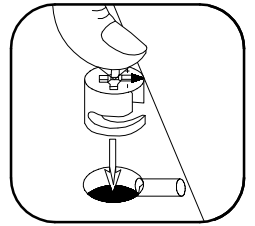
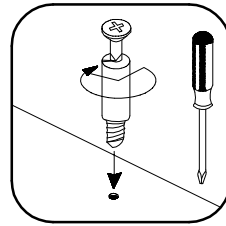
| | | | | | | |
|---------|--|--|-----------|---------|--|--|
| ±5/16mm |  |  | ±4.0x30mm | L=128mm |  |  |
| | J3 | E | | | R2 | S1 |
| | 8 | 16 | | | 2 | 1 |



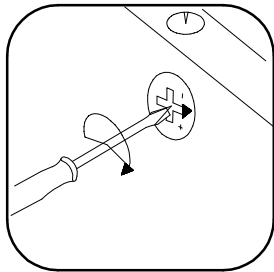
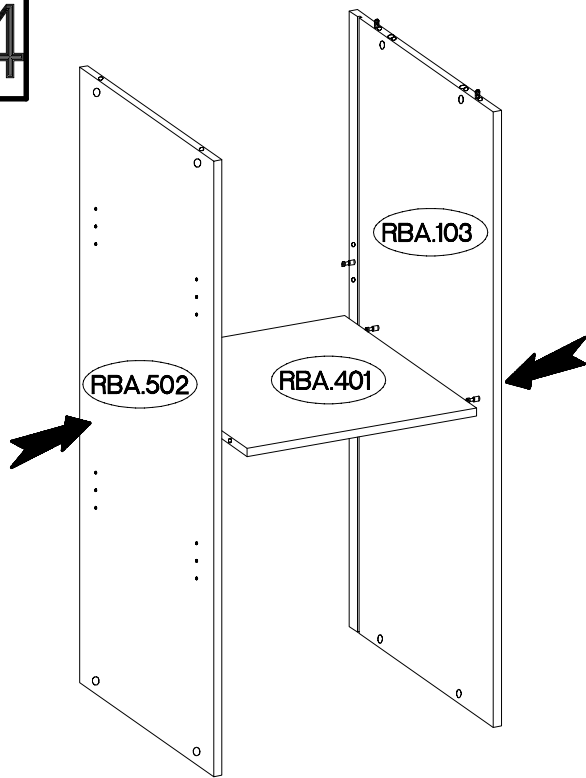


| | | | | | | | | | |
|--|---|---|---|--|--|---|---|--|--|
|  O7 1 |  L9 1 |  F10 5 |  P14 5 |  H 2 |  L2 7 |  P5 5 |  J12 8 |  T9 5 |  T4 1 |
|  R2 2 |  P1 16 |  P7 7 |  D2 18 |  C 18 |  A 12 |  L 10 |  S1 1 |  E 16 |  G 2 |

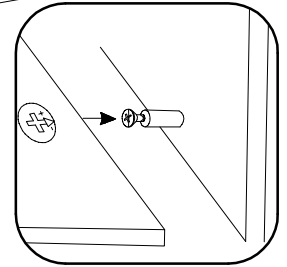
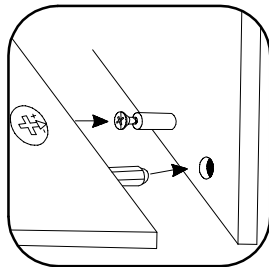
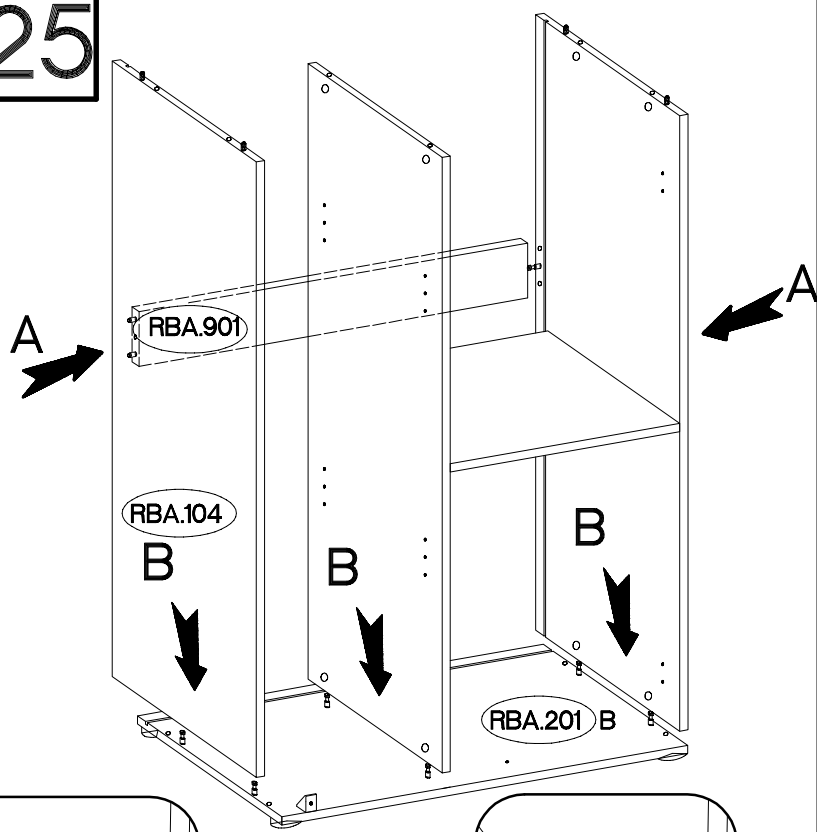
| | | | | | | | | |
|--|---|--|---|---|---|--|--|---|
| L=20mm  D2 18 | ±15/12mm  C 18 | ±8x30mm  A 12 |  T9 5 |  T4 1 |  T3 1 | ±4.0x16mm  P1 8 |  F10 5 | ±4.0x25mm  P14 5 |
|--|---|--|---|---|---|--|--|---|



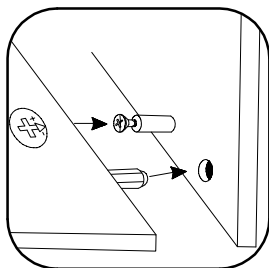
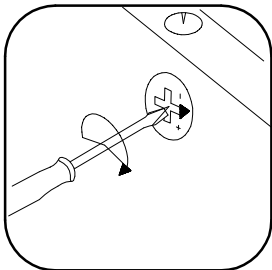
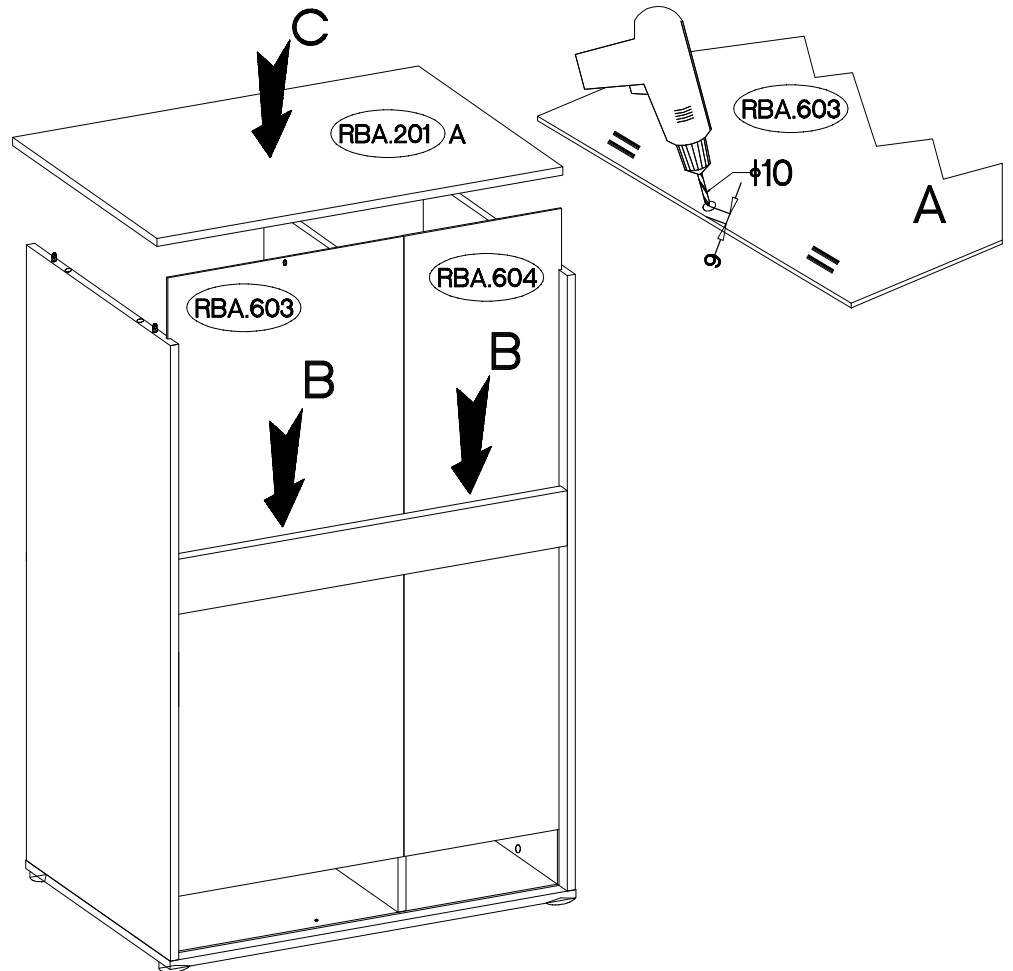
24



25



26



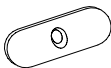
27

±3.0x20mm



P7

11



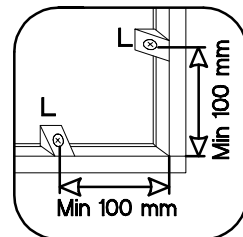
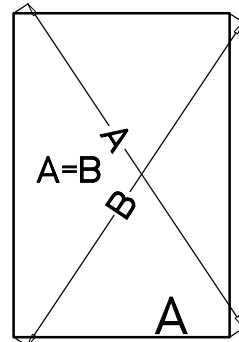
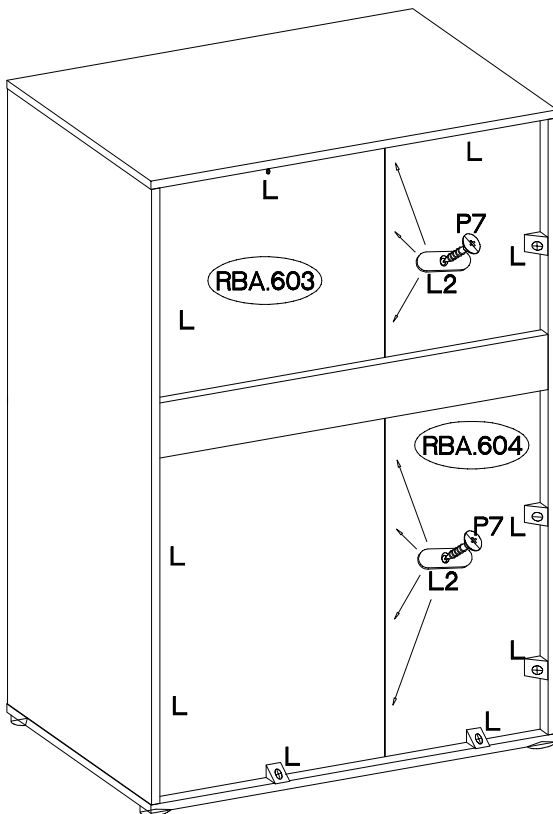
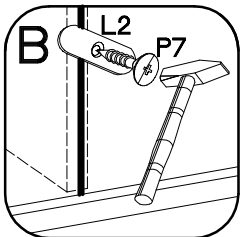
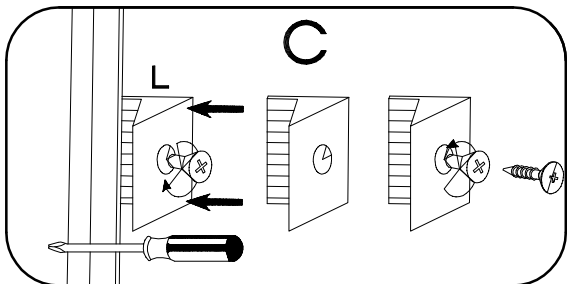
L2

7



L

10



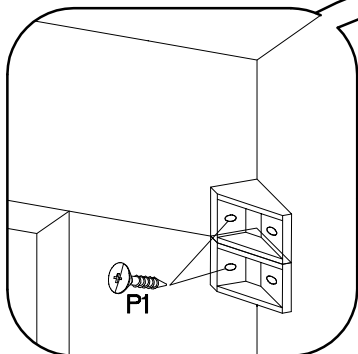
28

±4.0x16mm

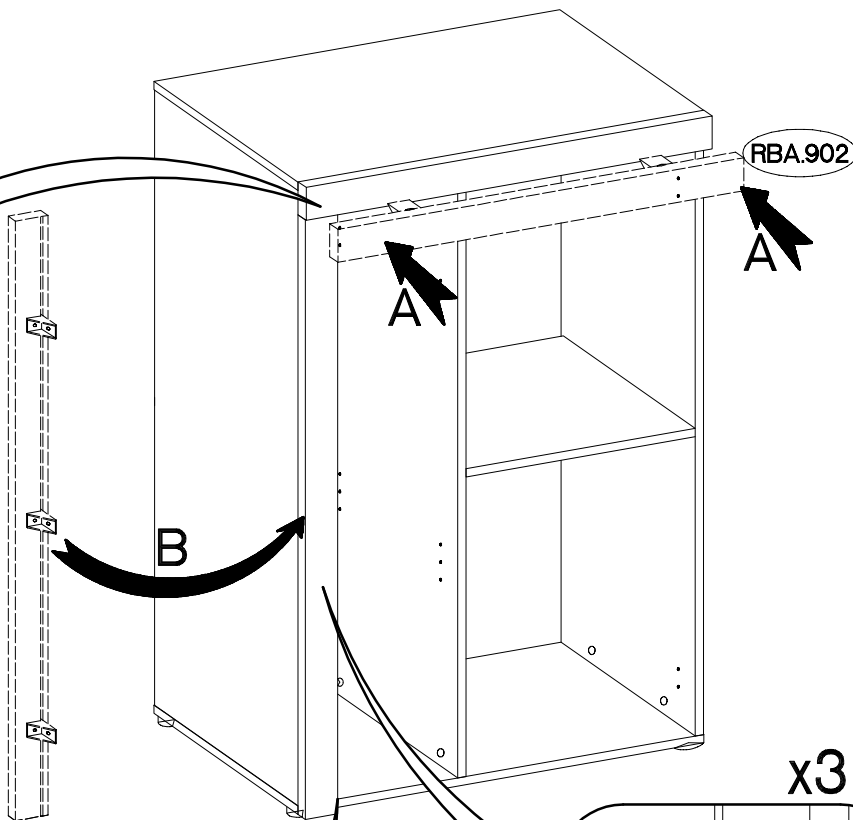


P1

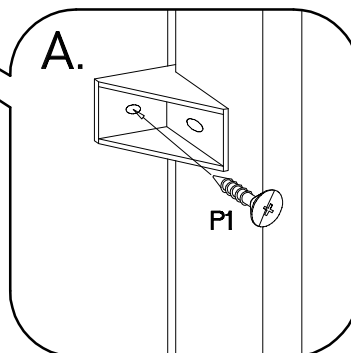
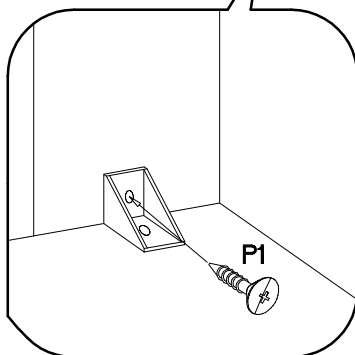
8



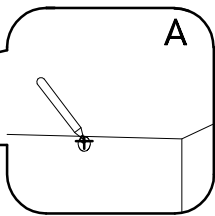
x1






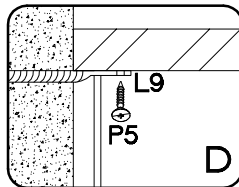
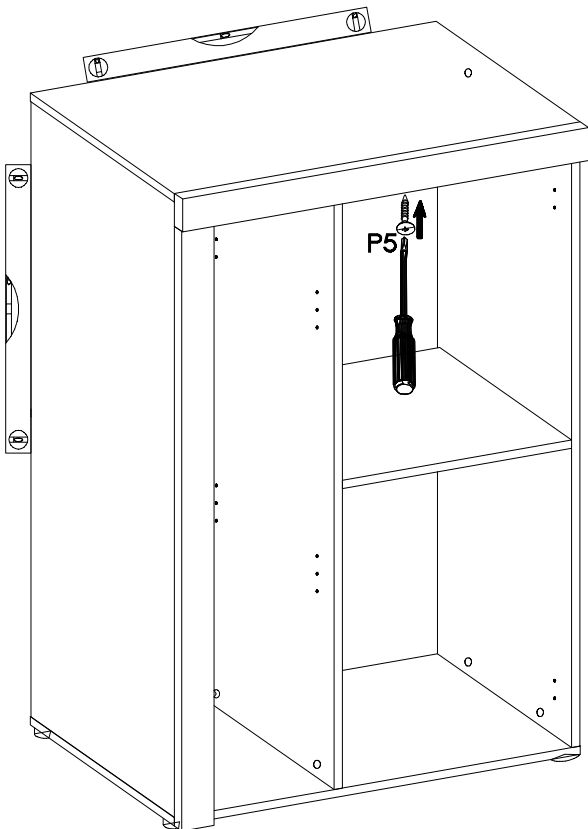
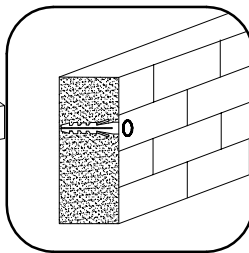
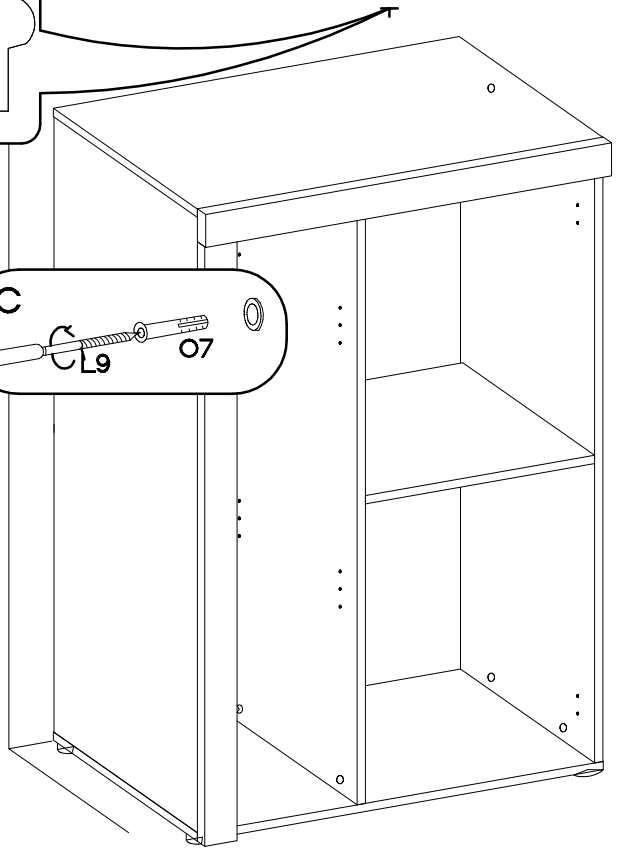
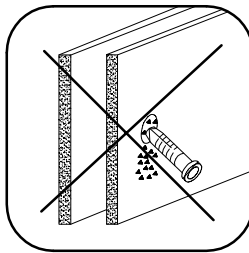
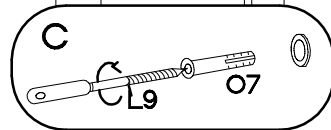
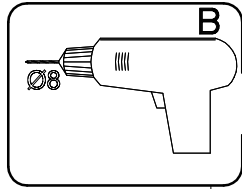
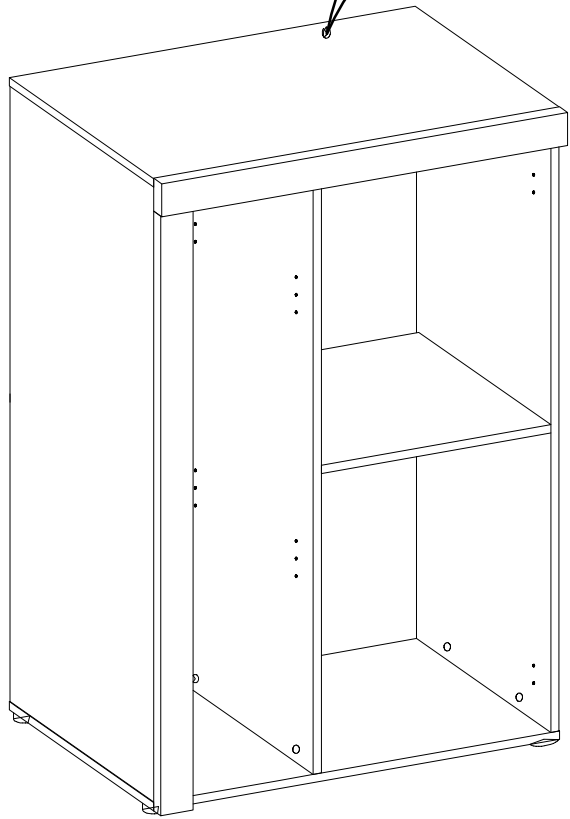
x1






x3

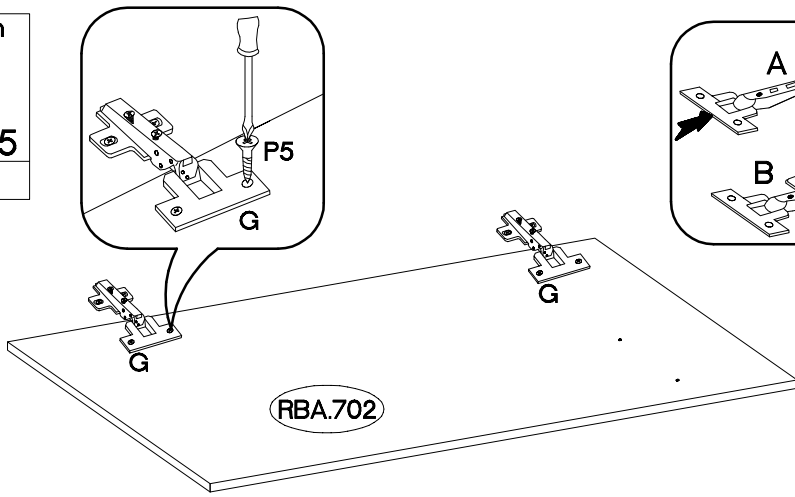


| | | |
|---|---|---|
| $\pm 10 \times 50 \text{mm}$  O7 |  L9 | $\pm 3.5 \times 13 \text{mm}$  P5 |
| 1 | 1 | 1 |







30

| | | |
|--|--|---|
| H=0  H | +35/0mm  G | +3.5x13mm  P5 |
| 2 | 2 | 4 |



31

| | | | |
|--|--|--|--|
|  E |  J12 | +4.0x30mm  R2 | L=128mm  S1 |
| 16 | 8 | 2 | 1 |

