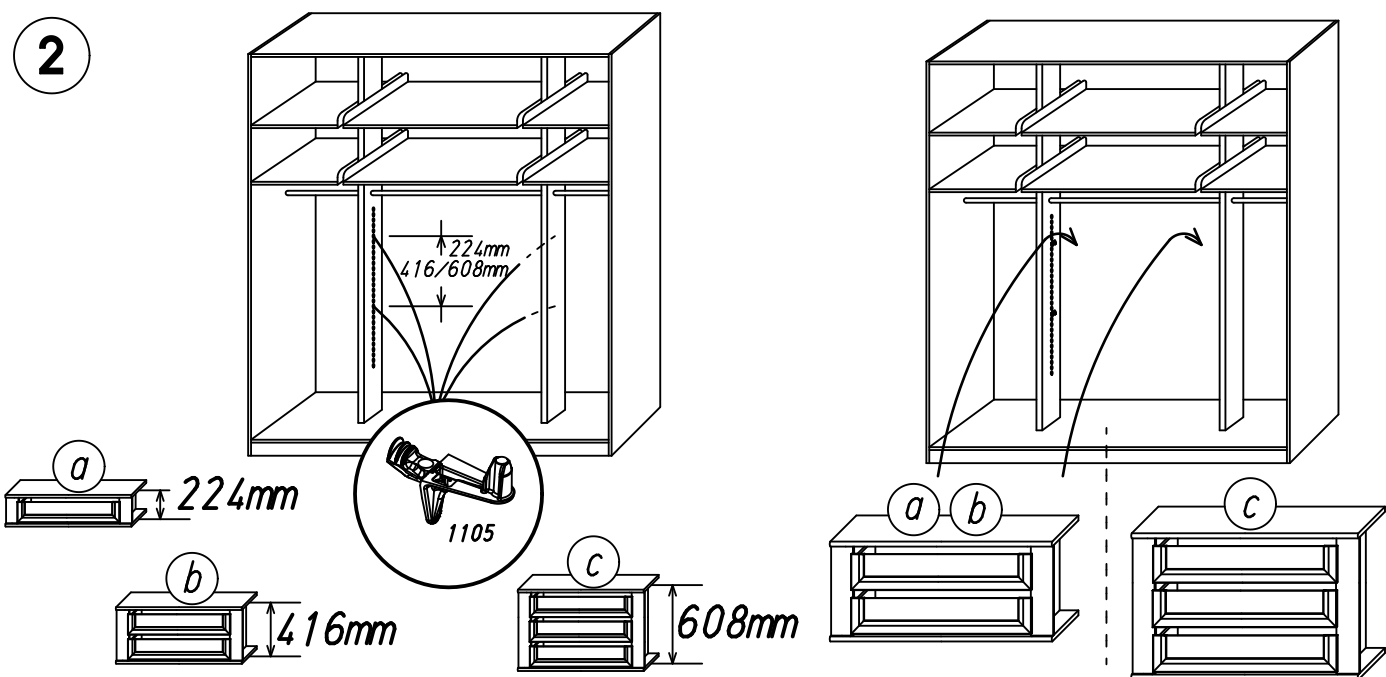
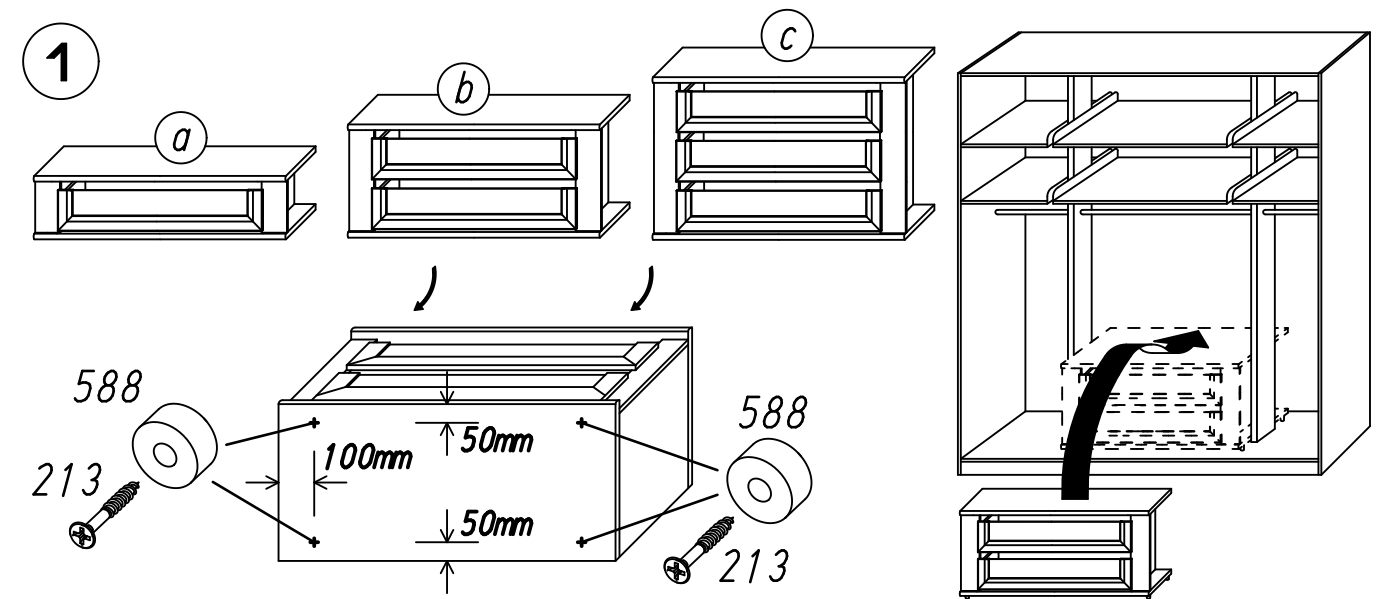
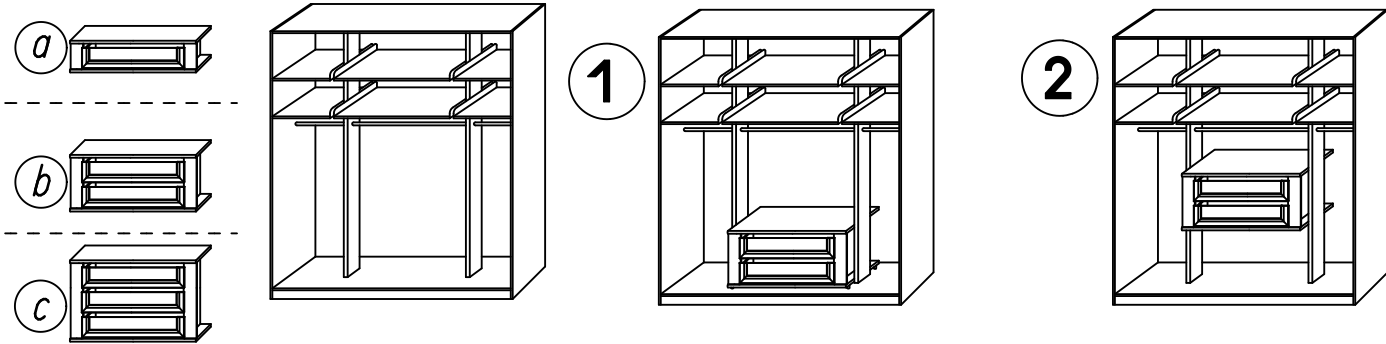
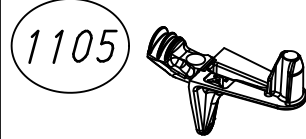
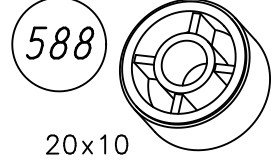
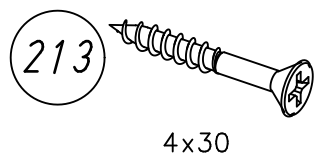


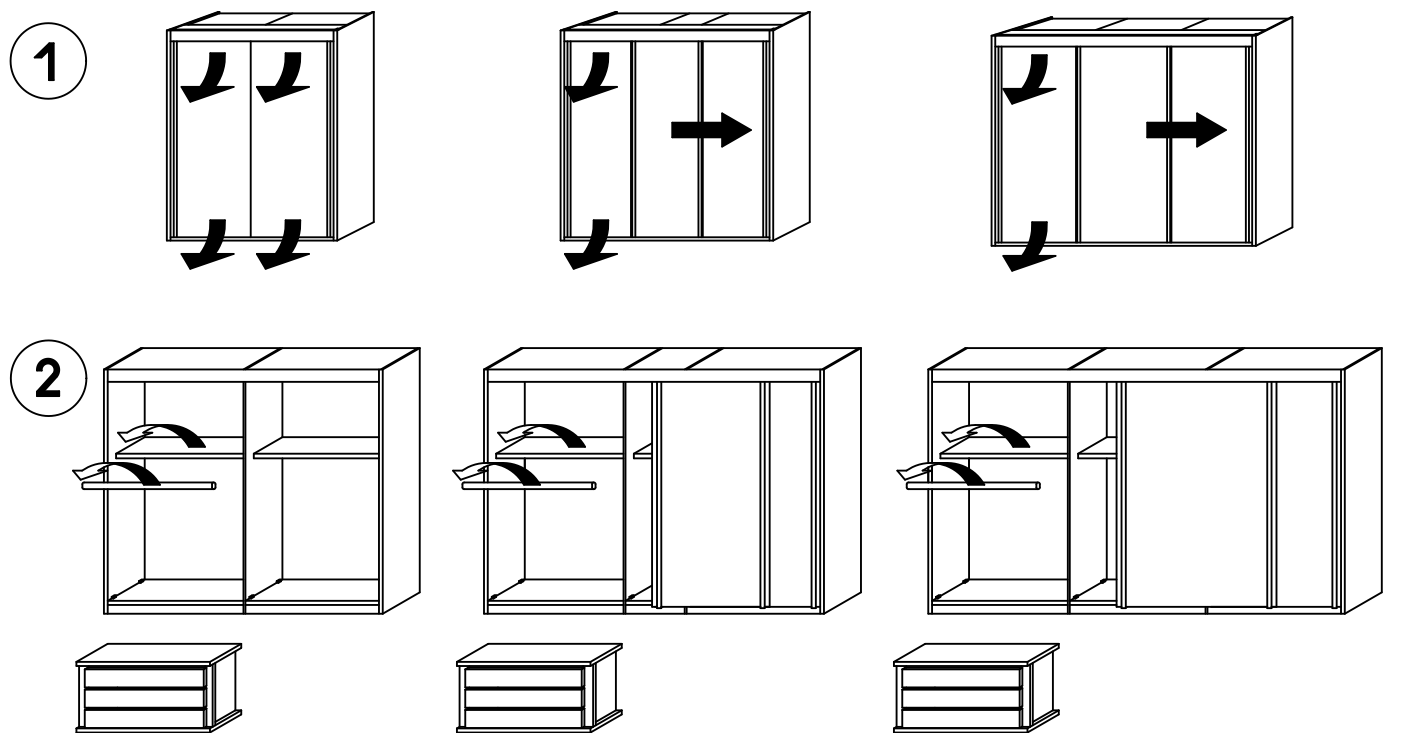
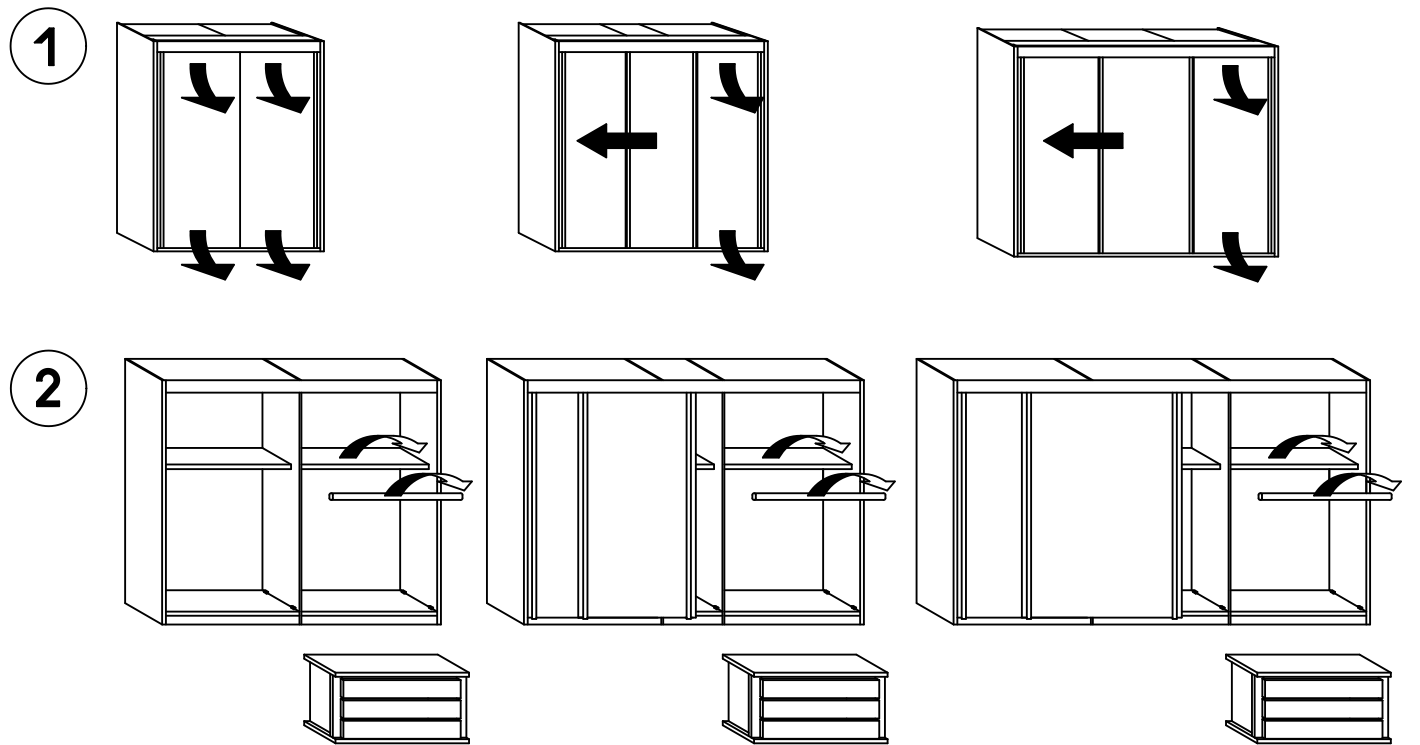
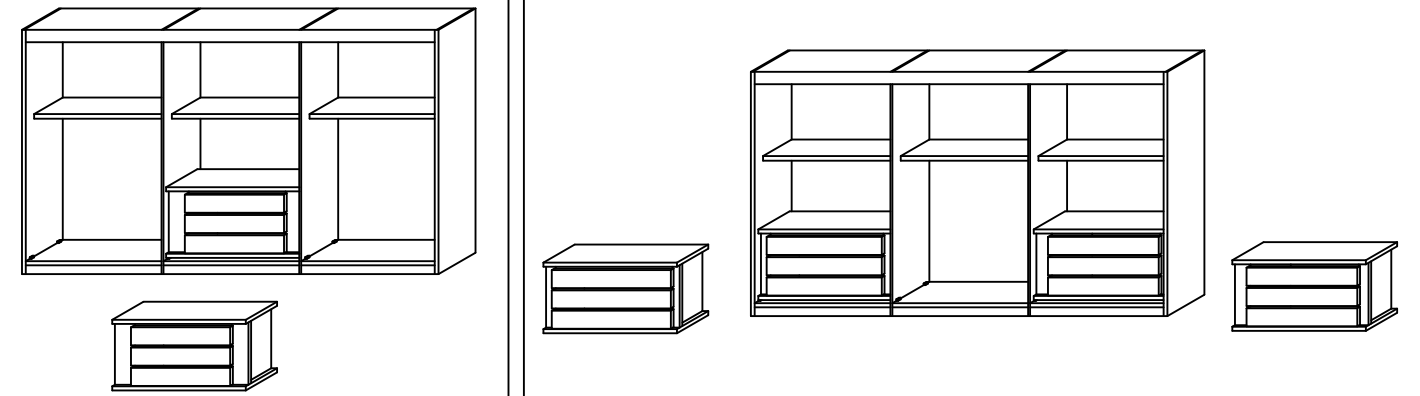
1.

ME108\_06

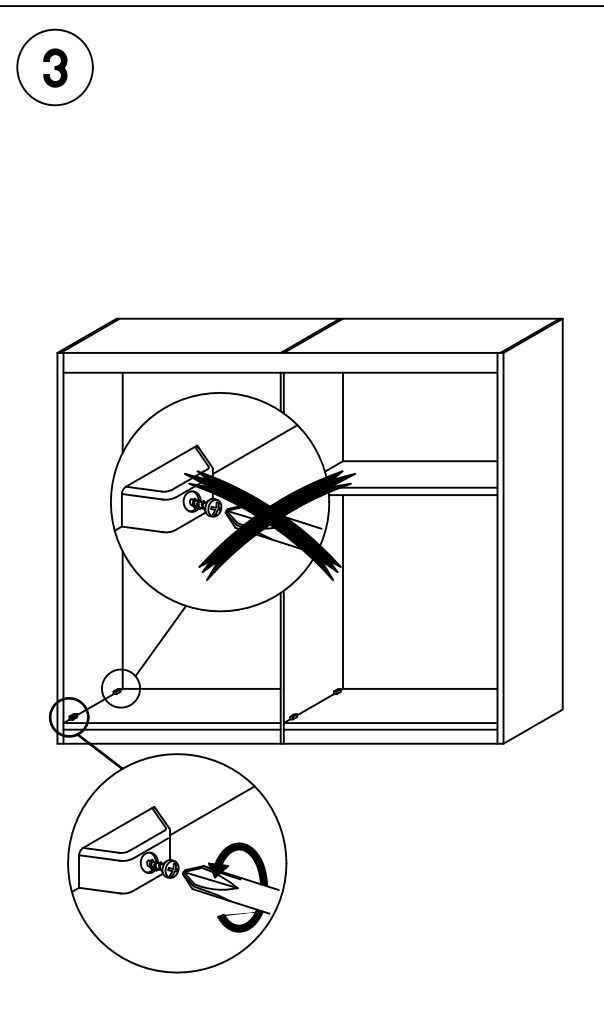
rauch



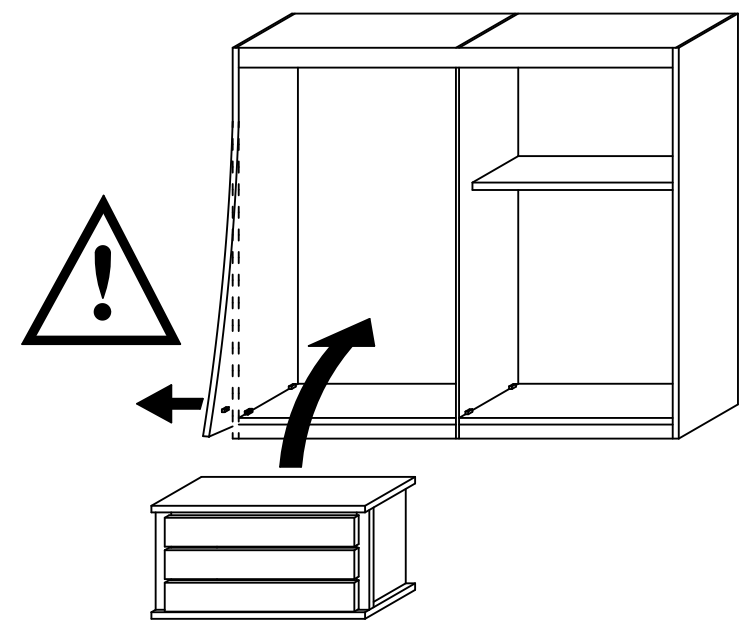
2.



3.

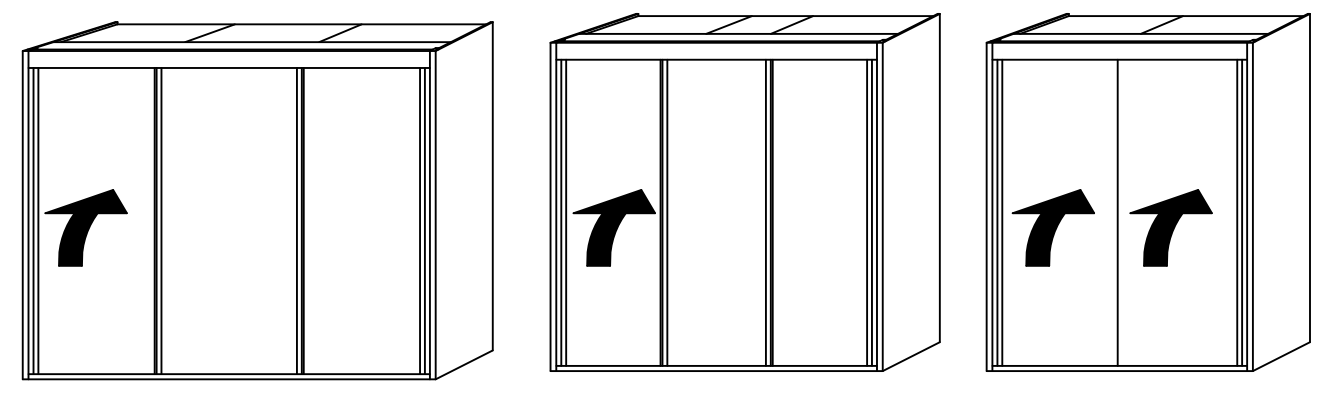


4

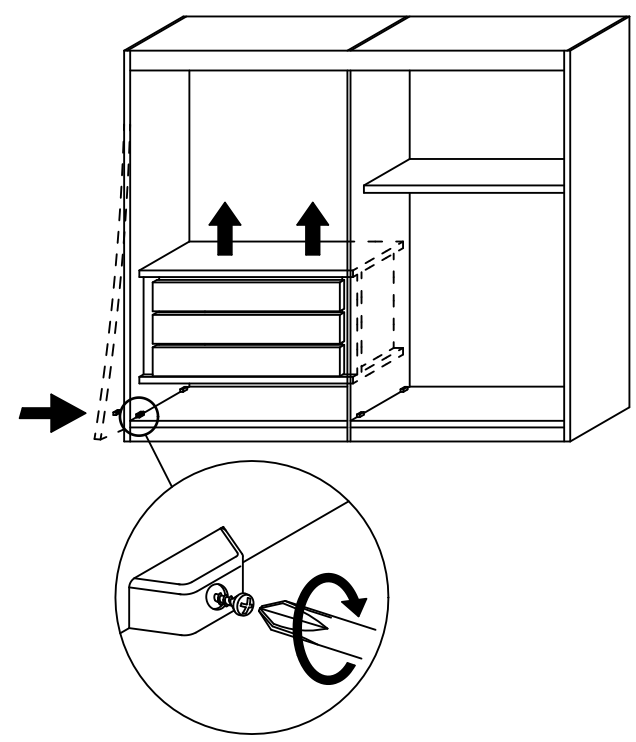


4.

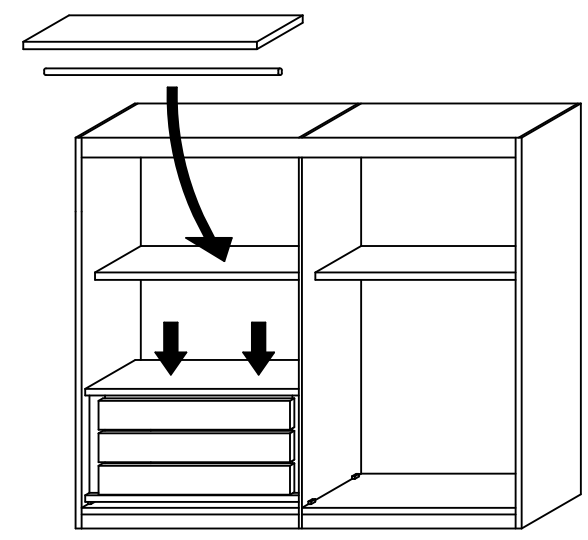
7



5

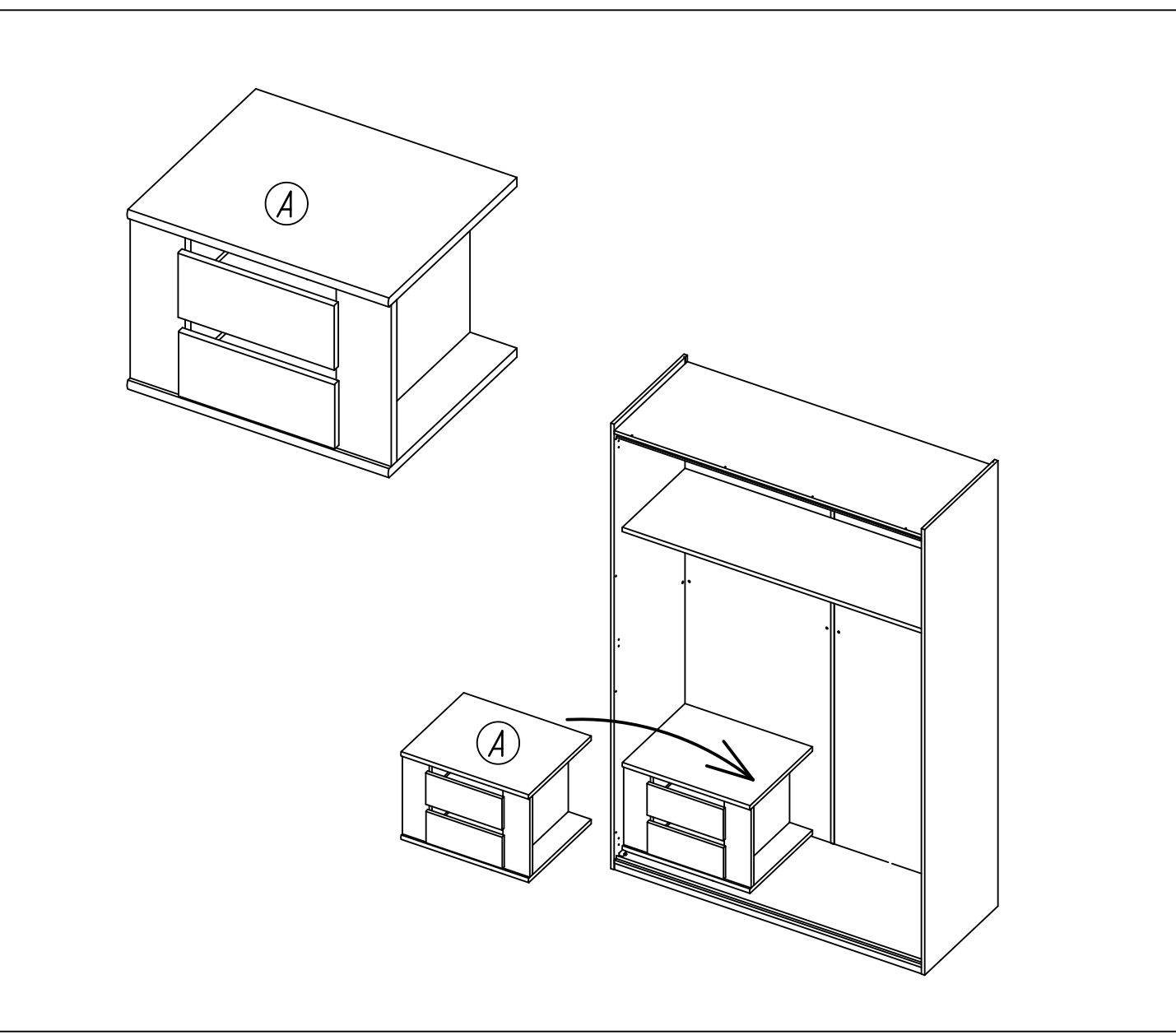


6

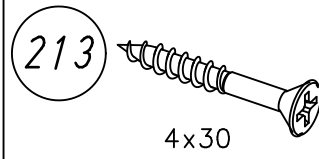
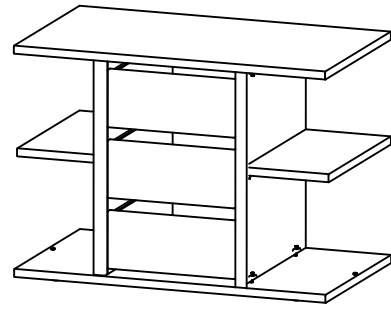


ME108

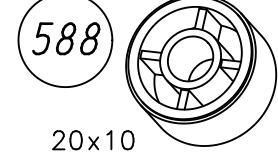
ME108



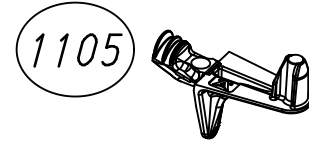
5.



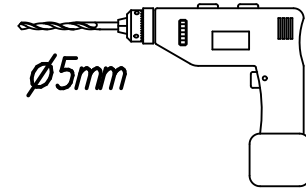
4x30



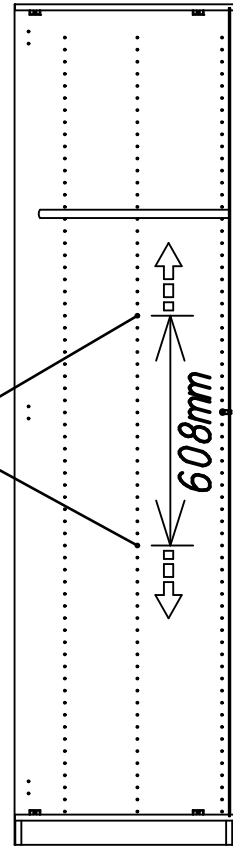
20x10



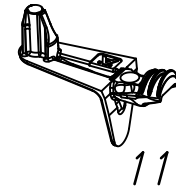
1105



∅5mm

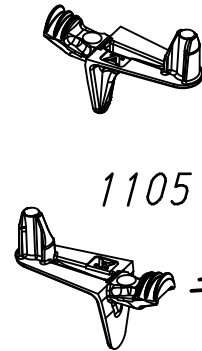


608mm

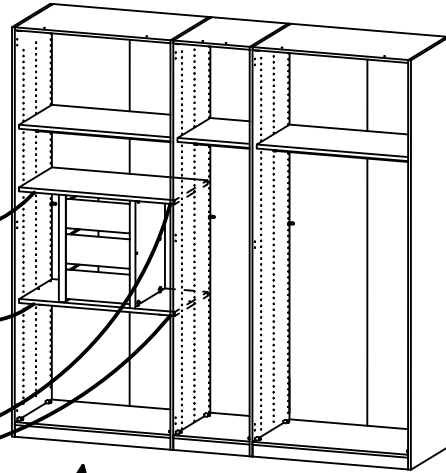


1105

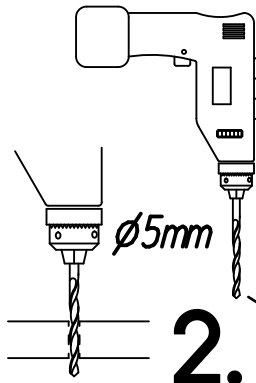
1.



1105

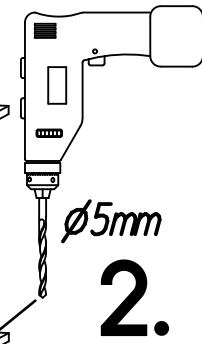
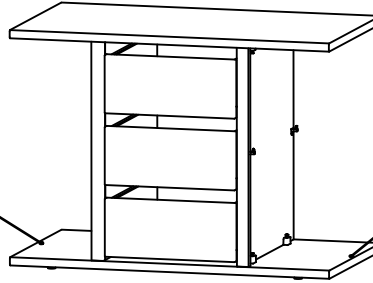


3.



∅5mm

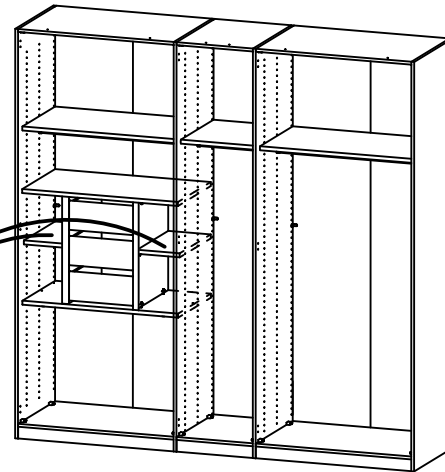
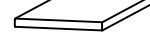
2.



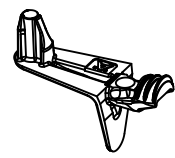
∅5mm

2.

5.

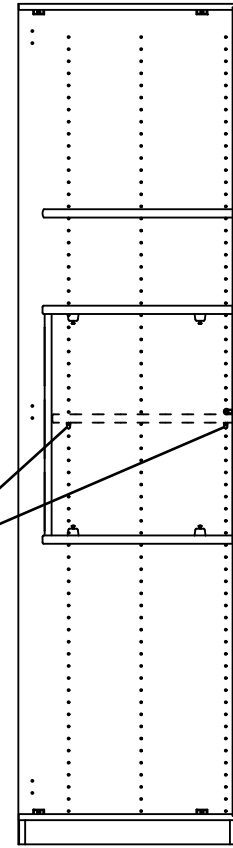


4.

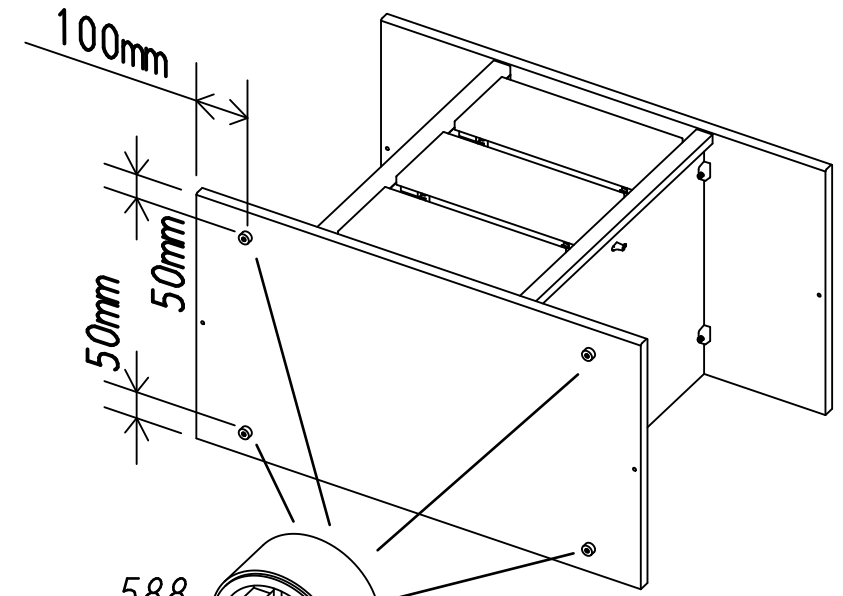
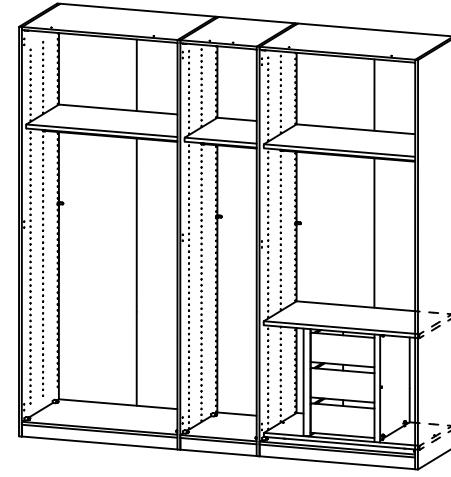


1105

296mm

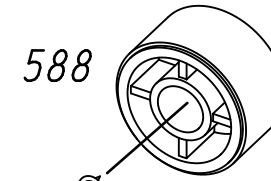


6.

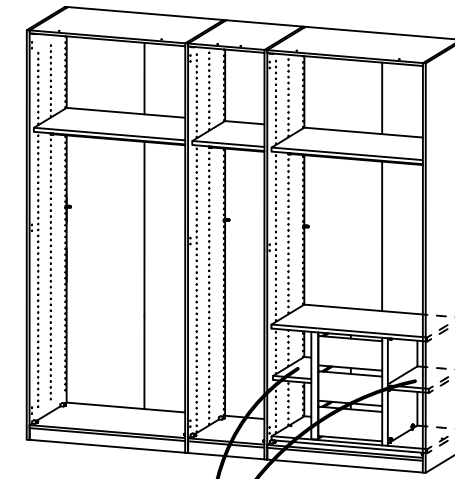


213

1.

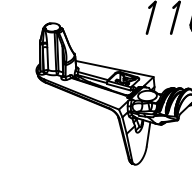


588



3.

2.



1105

296mm

