


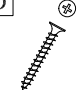
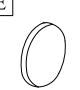
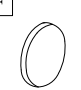
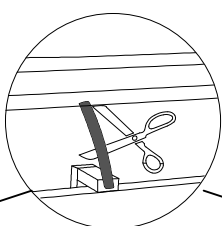


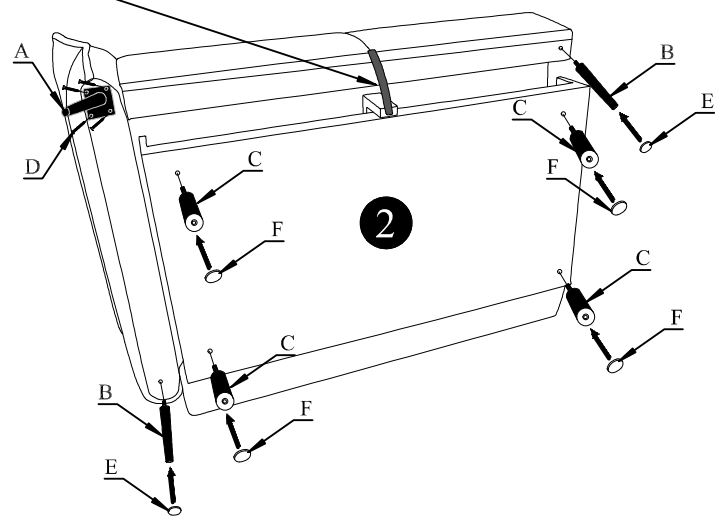
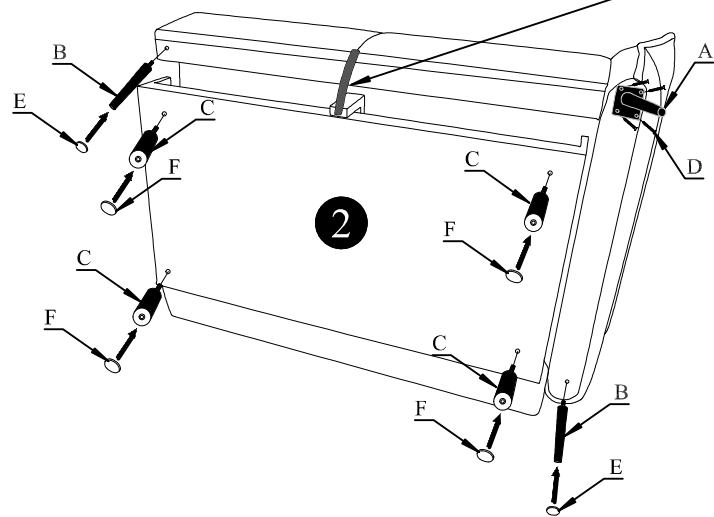
| | | | | | |
|---------------------------------------------------------------------------------------------------|-----------------------------------------------------------------------------------------------------|-----------------------------------------------------------------------------------------------------|-----------------------------------------------------------------------------------------------------|-----------------------------------------------------------------------------------------------------|-----------------------------------------------------------------------------------------------------|
| A  1x | B  2x | C  4x | D  4x | E  2x | F  4x |
| H-170 | H-170 | H-130 | 3,5x35 | ø 20 | ø 30 |

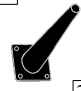

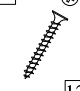
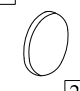
1



L

R



| | | | |
|------------------------------------------------------------------------------------------------------|-------------------------------------------------------------------------------------------------------|--------------------------------------------------------------------------------------------------------|-------------------------------------------------------------------------------------------------------|
| A  3x | B  2x | D  12x | E  2x |
| H-170 | H-170 | 3,5x35 | ø 20 |

2

L

R

