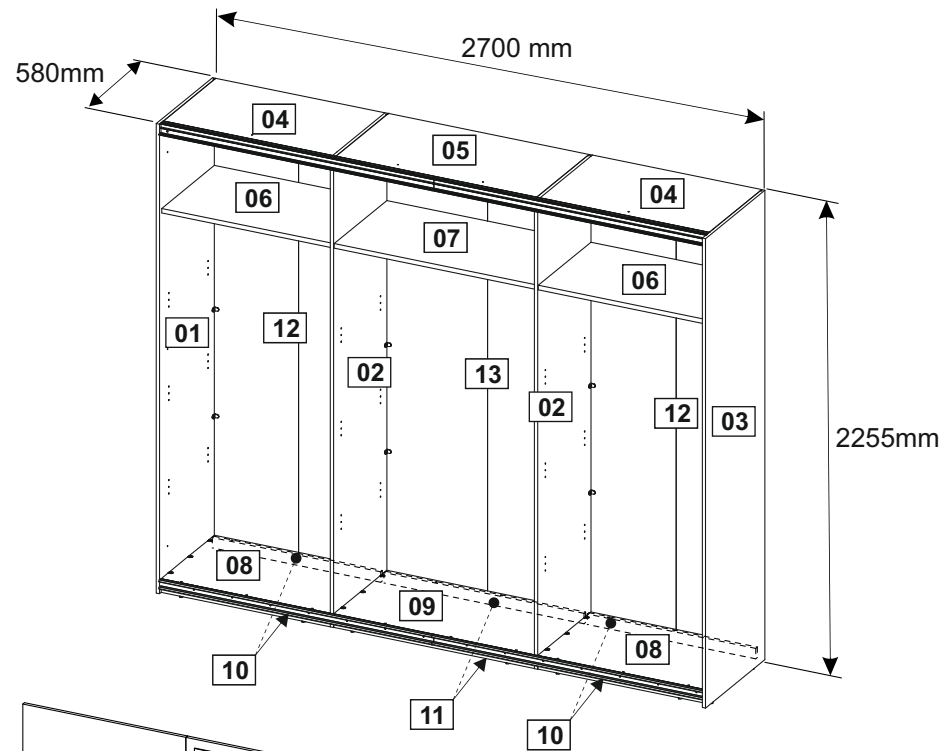
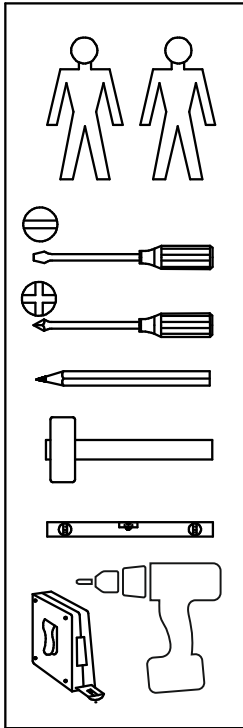
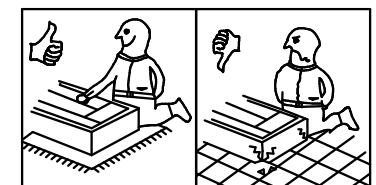
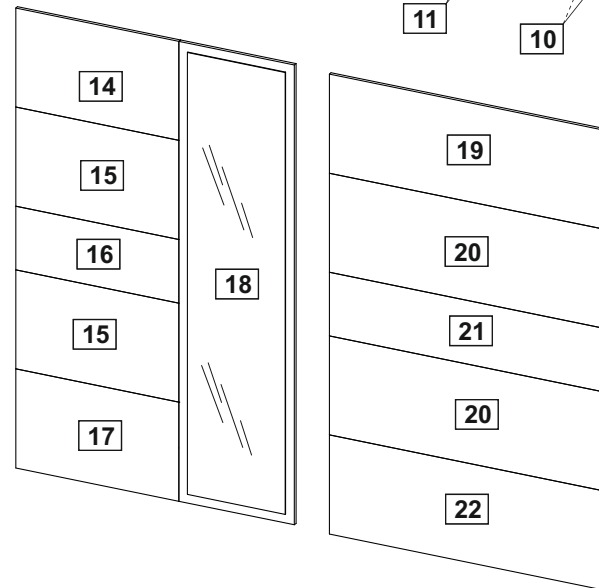


Leo 2D

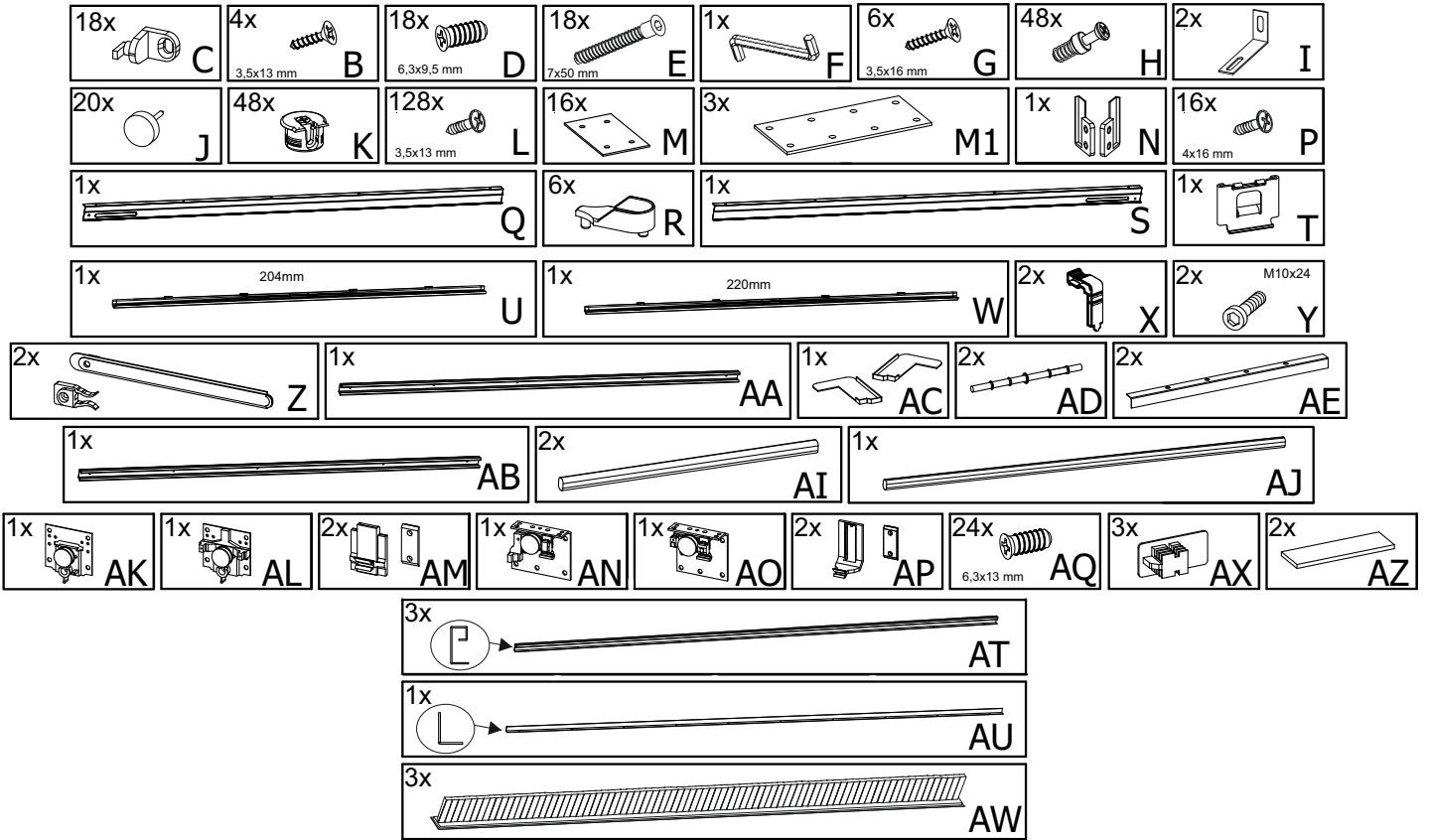
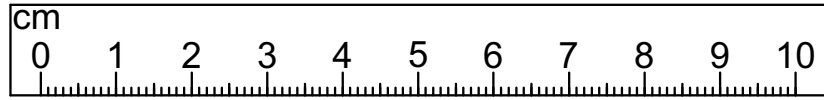
58-562-...





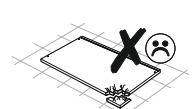
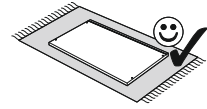
01	7027260	2250x551x16	x1	2/9
02	7027264	2250x535x16	x2	3,4/9
03	7027259	2250x580x16	x1	2/9
04	7027265	827x535x16	x2	3/9
05	7027355	982x535x16	x1	5/9
06	7027271	827x515x22	x2	6/9
07	7027358	982x515x22	x1	6/9
08	7027267	827x535x16	x2	4/9
09	7027356	982x535x16	x1	5/9
10	7027268	827x50x16	x4	5/9
11	7027357	982x50x16	x2	5/9
12	7027261	2178x836x3	x2	2/9
13	7027352	2178x990x3	x1	4/9
14	7027280	799x475x16	x1	8/9
15	7027275	799x475x16	x2	7/9
16	3020580	799x305x16	x1	7/9
17	7027281	799x475x16	x1	8/9
18	7027282	2205x565x20	x1	9/9
19	7027274	1360x475x16	x1	7/9
20	7027279	1360x475x16	x2	8/9
21	3020579	1360x305x16	x1	8/9
22	7027276	1360x475x16	x1	7/9



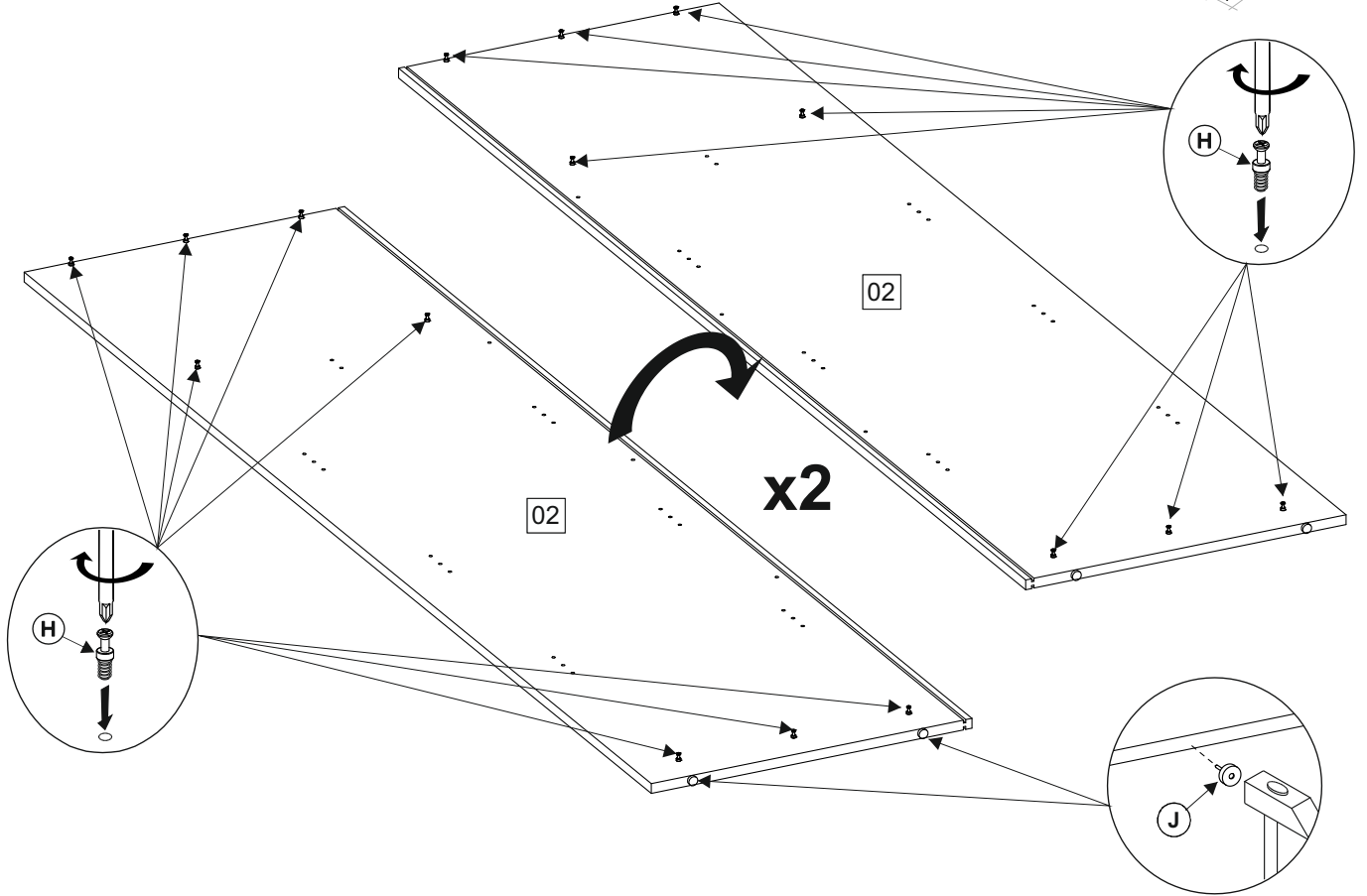
C 1/1





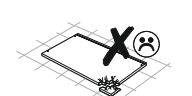
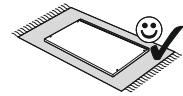
- 32x  H
- 4x  J



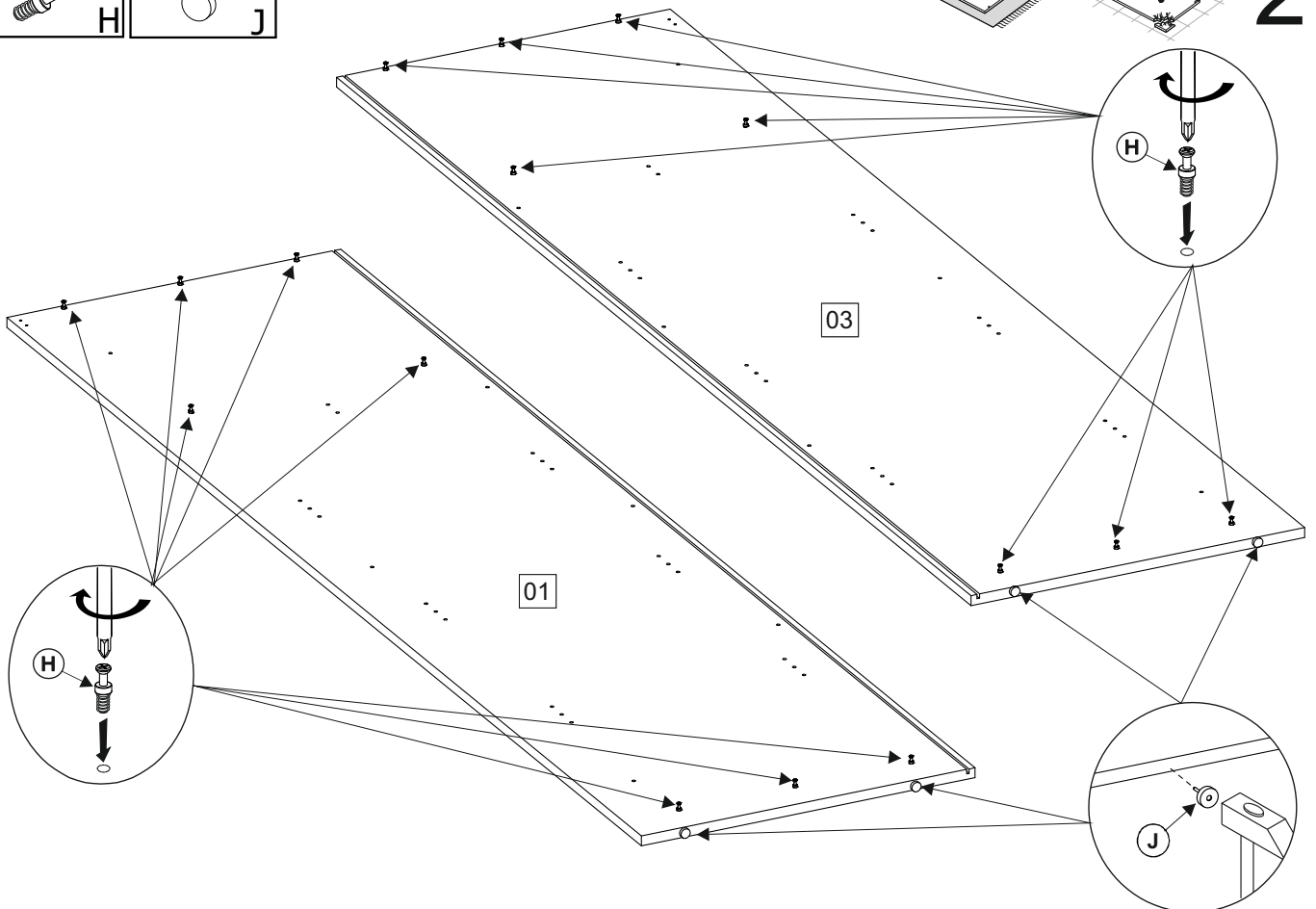
1




- 16x  H
- 4x  J

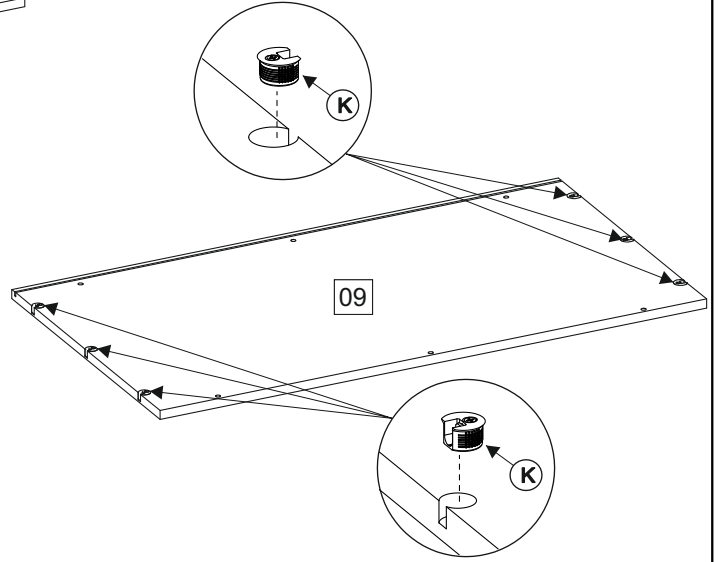
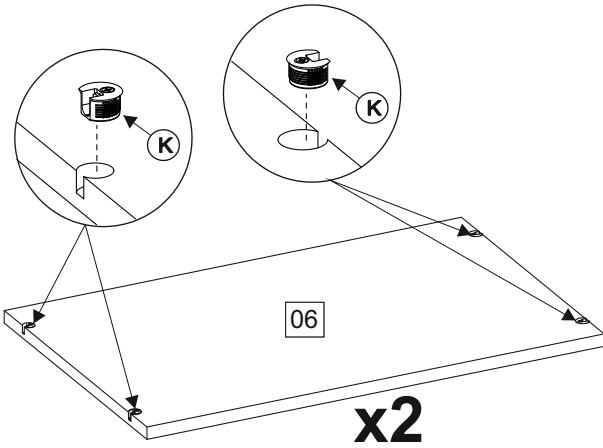
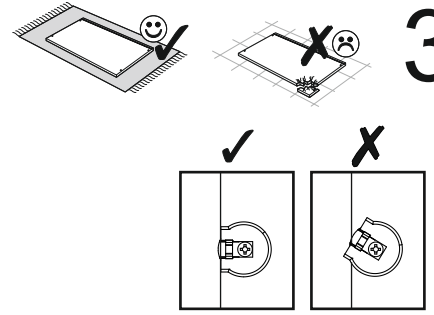
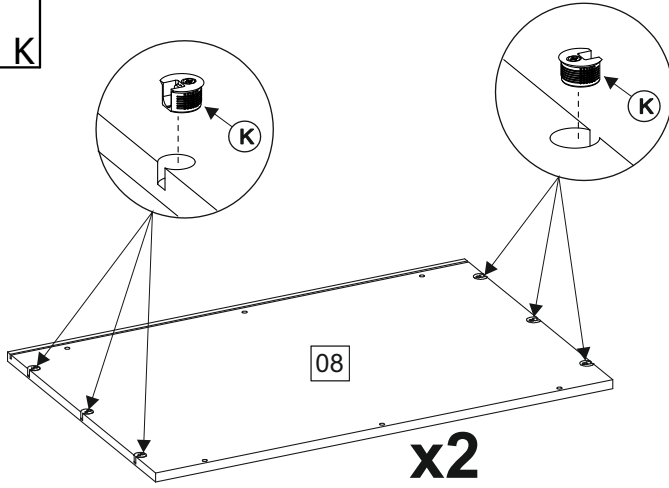


2



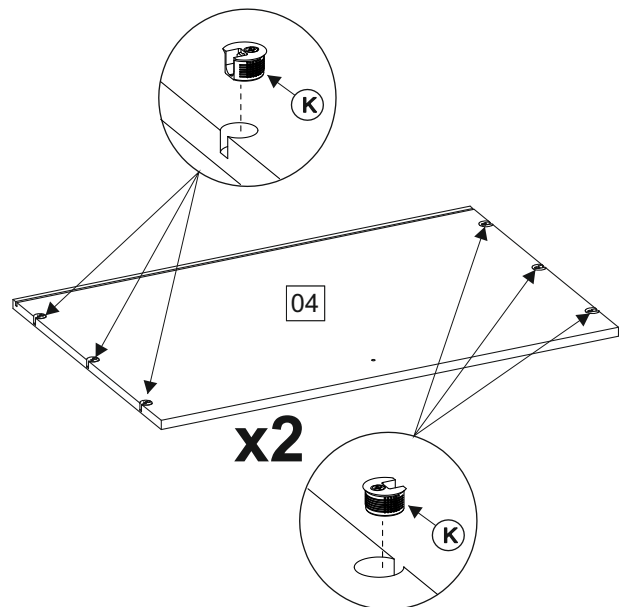
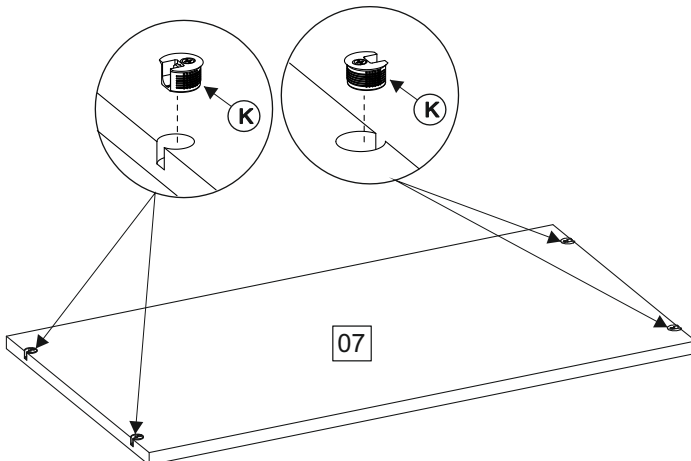
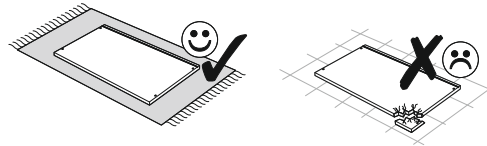
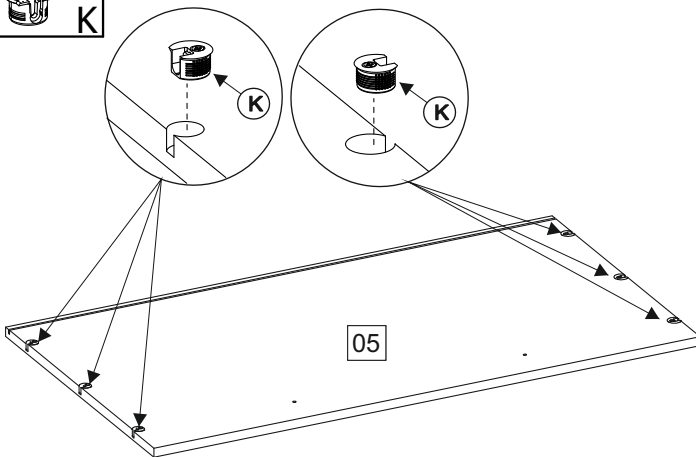
26x
 K

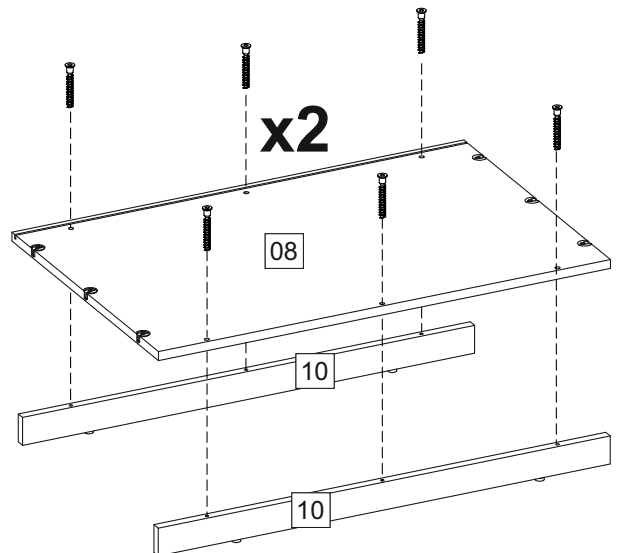
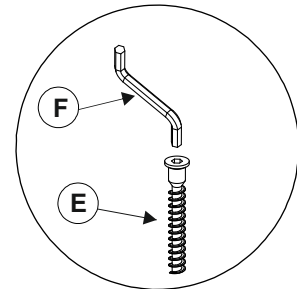
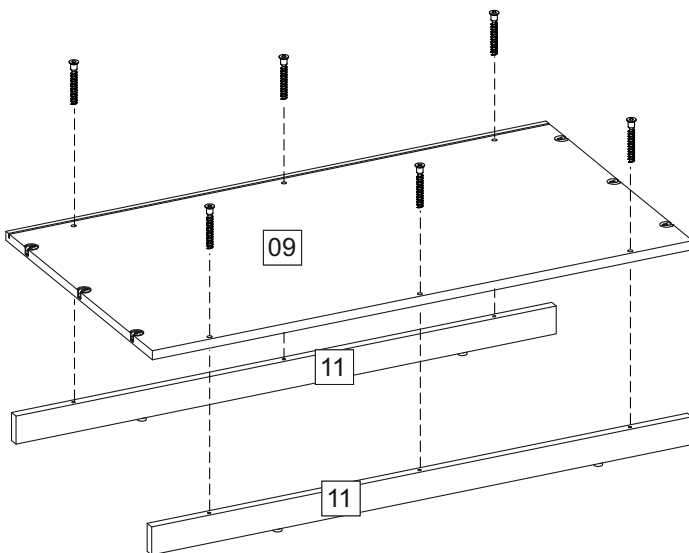
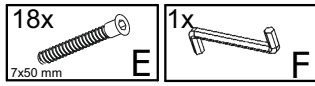
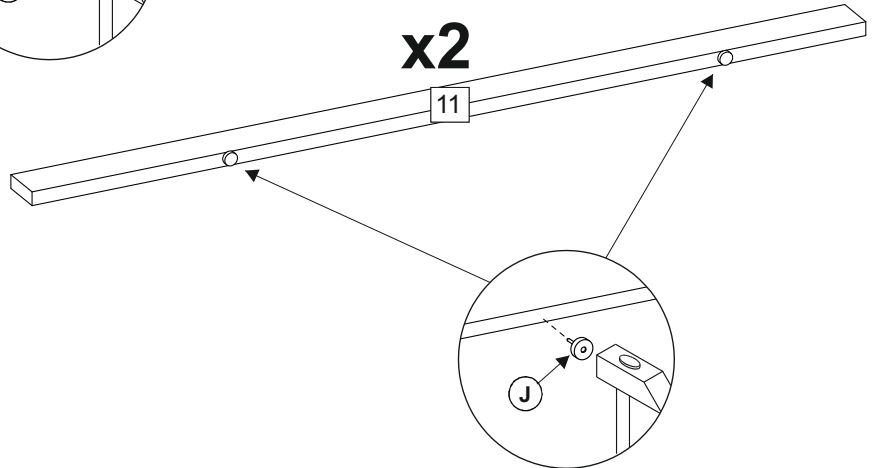
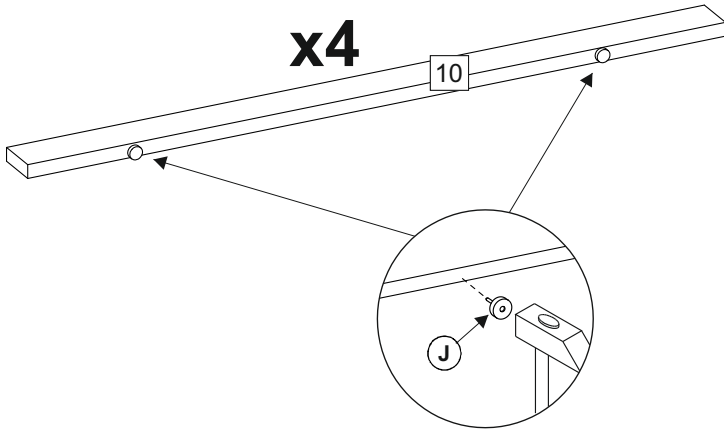
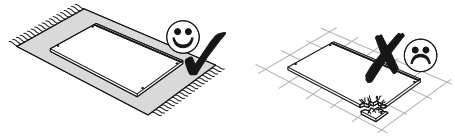
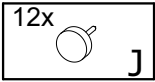
3



22x
 K

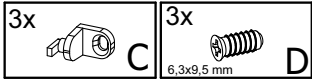
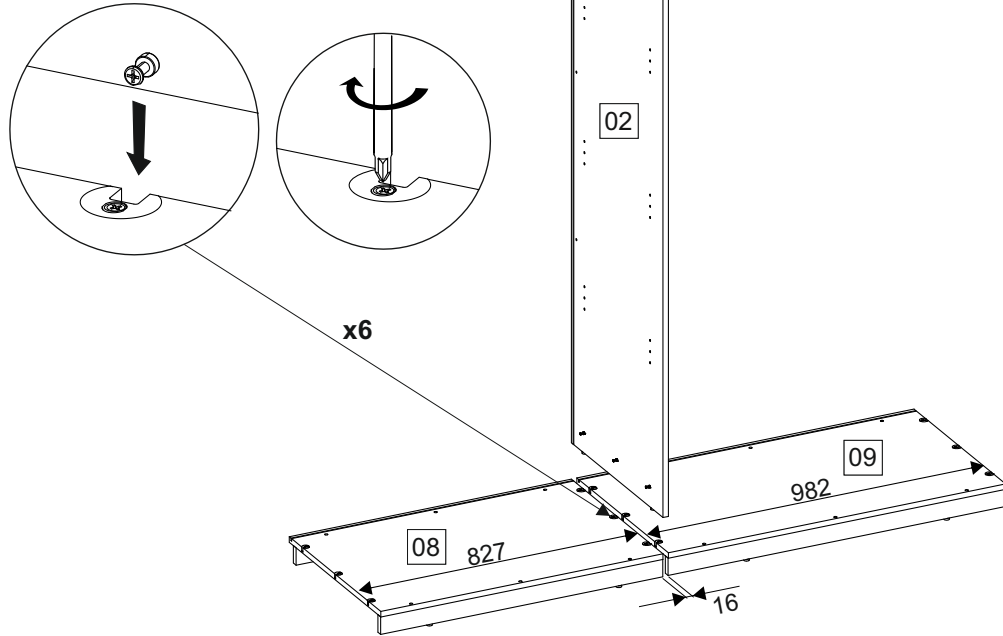
4



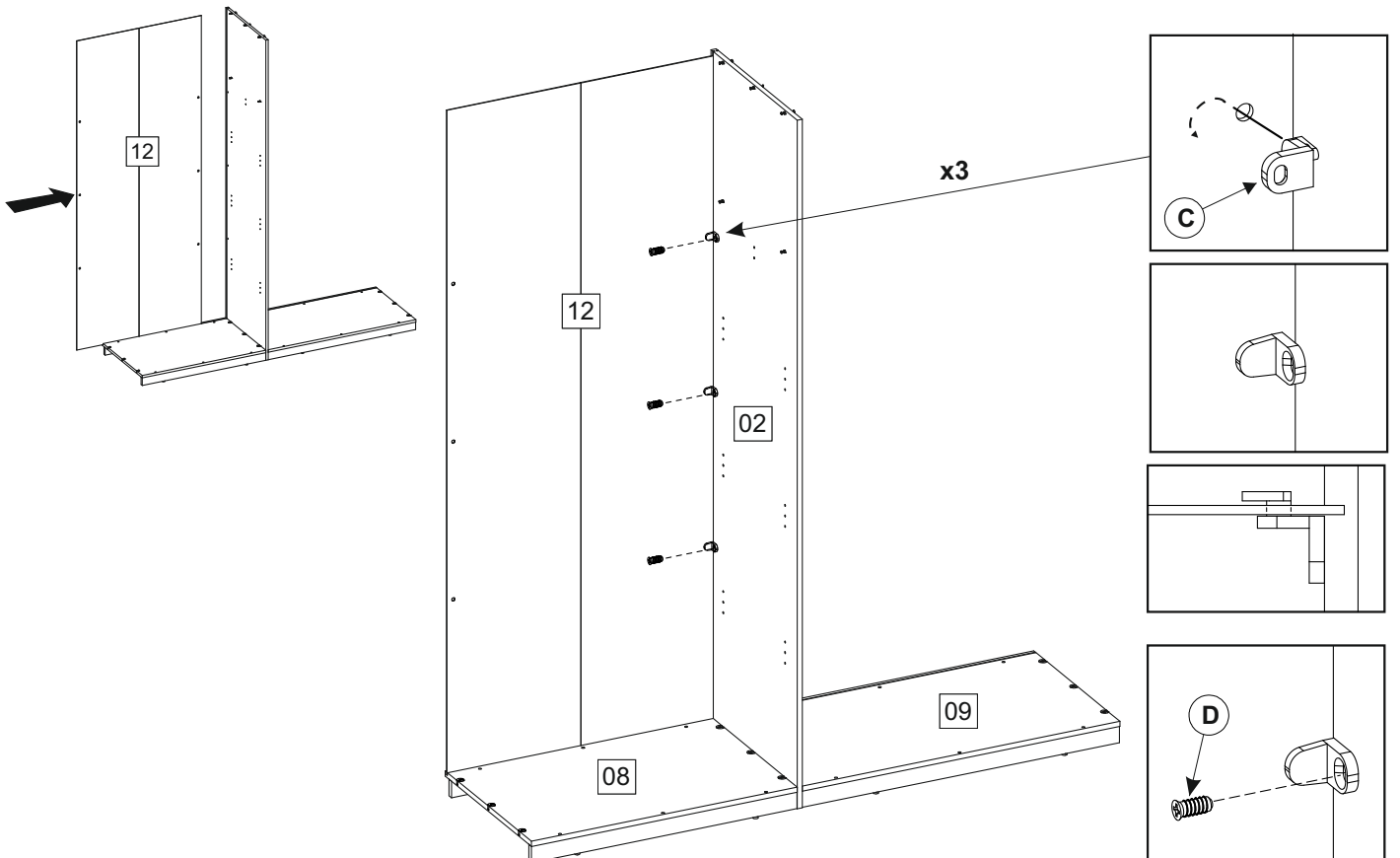


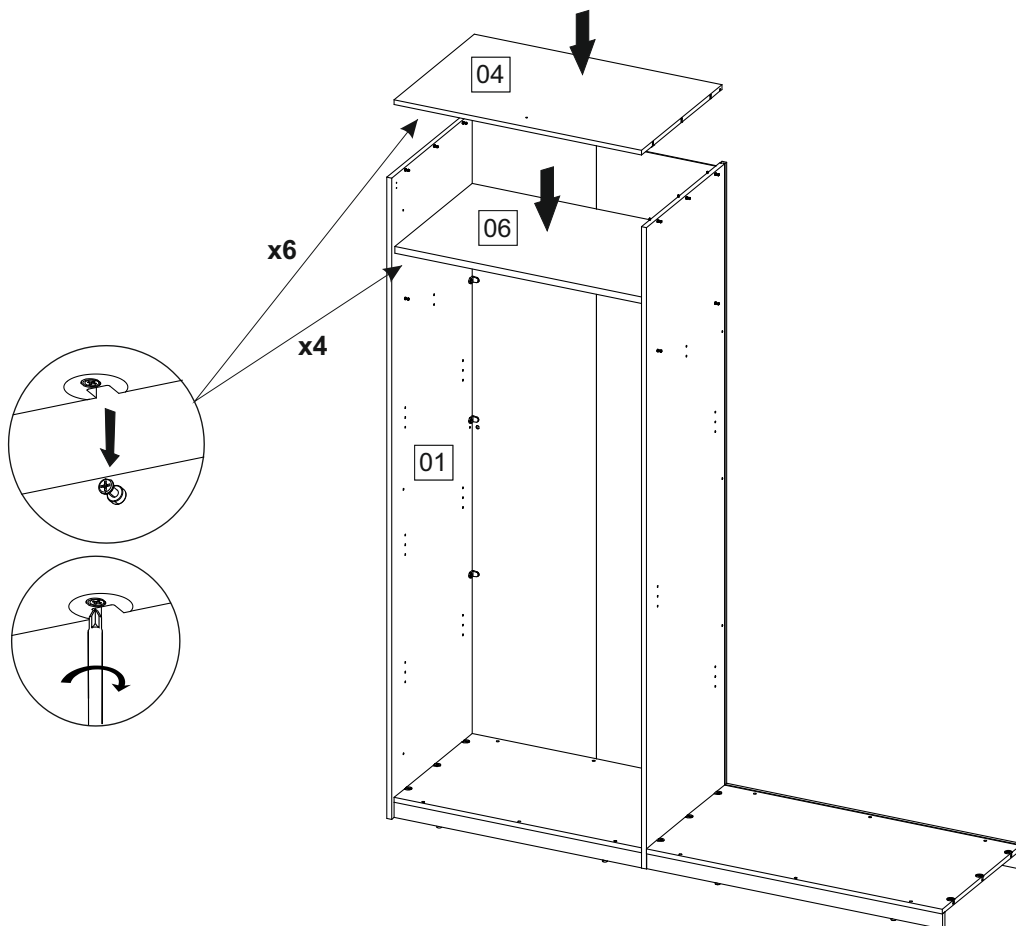
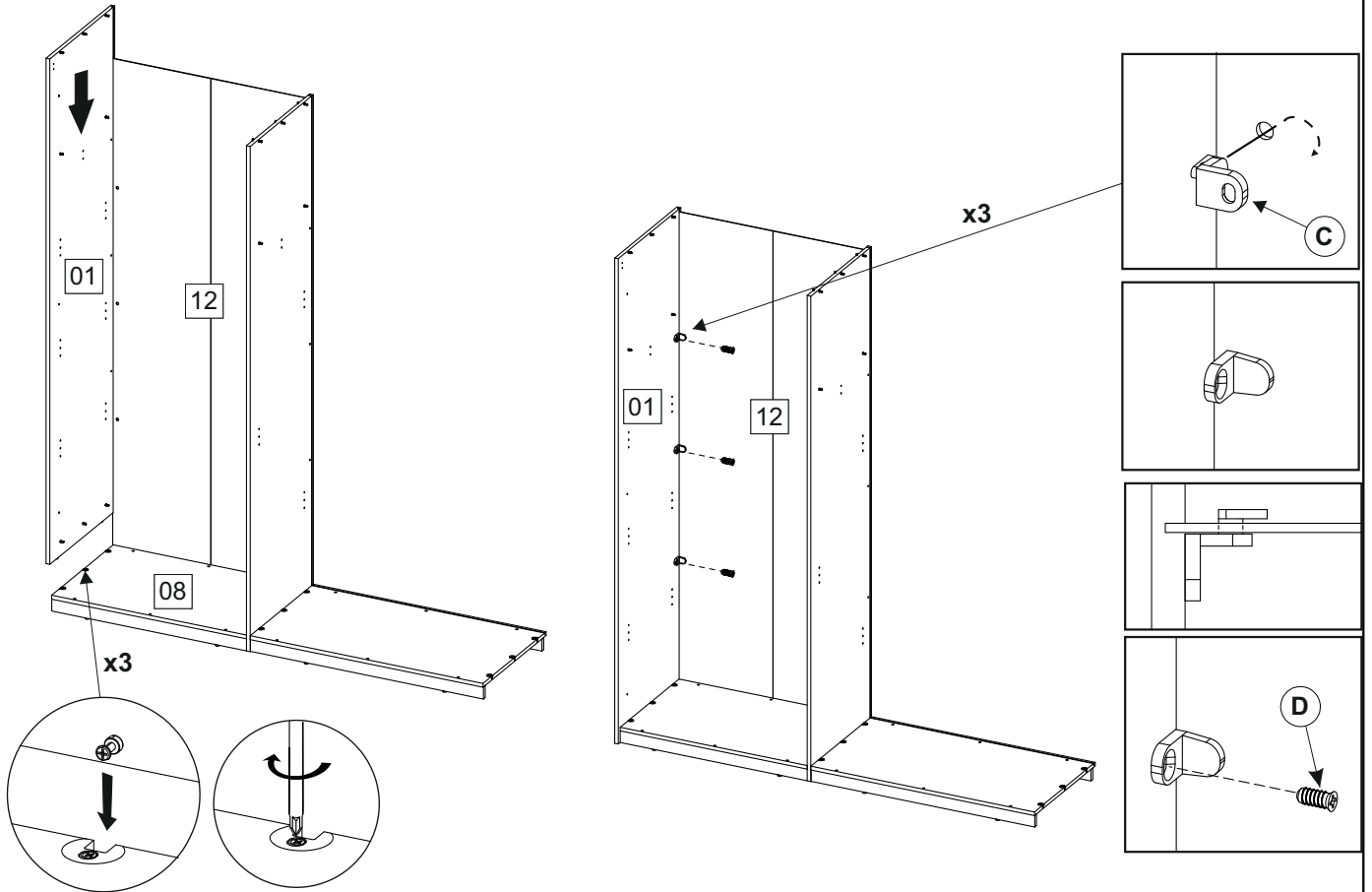
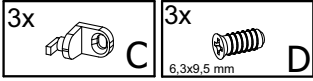
58-562-...

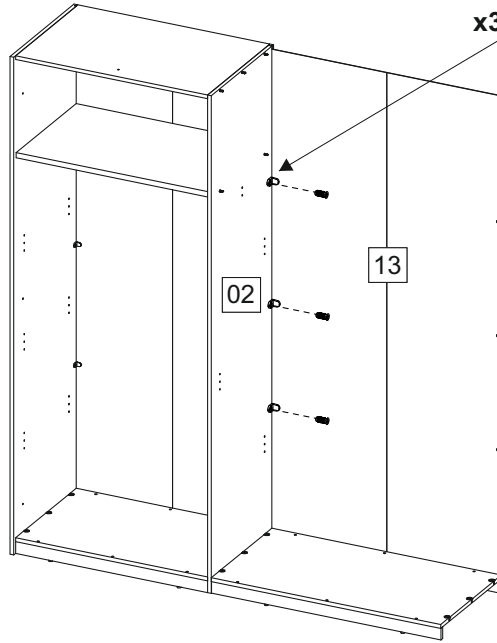
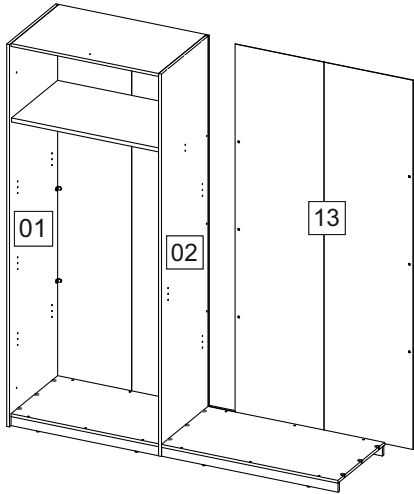
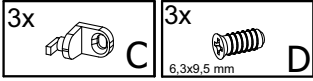
7



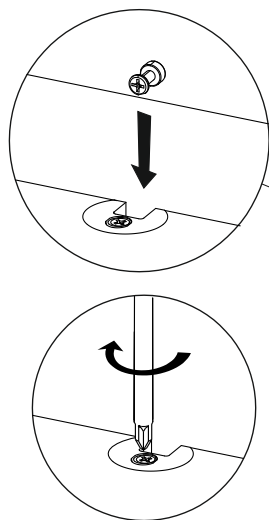
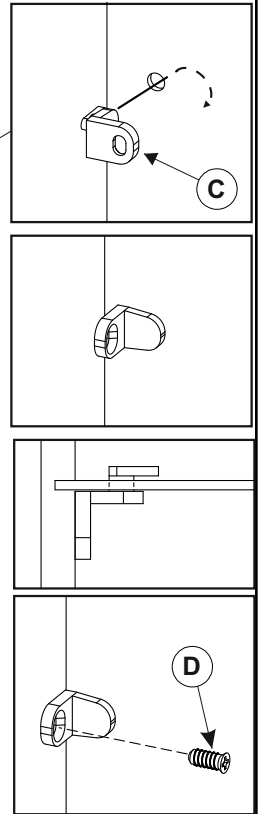
8



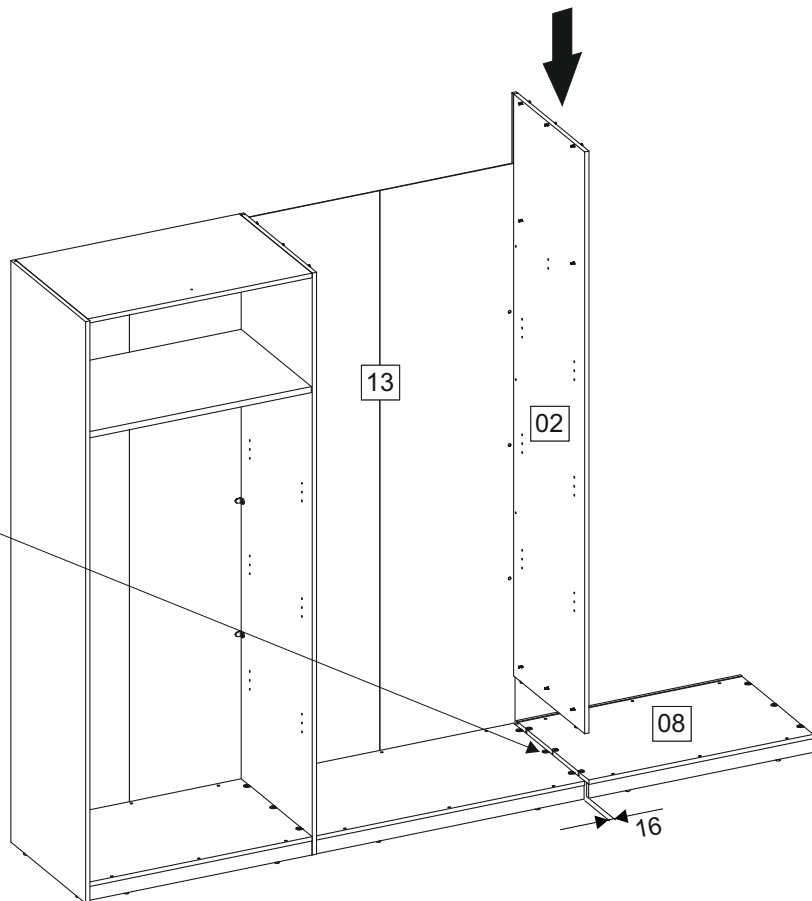


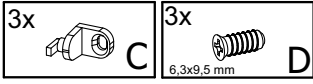


x3

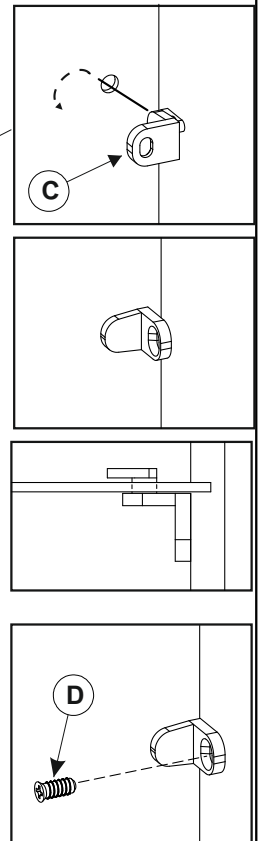
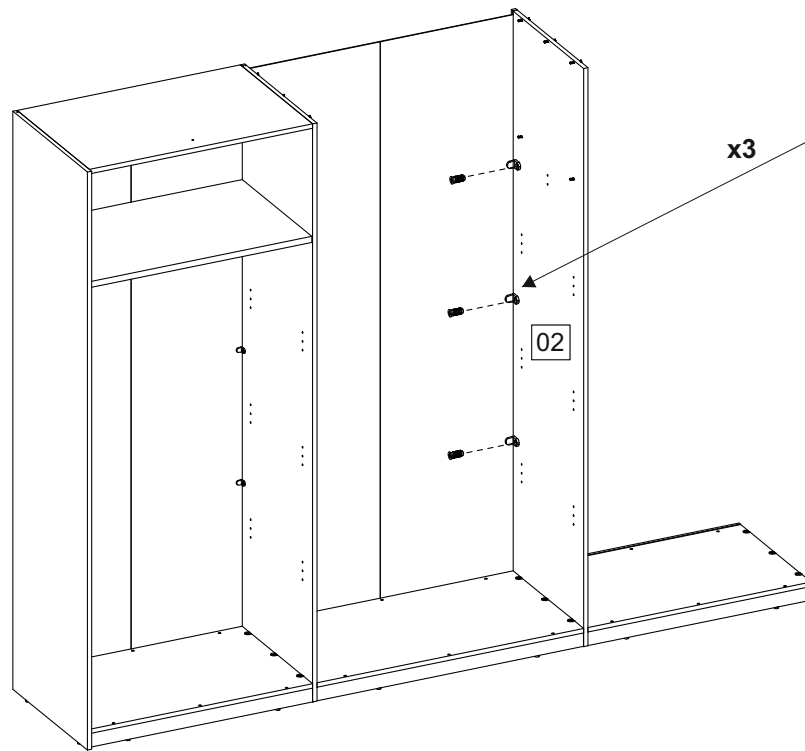


x6

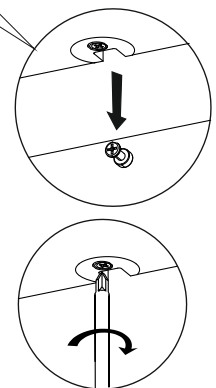
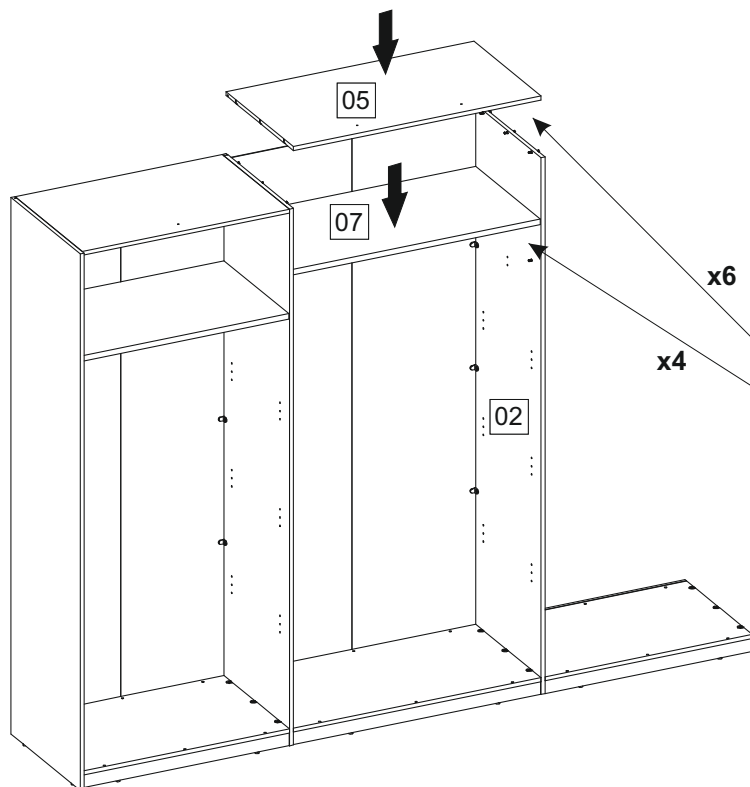


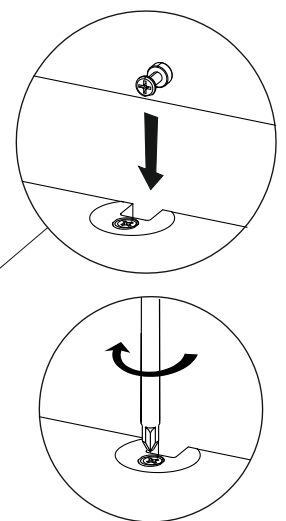
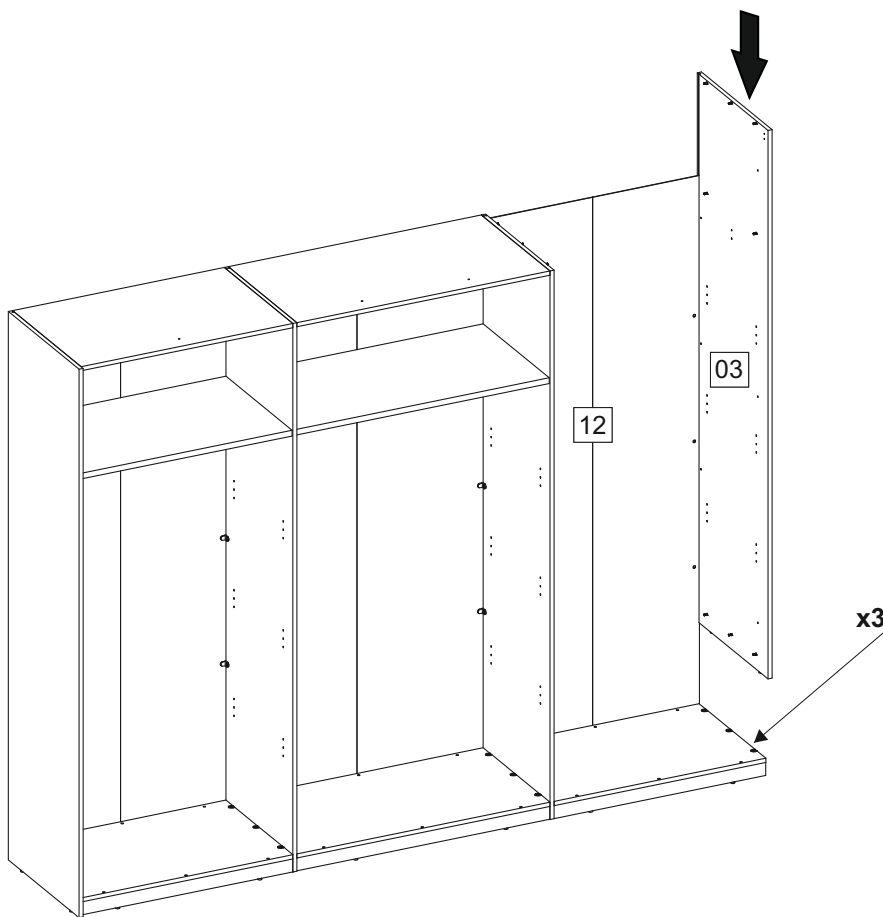
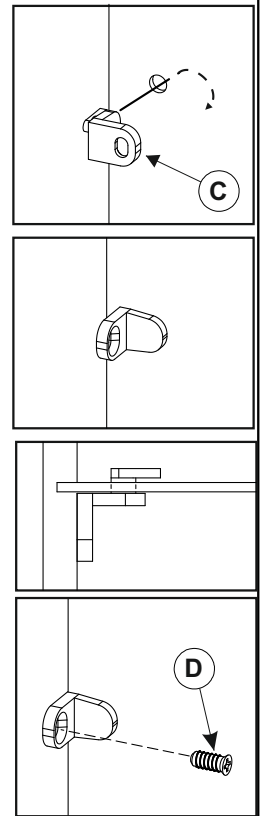
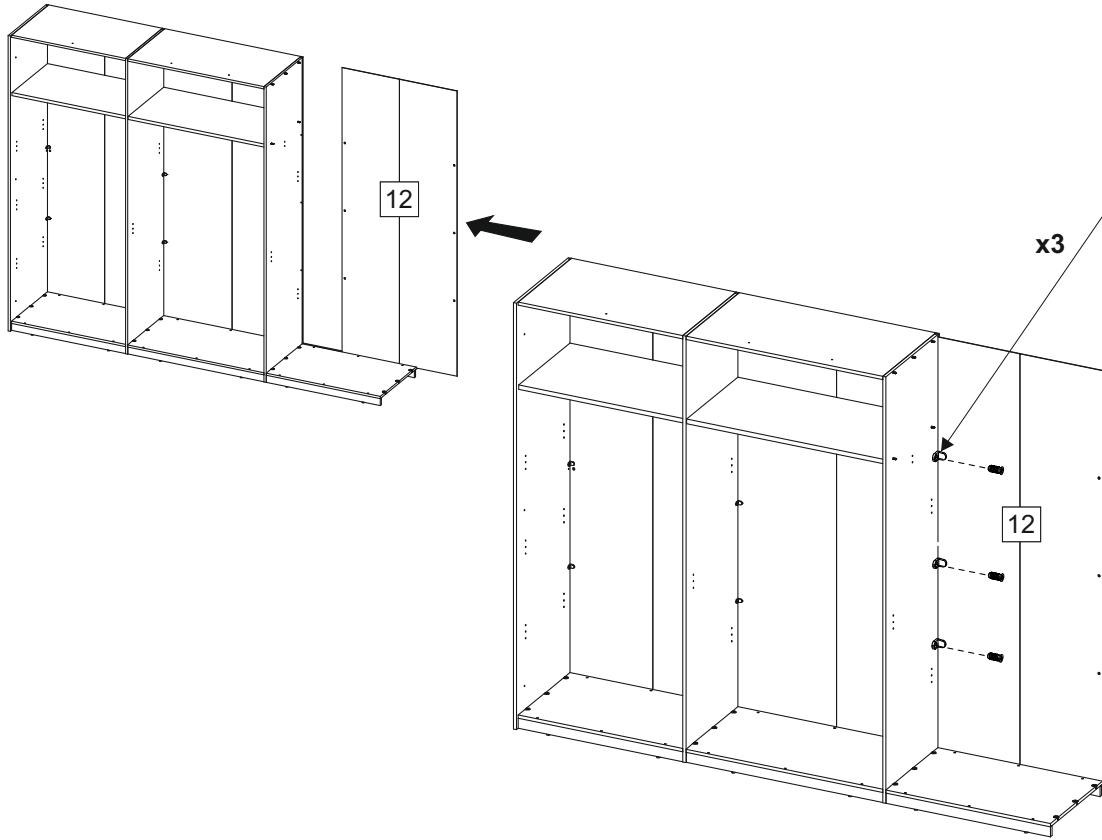
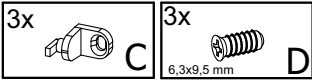


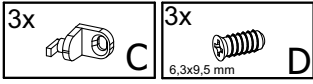
13



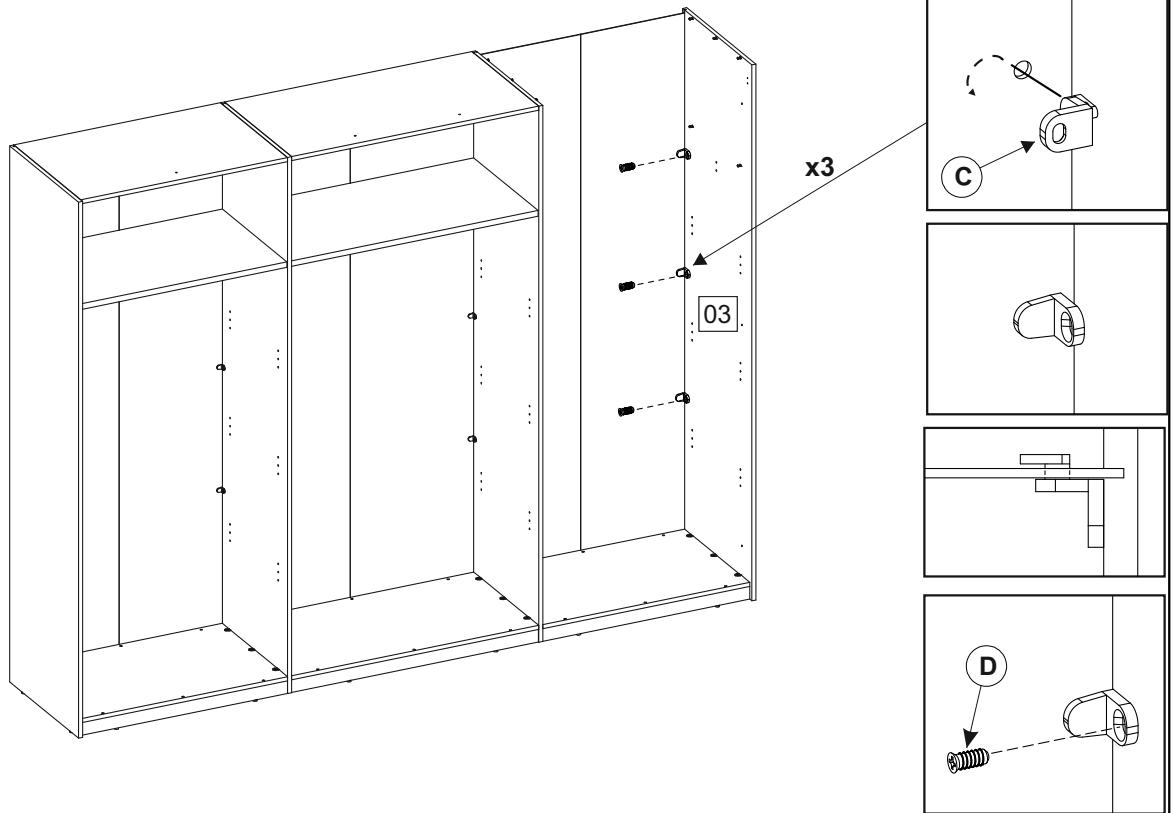
14



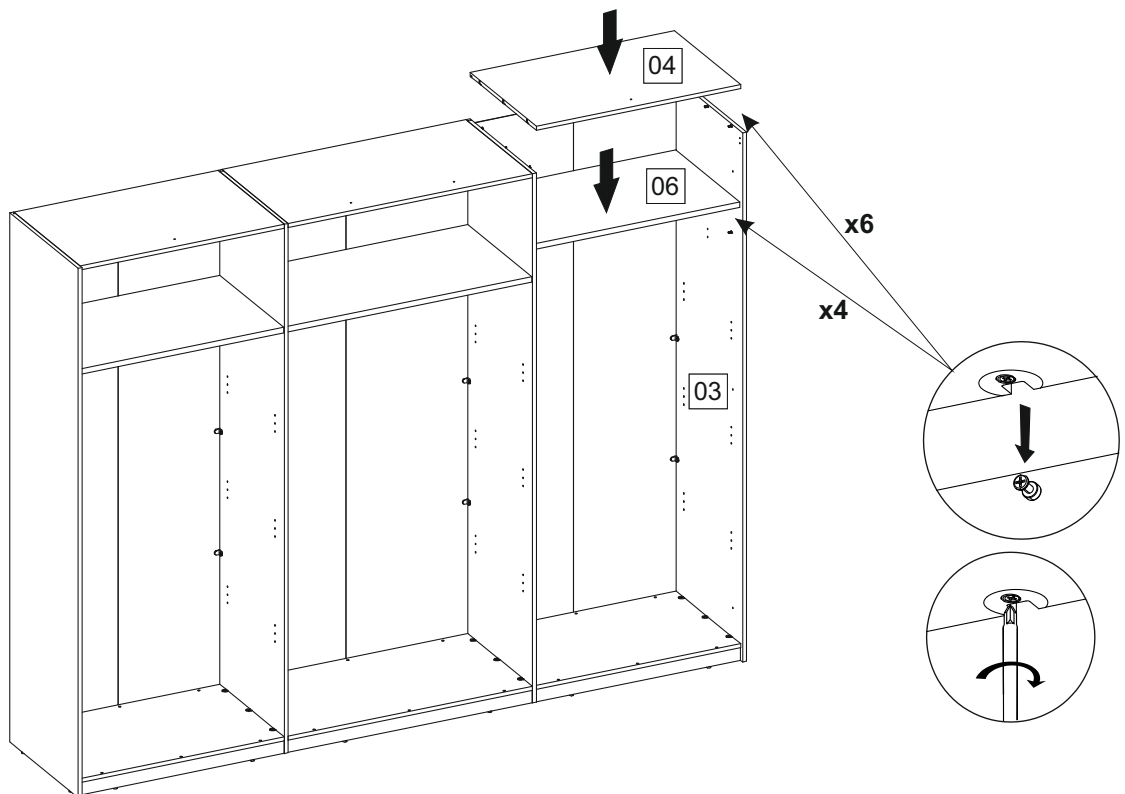






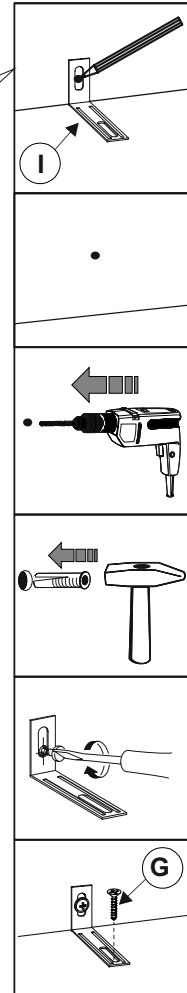
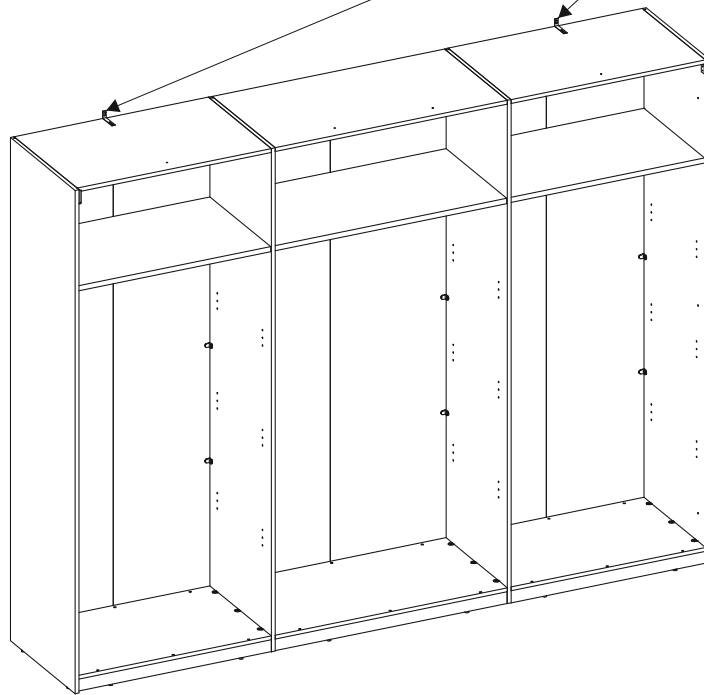
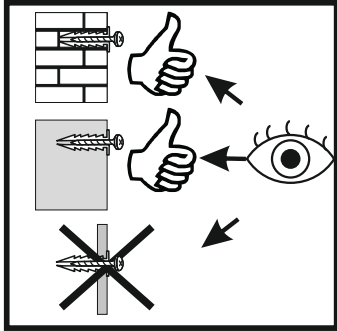
17





18

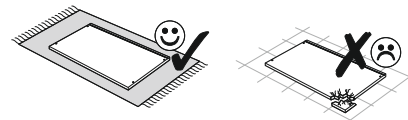


- 2x  G
3.5x16 mm
- 2x  I

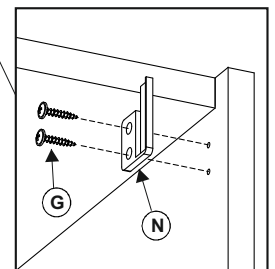
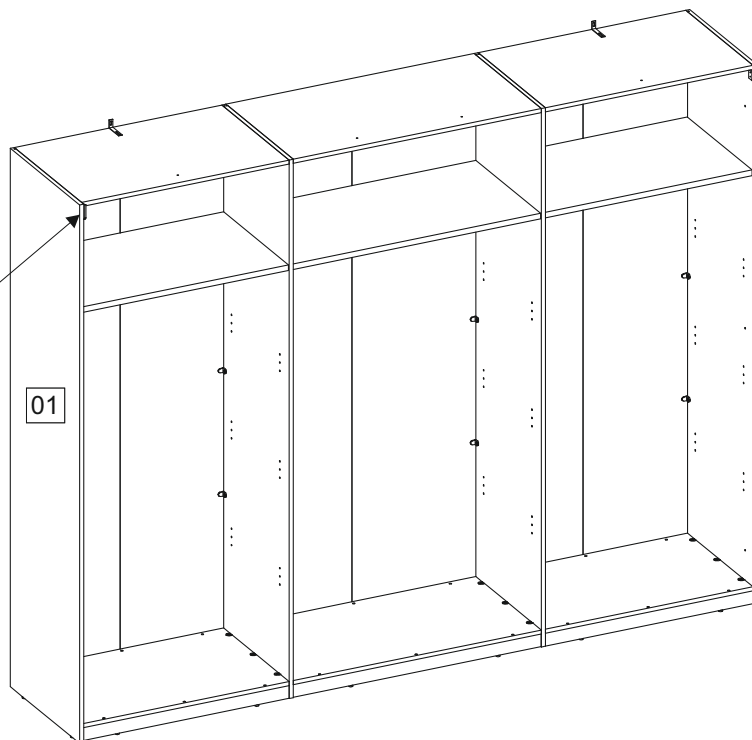
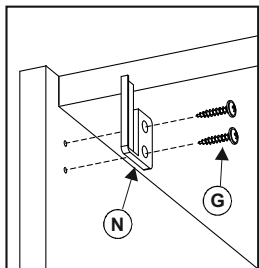


19

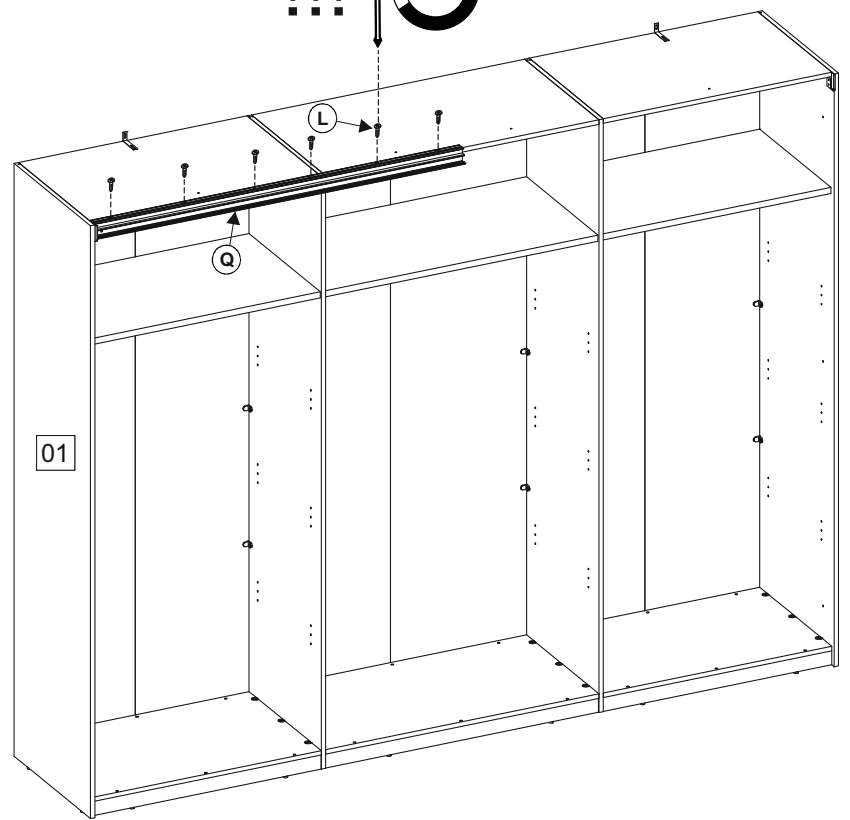
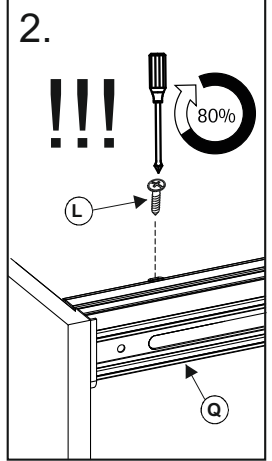
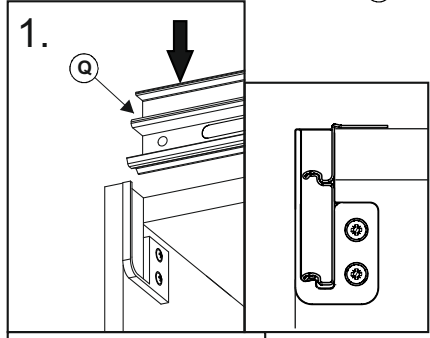
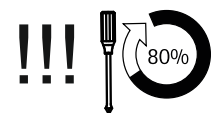
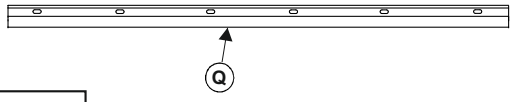
- 4x  G
3.5x16 mm
- 1x  N



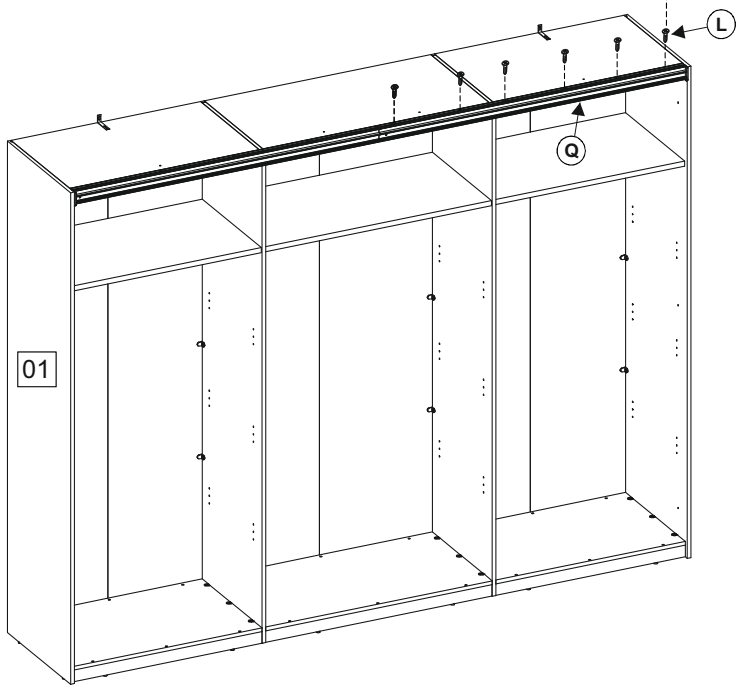
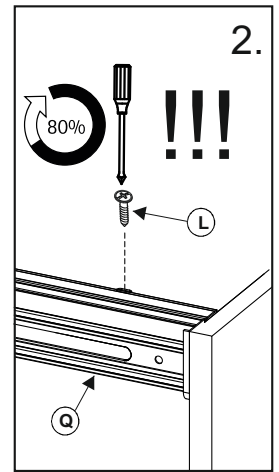
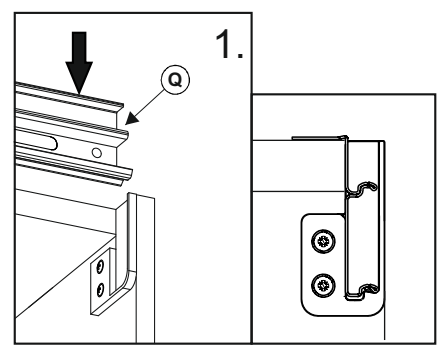
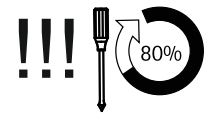
20

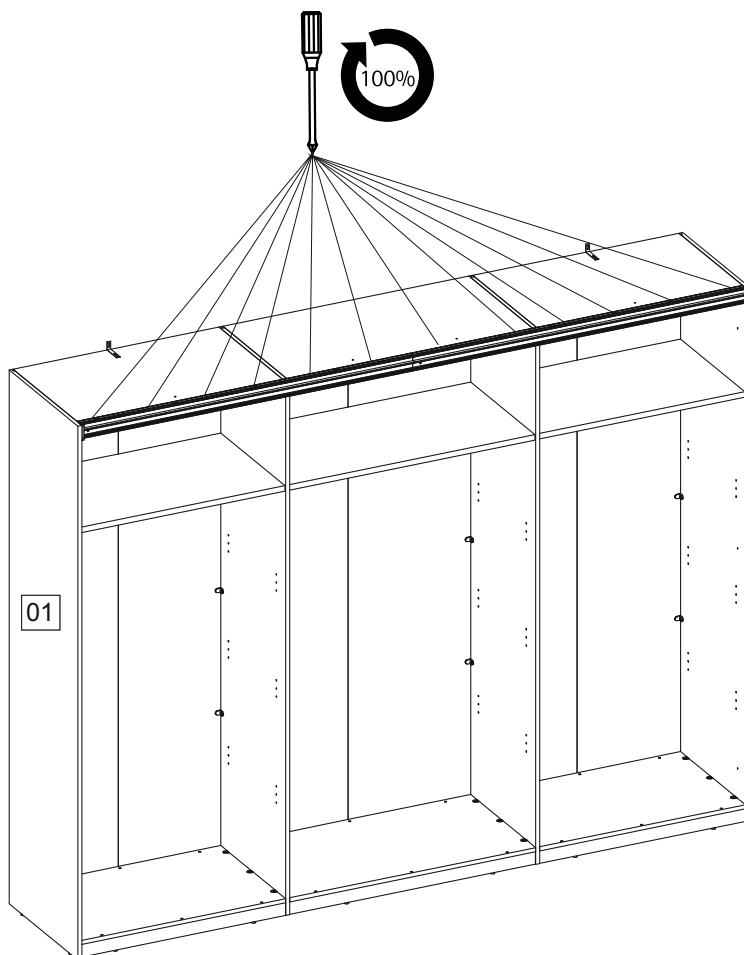
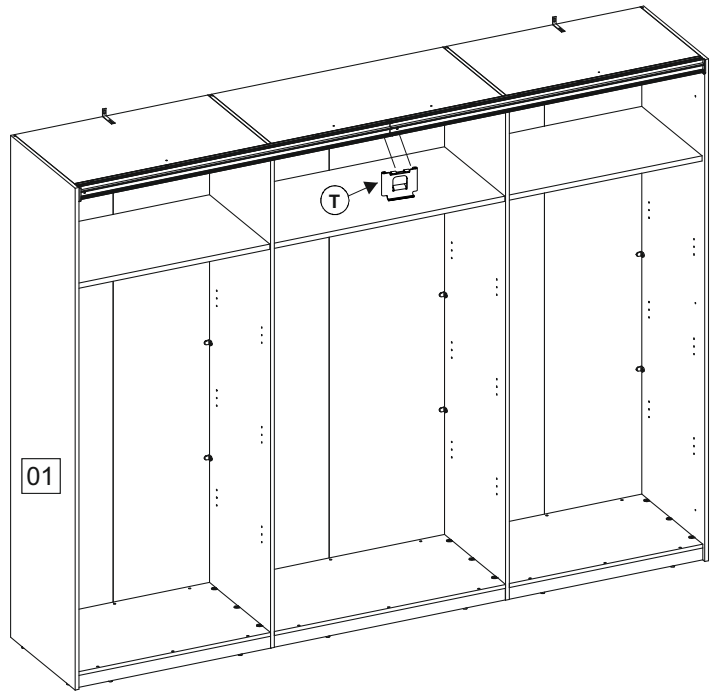
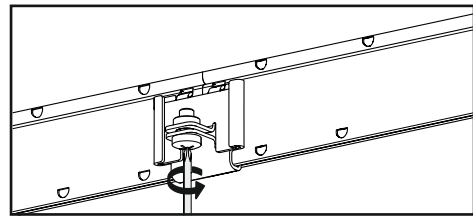
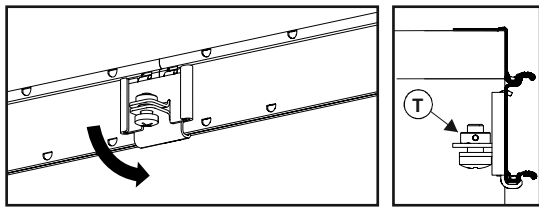
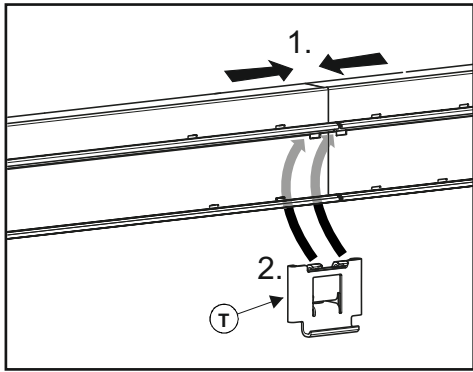
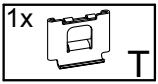


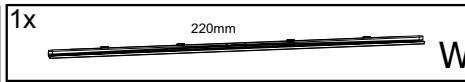
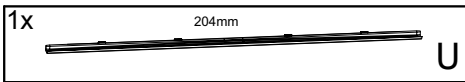
- 6x 3.5x13 mm L
- 1x Q



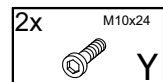
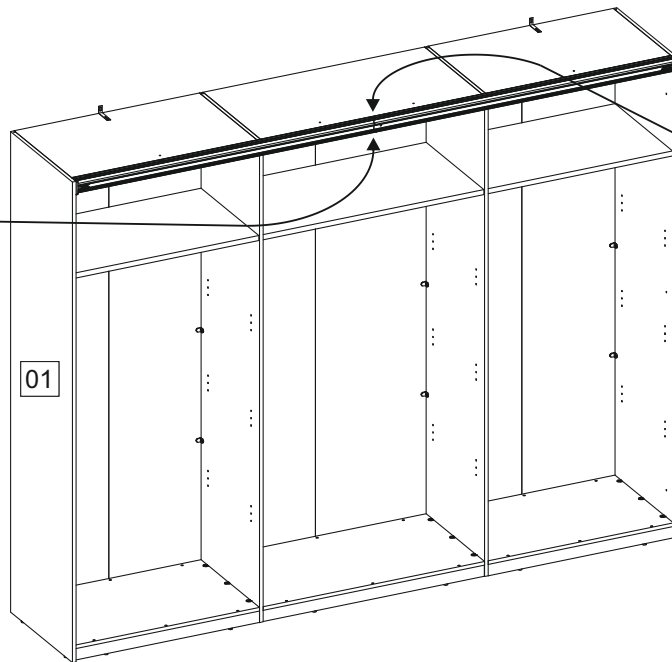
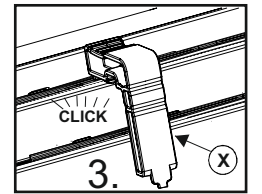
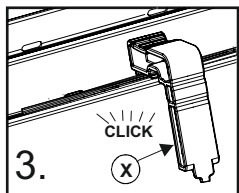
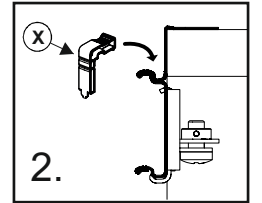
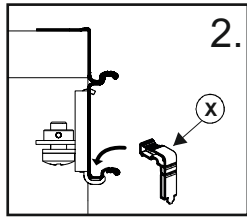
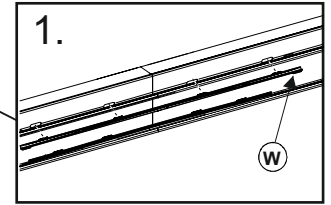
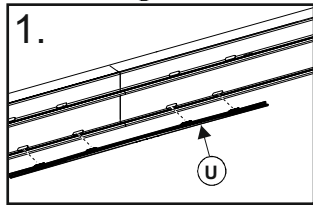
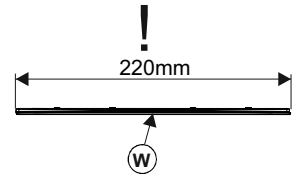
- 6x 3.5x13 mm L
- 1x S



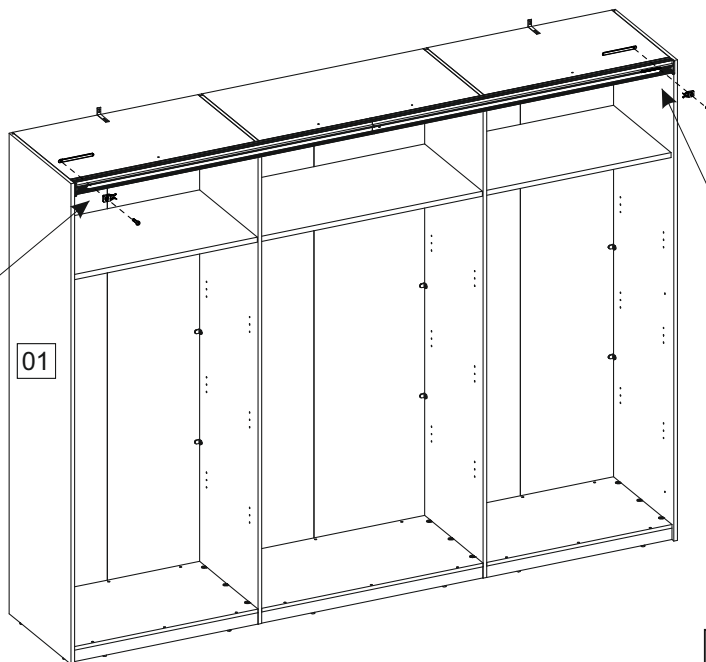
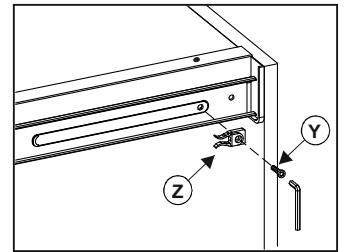
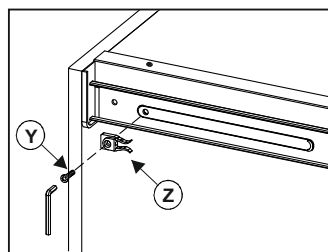
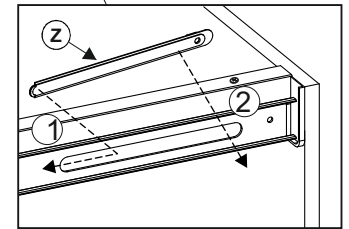
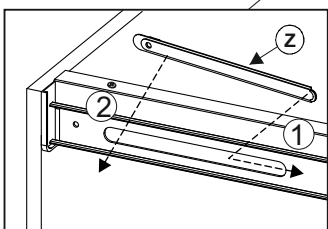


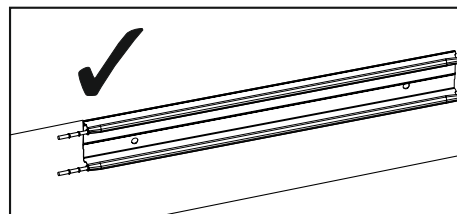
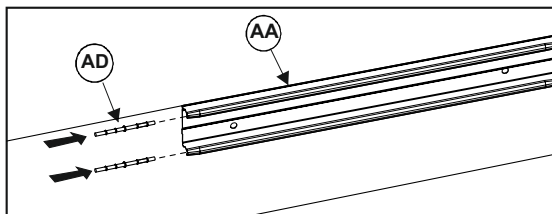
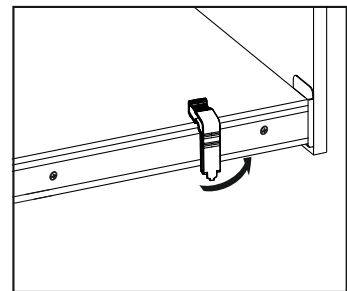
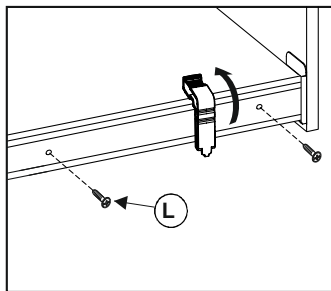
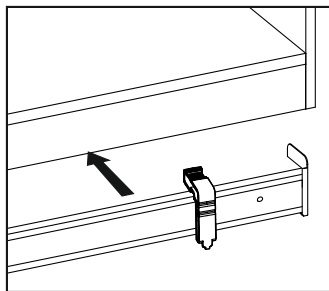
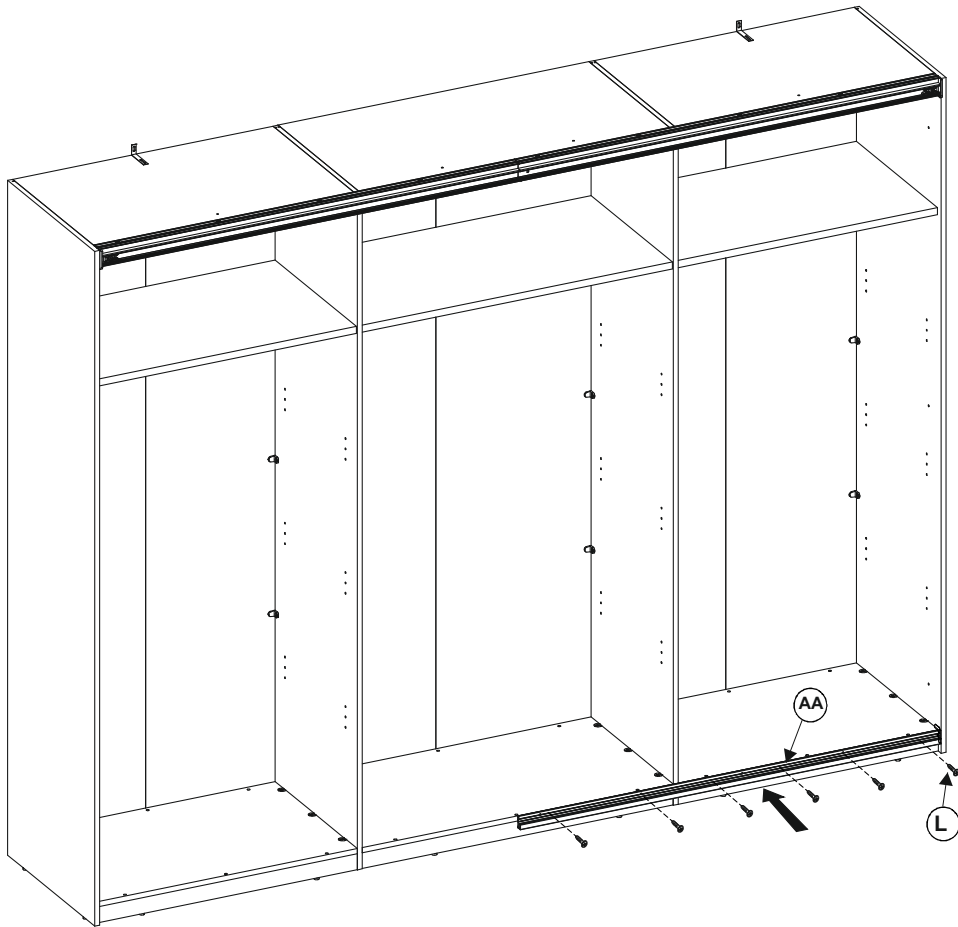
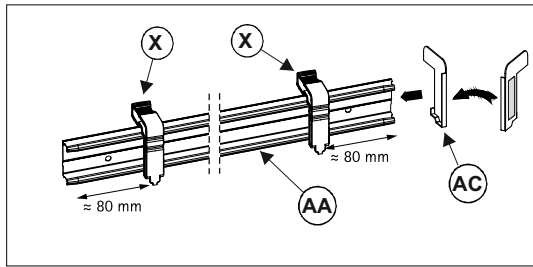
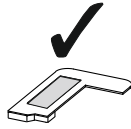
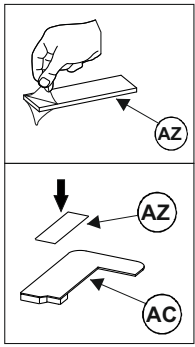
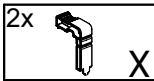


25

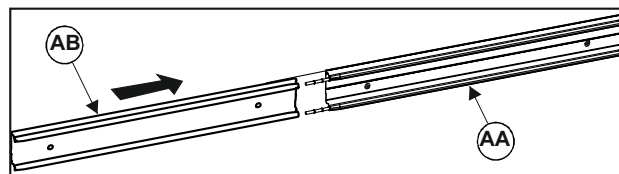
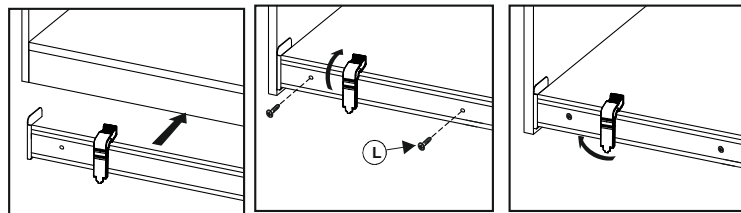
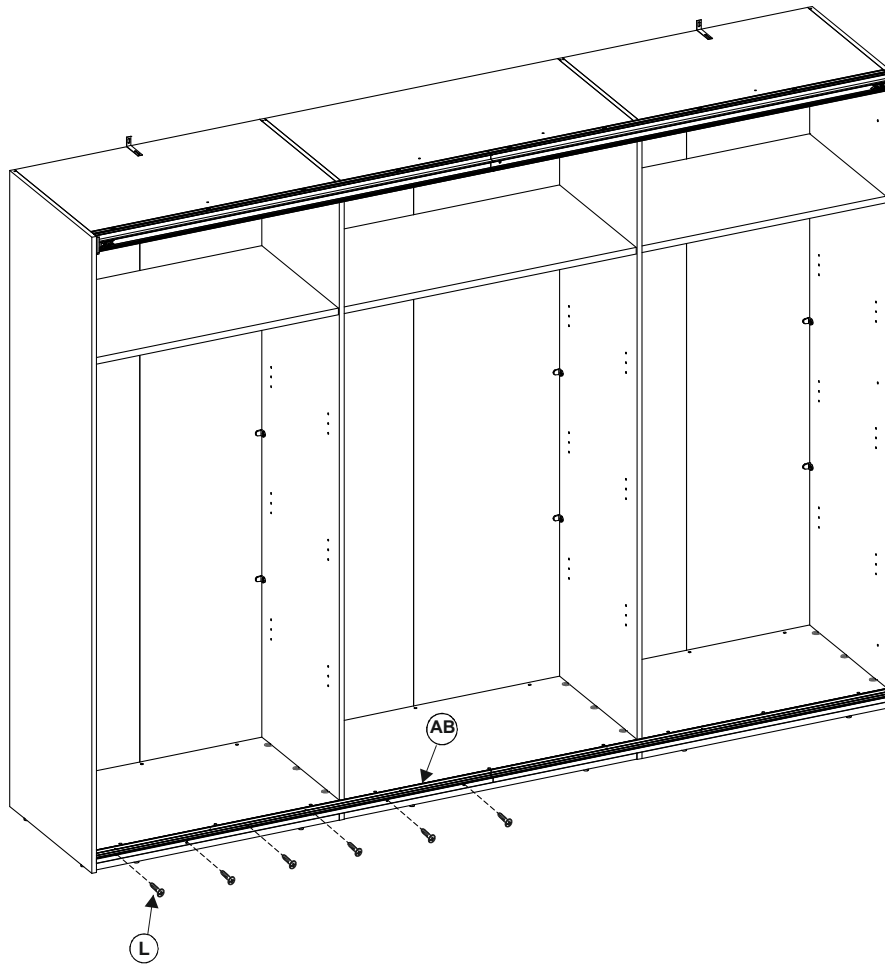
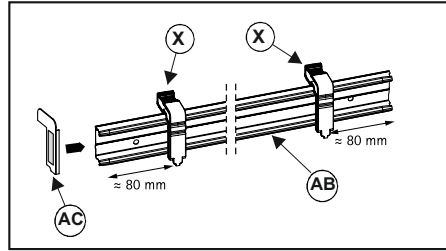
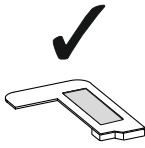
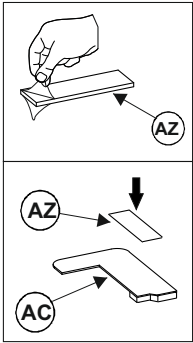


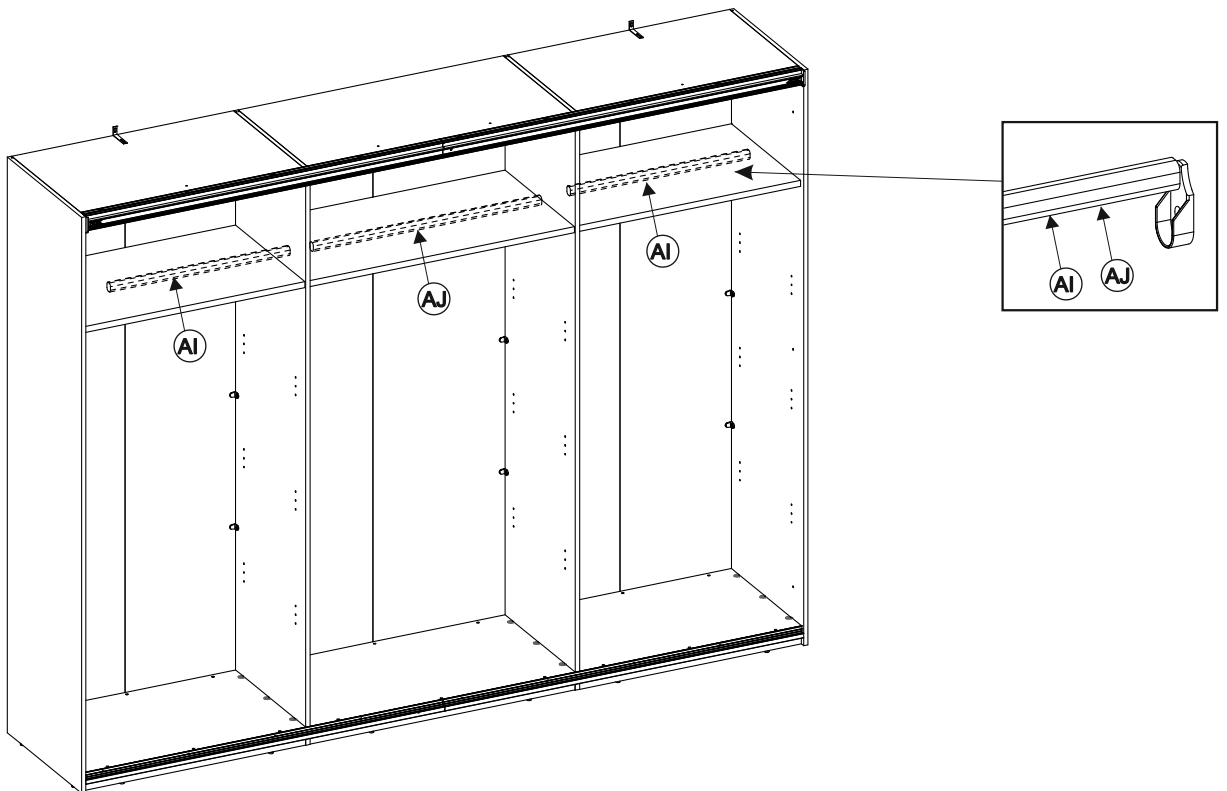
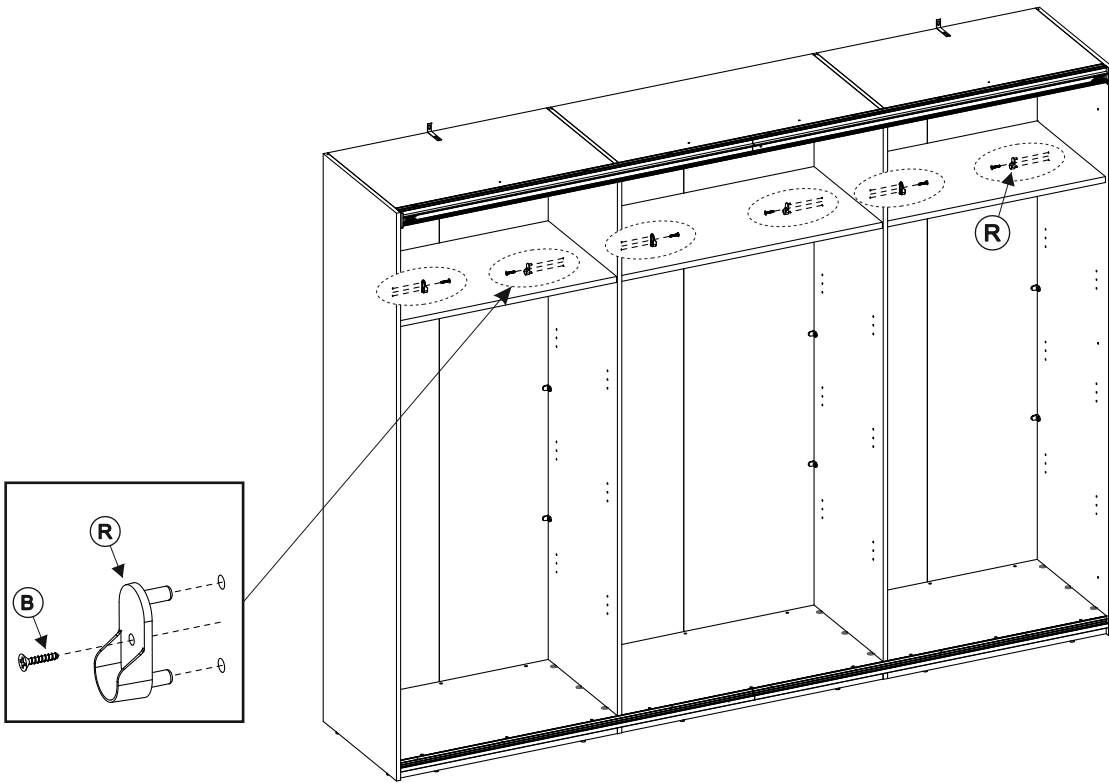
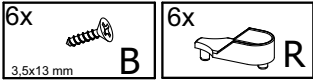
26



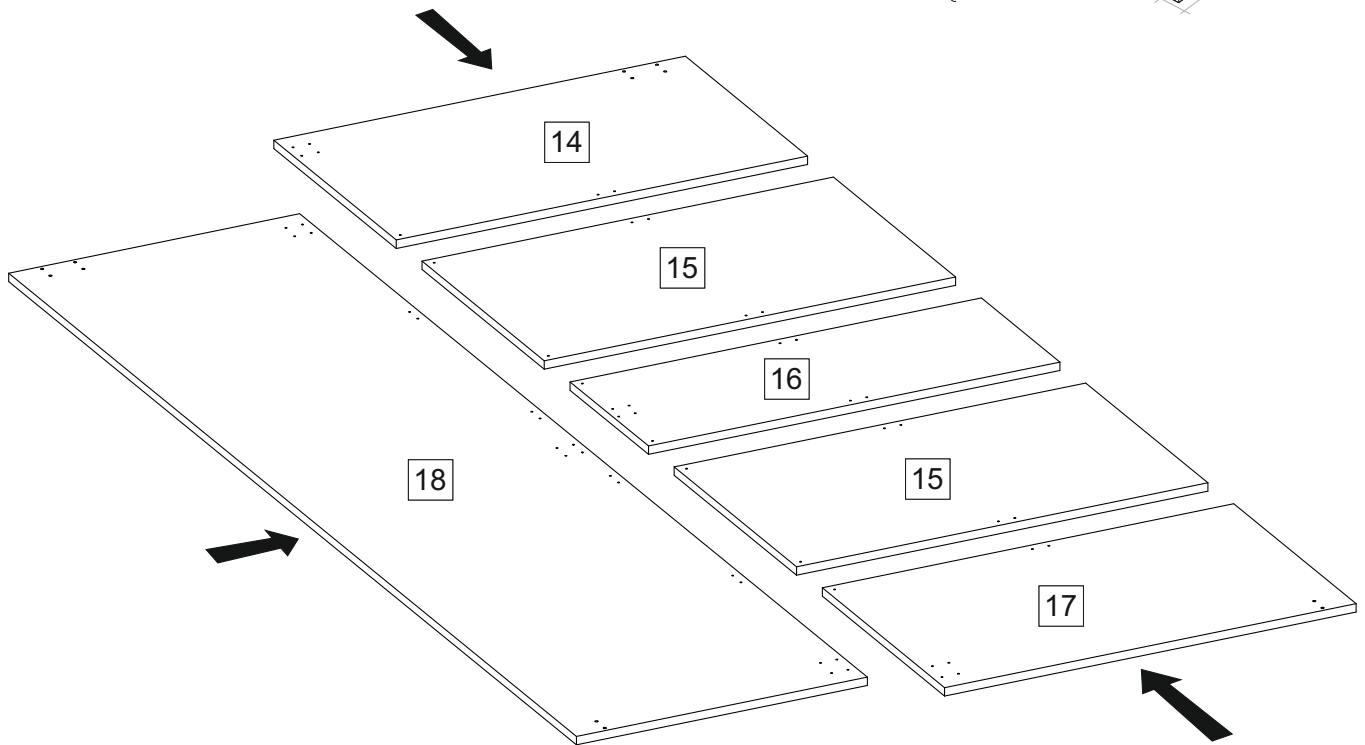
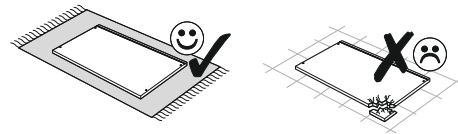


- 6x  L
3,5x13 mm
- 2x  X
- 1x  AC
- 1x  AB
- 1x  AZ

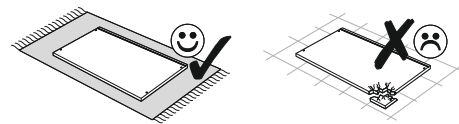




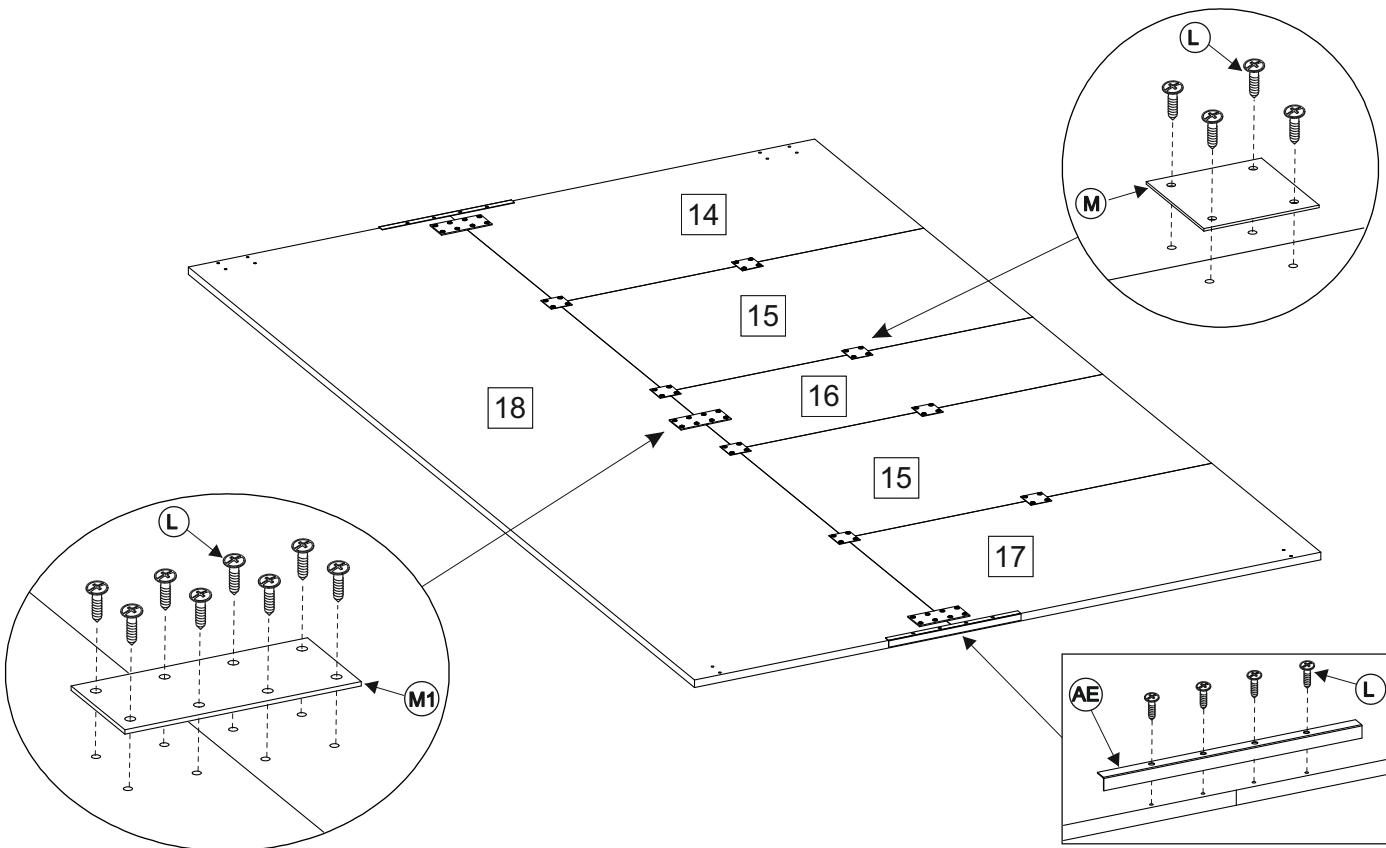
31


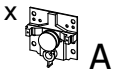
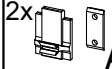
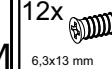


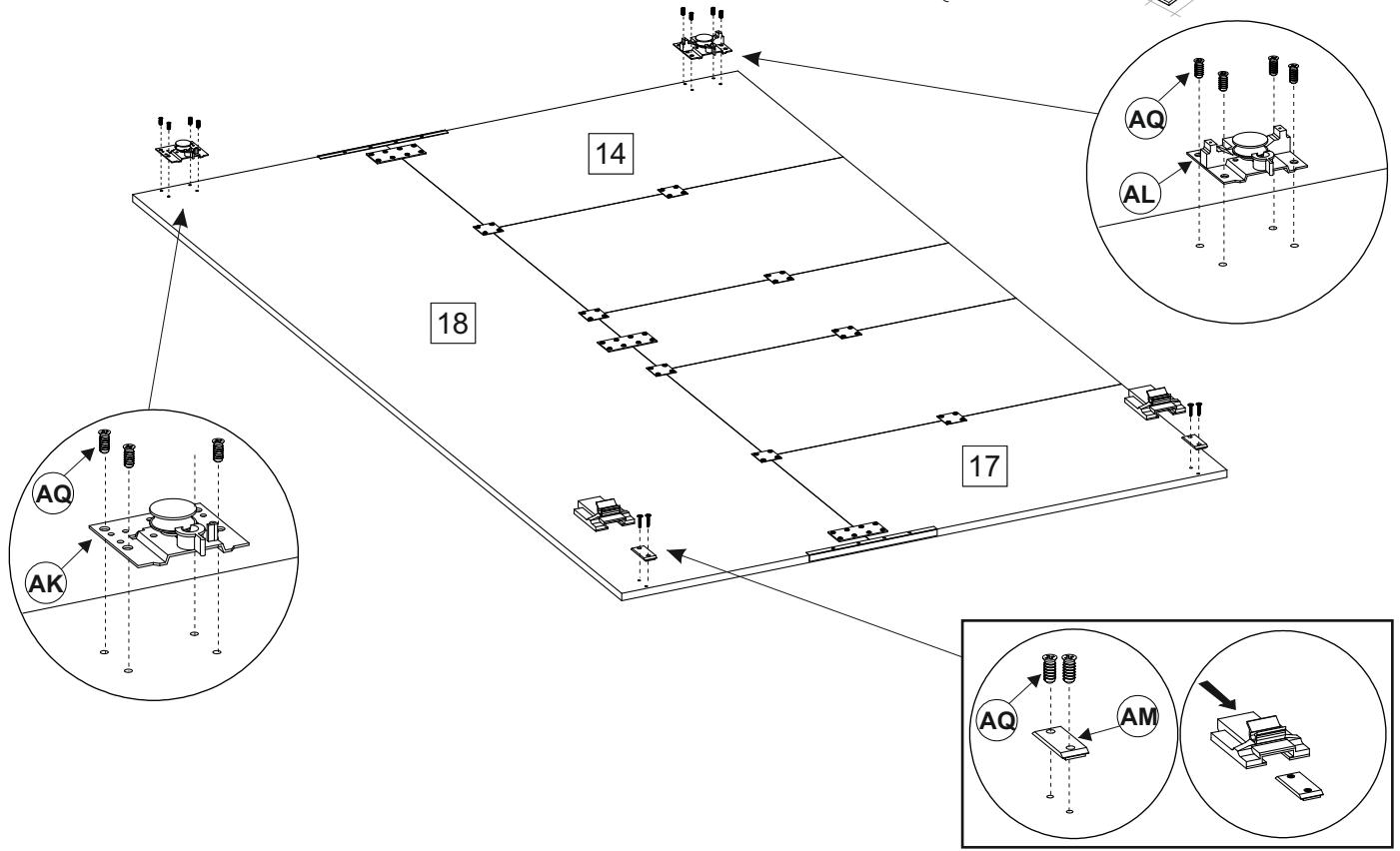
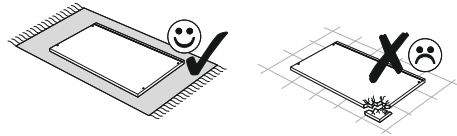
32



- 64x 3.5x13 mm L
- 8x M
- 3x M1
- 2x AE



- 1x  AK
- 1x  AL
- 2x  AM
- 12x  6,3x13 mm AQ



- 1x  AT
- 20x  3,5x13 mm L
- 1x  AU
- 1x  AX

