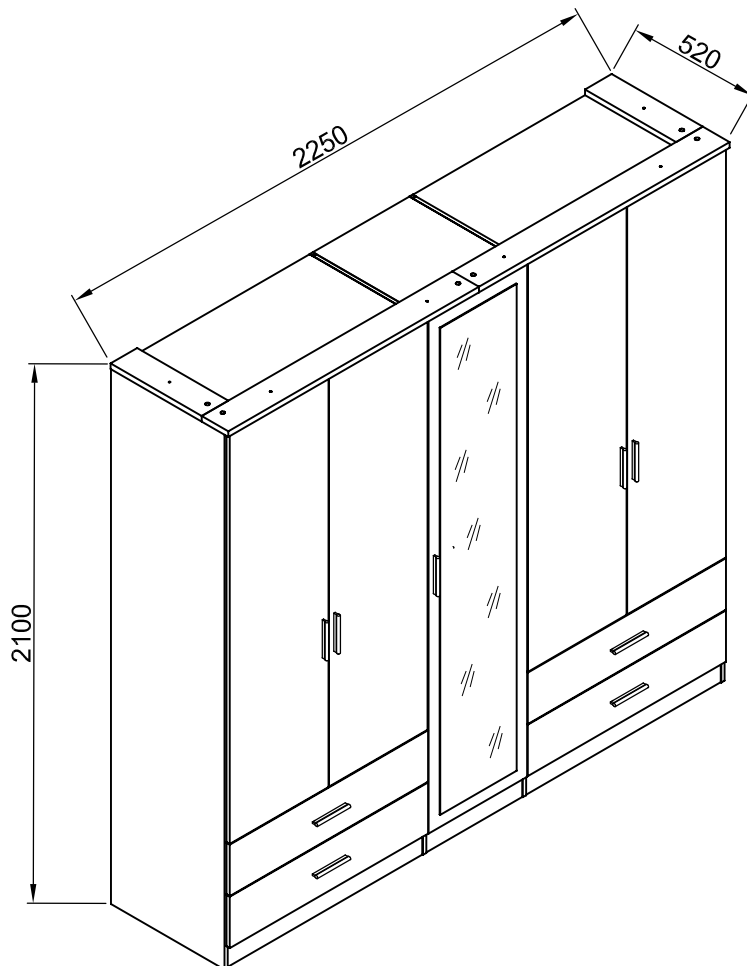
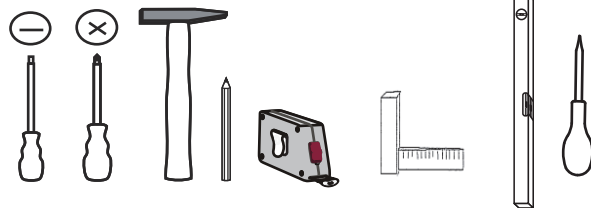
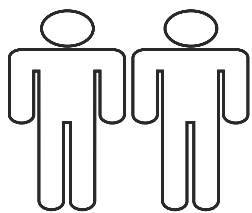
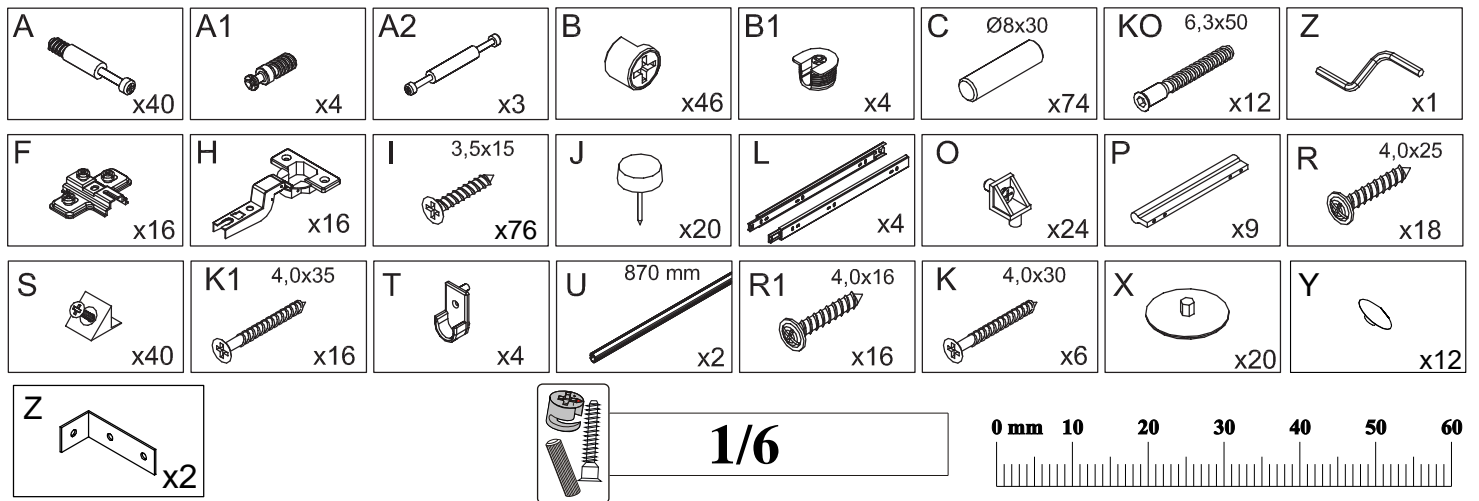


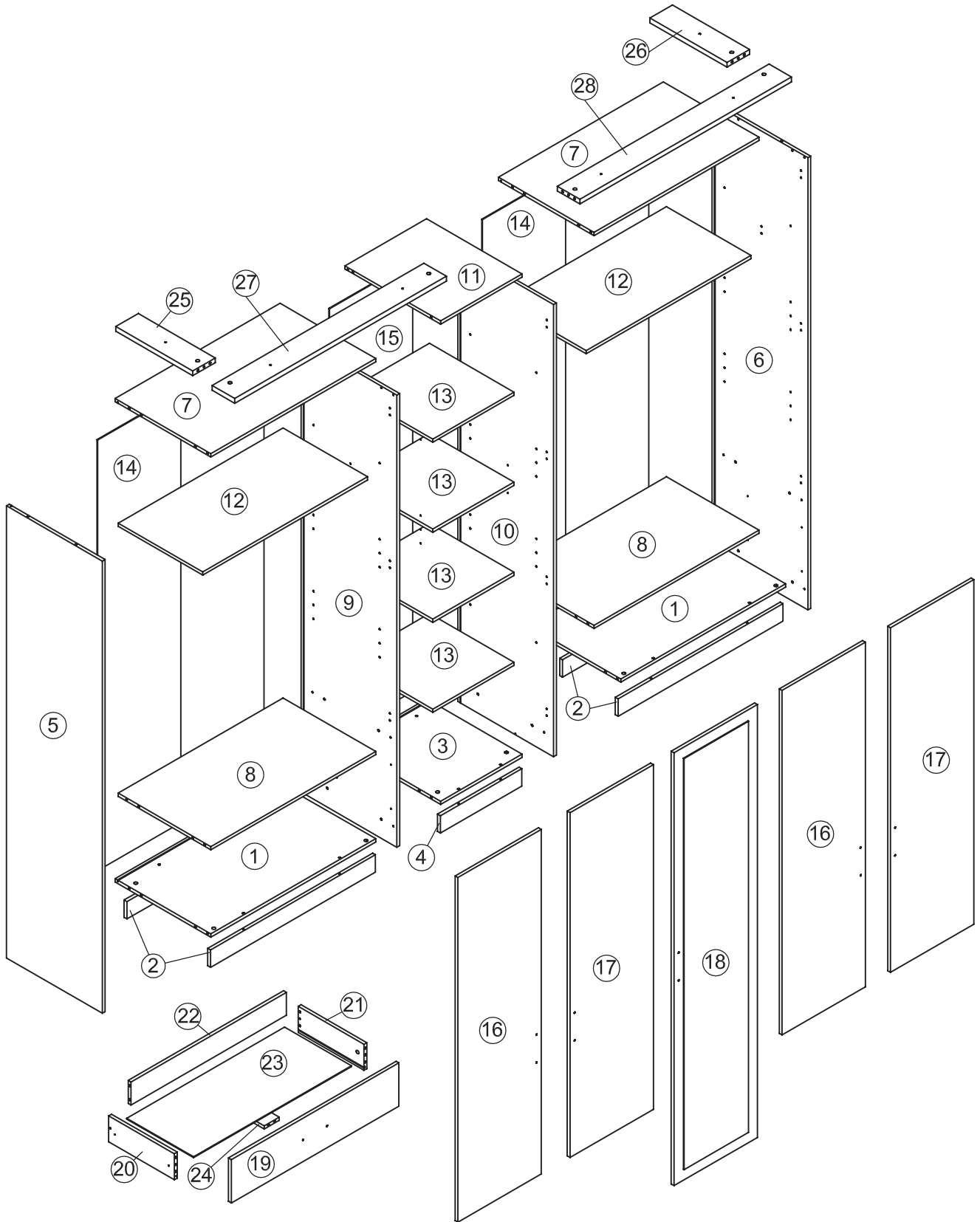
SAVINA KLS 5-trg.

55-702-FP-9

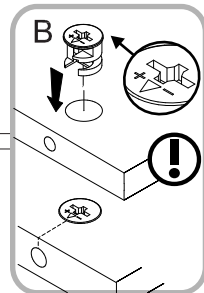
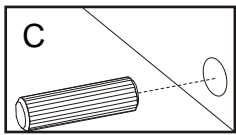
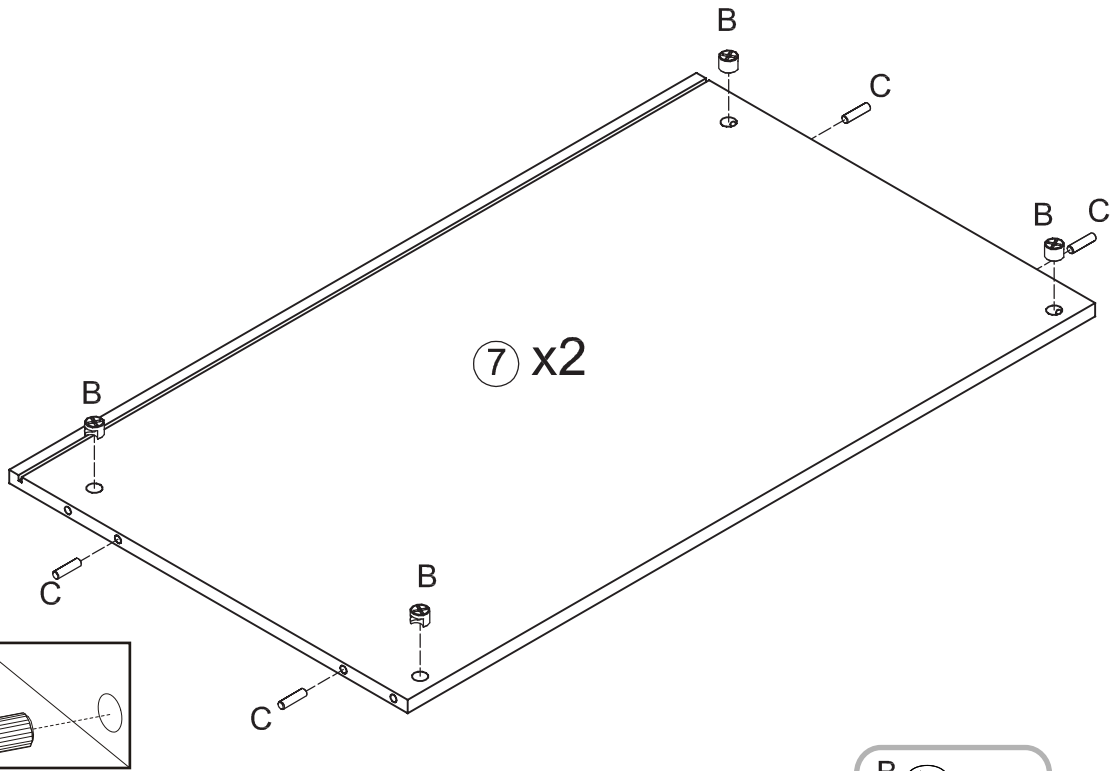
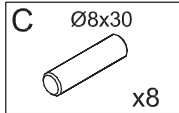
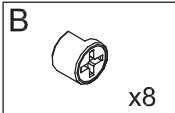




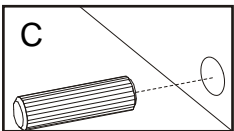
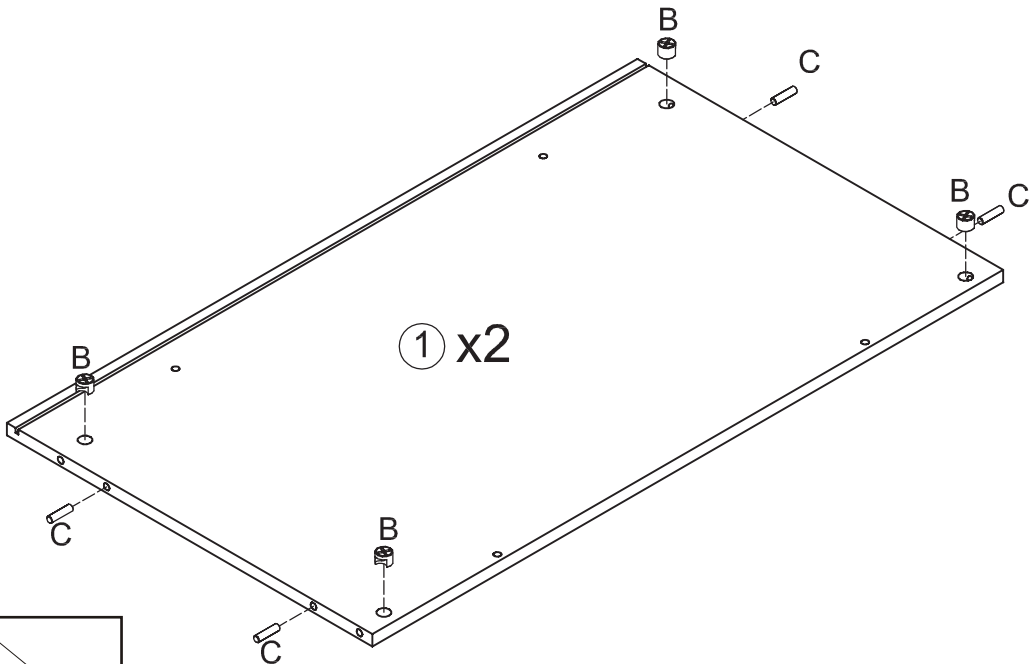
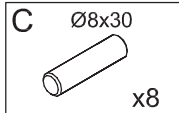
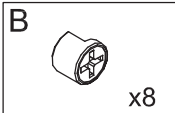
Nr	Ausmaß	Stücke	Colli
1	878x509x15	2	2/6
2	878x80x15	4	4/6
3	434x509x15	1	2/6
4	434x80x15	2	1/6
5	2085x510x15	1	5/6
6	2085x510x15	1	5/6
7	878x509x15	2	2/6
8	878x493x15	2	1/6
9	2085x510x15	1	6/6
10	2085x510x15	1	6/6
11	434x509x15	1	2/6
12	877x450x15	2	4/6
13	433x450x15	4	4/6
14	1985x886x3	2	5/6
15	1985x443x3	1	6/6
16	1589x444x15	2	3/6
17	1589x444x15	2	3/6
18	1996x444x18	1	4/6
19	892x200x15	4	1/6
20	350x120x15	4	1/6
21	350x120x15	4	1/6
22	827x106x15	4	2/6
23	840x356x3	4	6/6
24	350x80x15	4	1/6
25	410x120x22	1	1/6
26	410x120x22	1	1/6
27	1127x120x22	1	1/6
28	1127x120x22	1	1/6



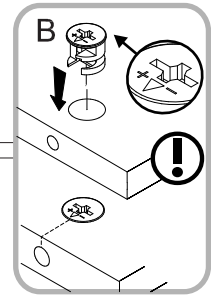
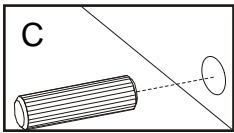
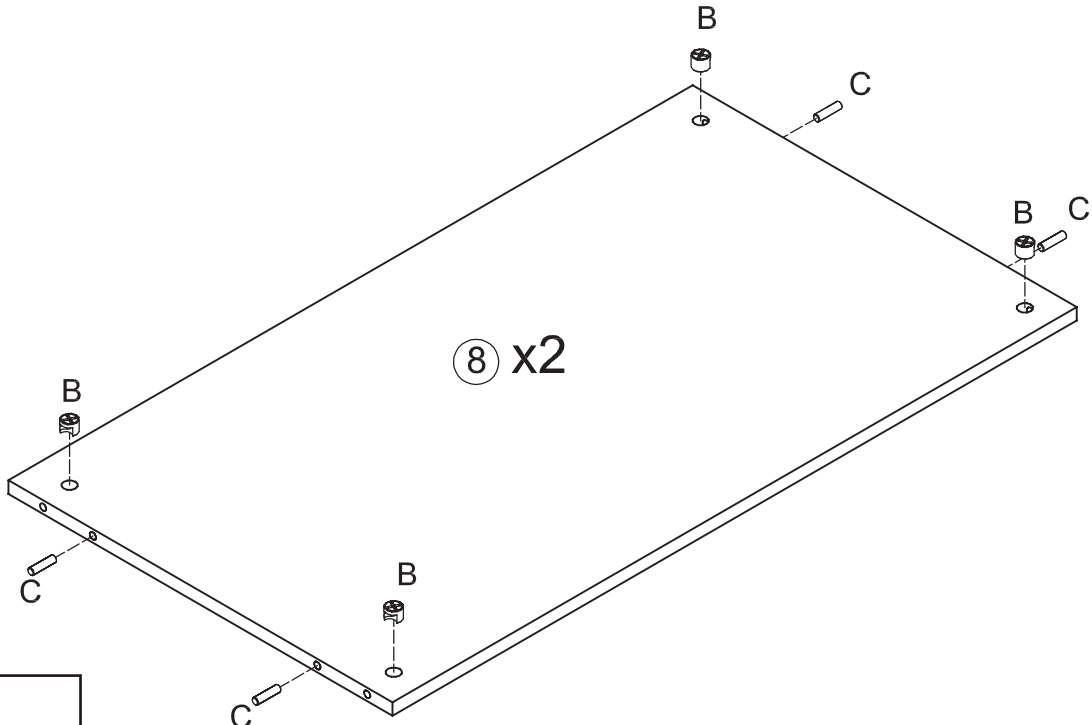
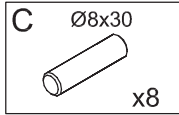
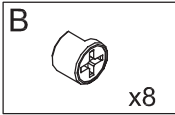
1



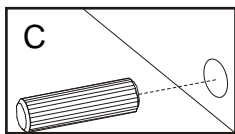
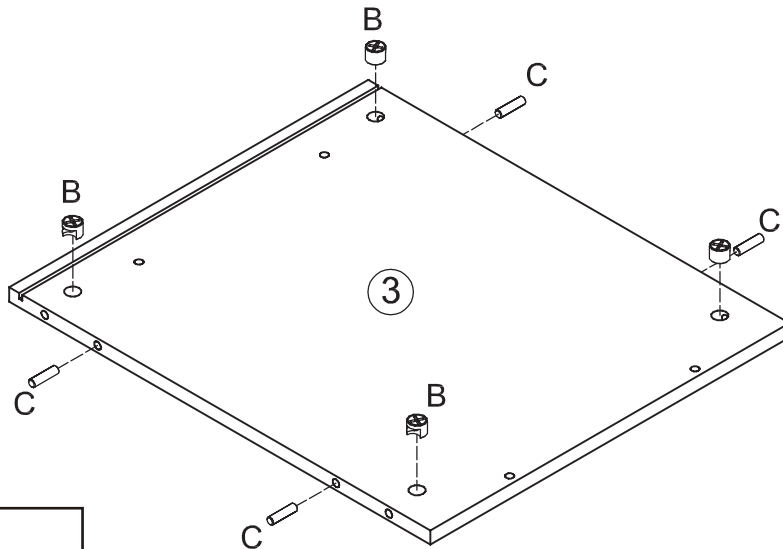
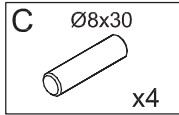
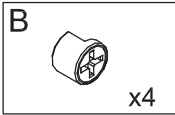
2



3

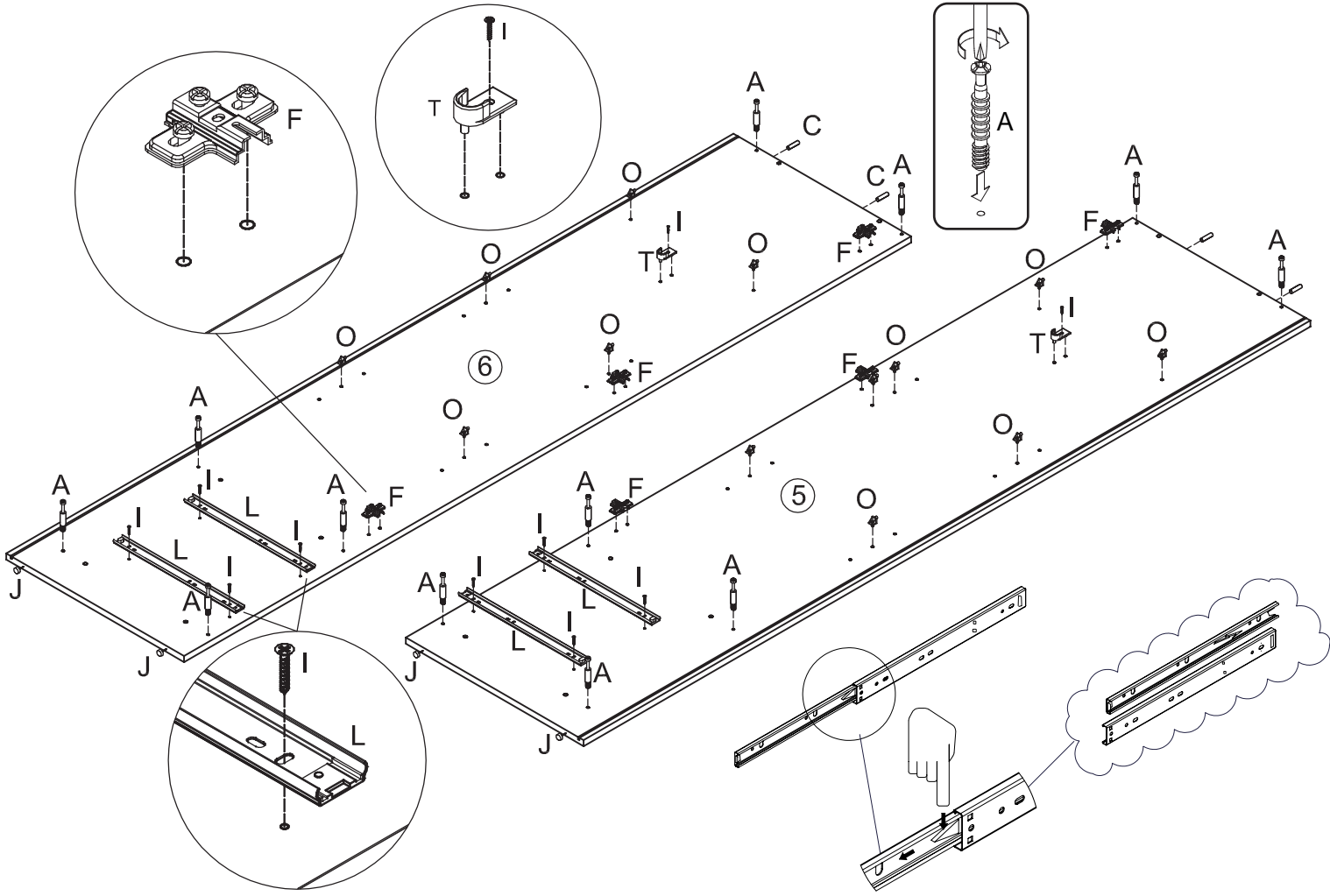


4



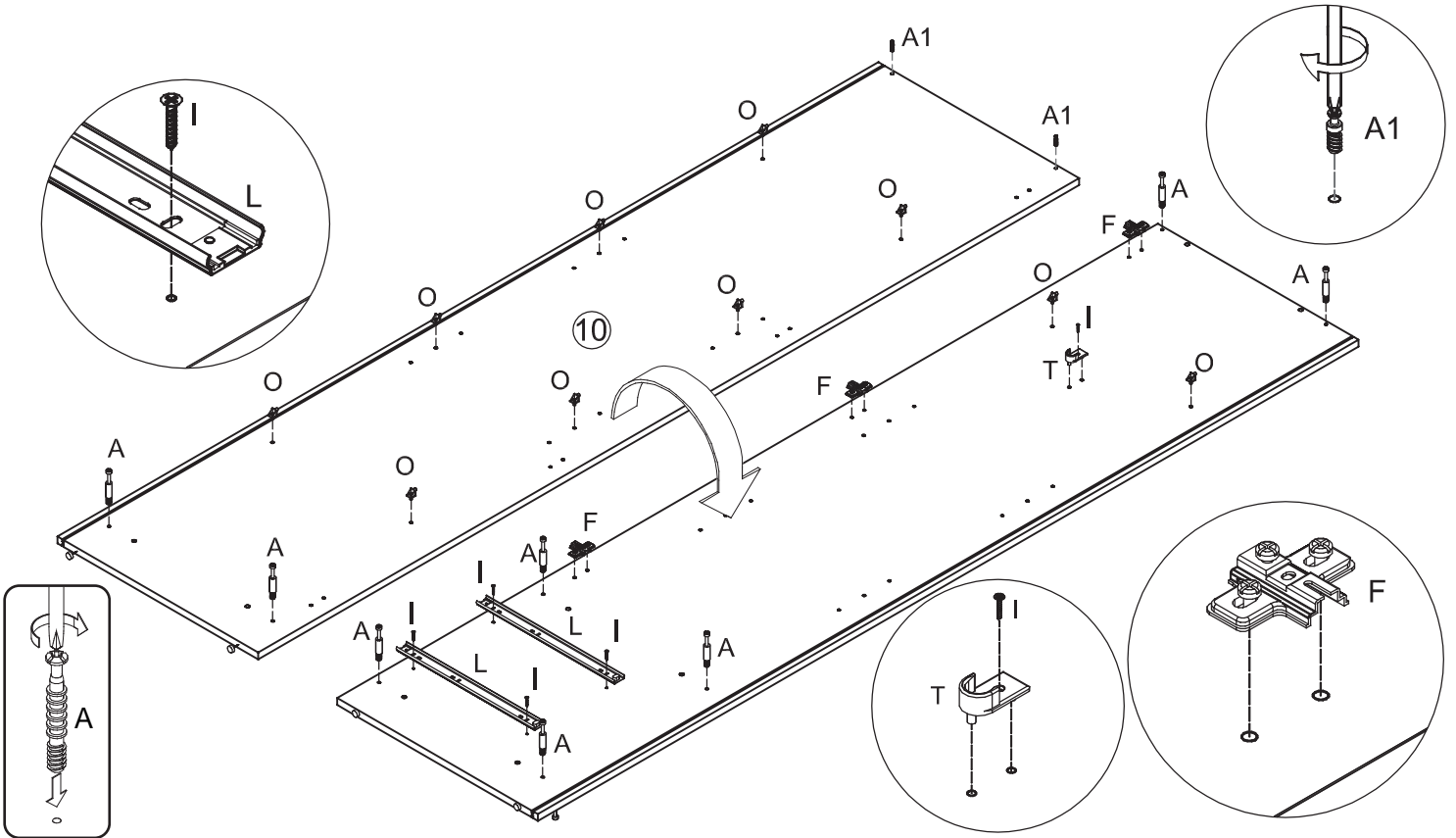
5

- | | | | | | | | |
|-----|---------|----|----|-----|----|----------|----|
| A | C Ø8x30 | L | F | O | T | I 3,5x15 | J |
| x12 | x4 | x4 | x6 | x12 | x2 | x10 | x4 |






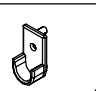
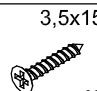
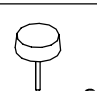


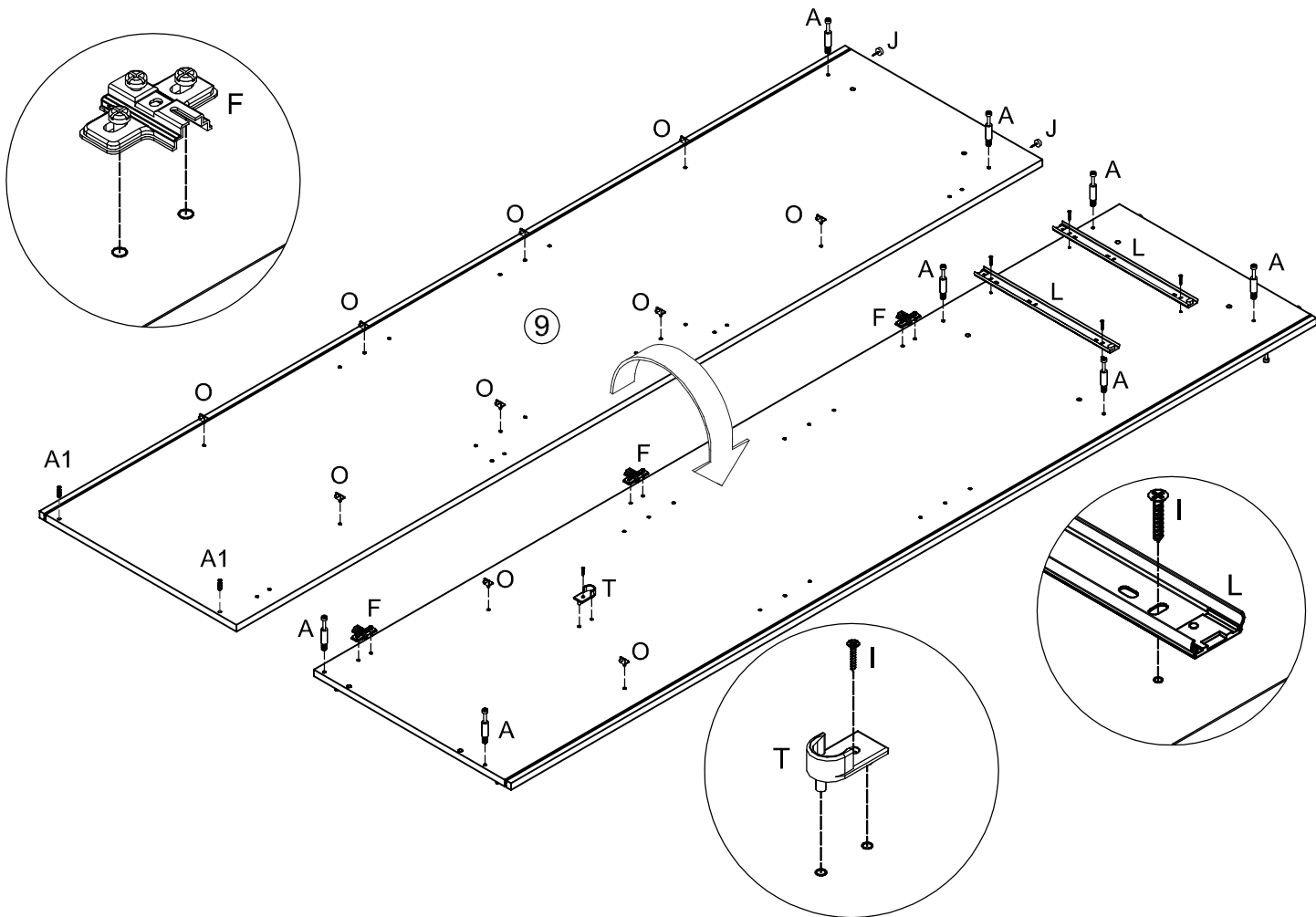
6

- | | | | | | | | |
|----|----|----|----|-----|----|----------|----|
| A | A1 | L | F | O | T | I 3,5x15 | J |
| x8 | x2 | x2 | x3 | x10 | x1 | x15 | x2 |



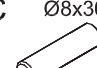


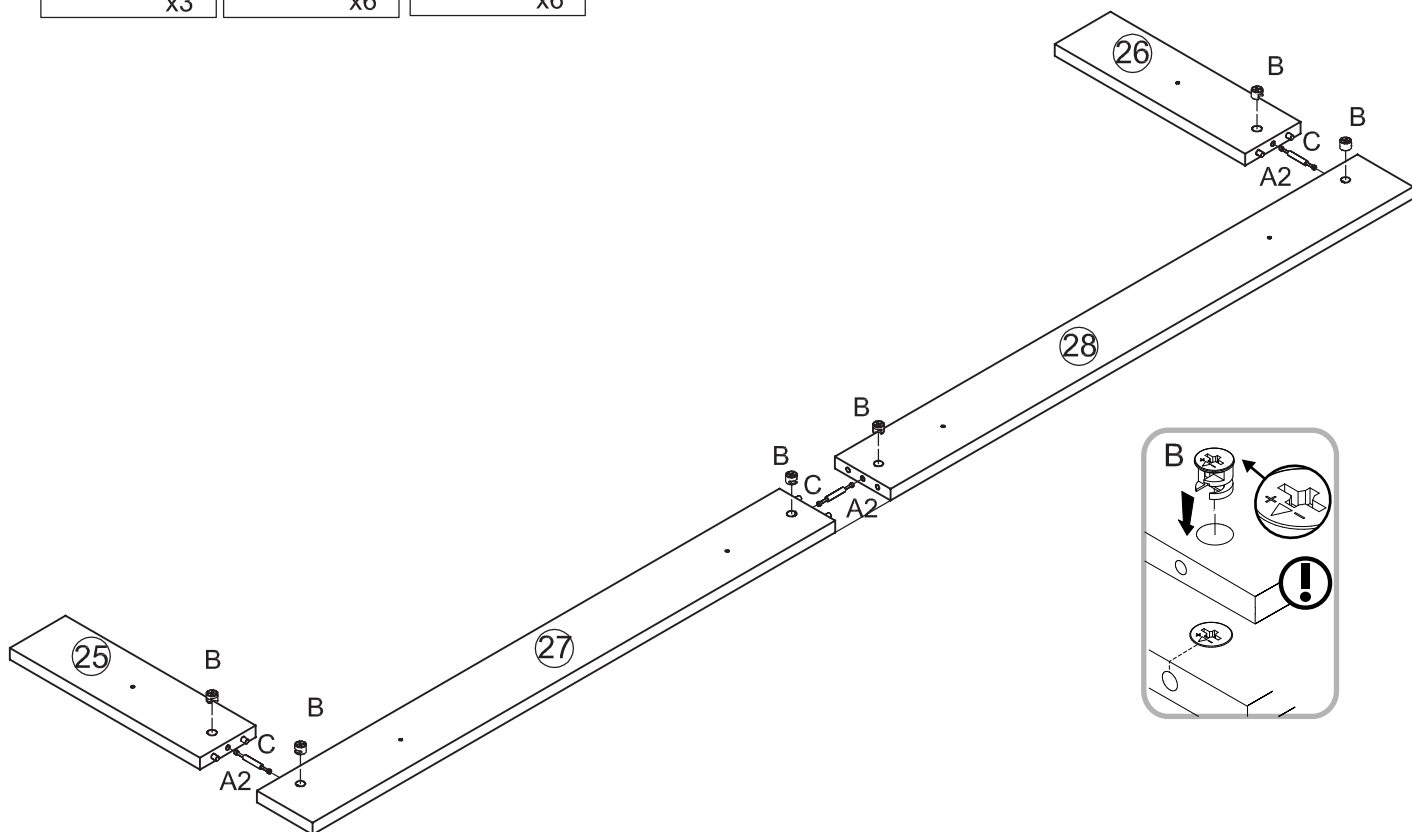
7

- A  x8
- A1  x2
- L  x2
- F  x3
- O  x10
- T  x1
- I  3,5x15 x5
- J  x2

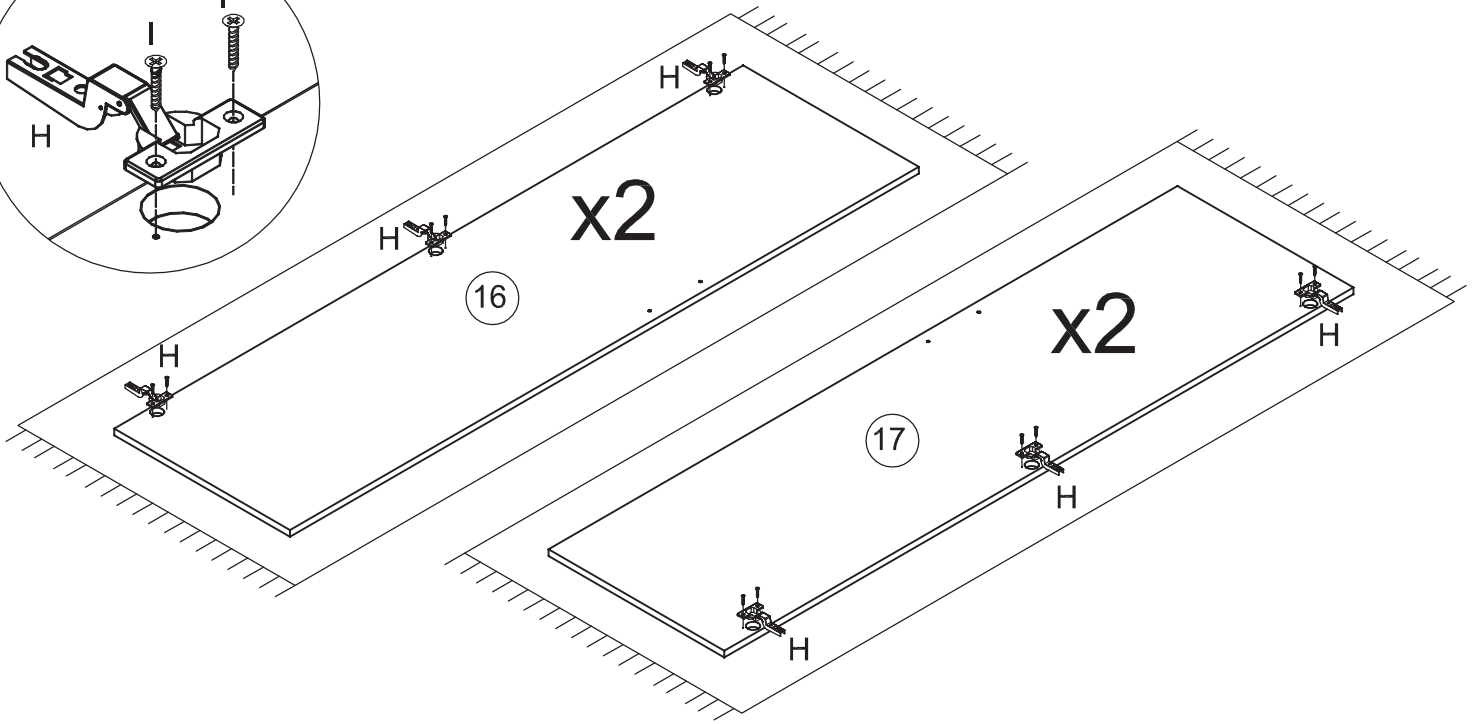
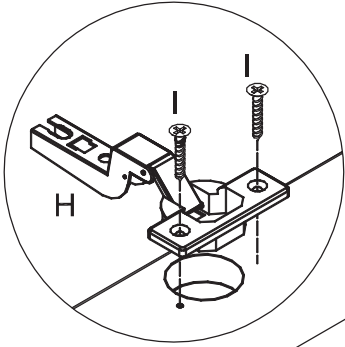
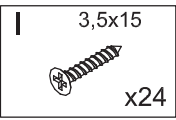
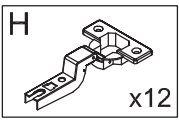


8

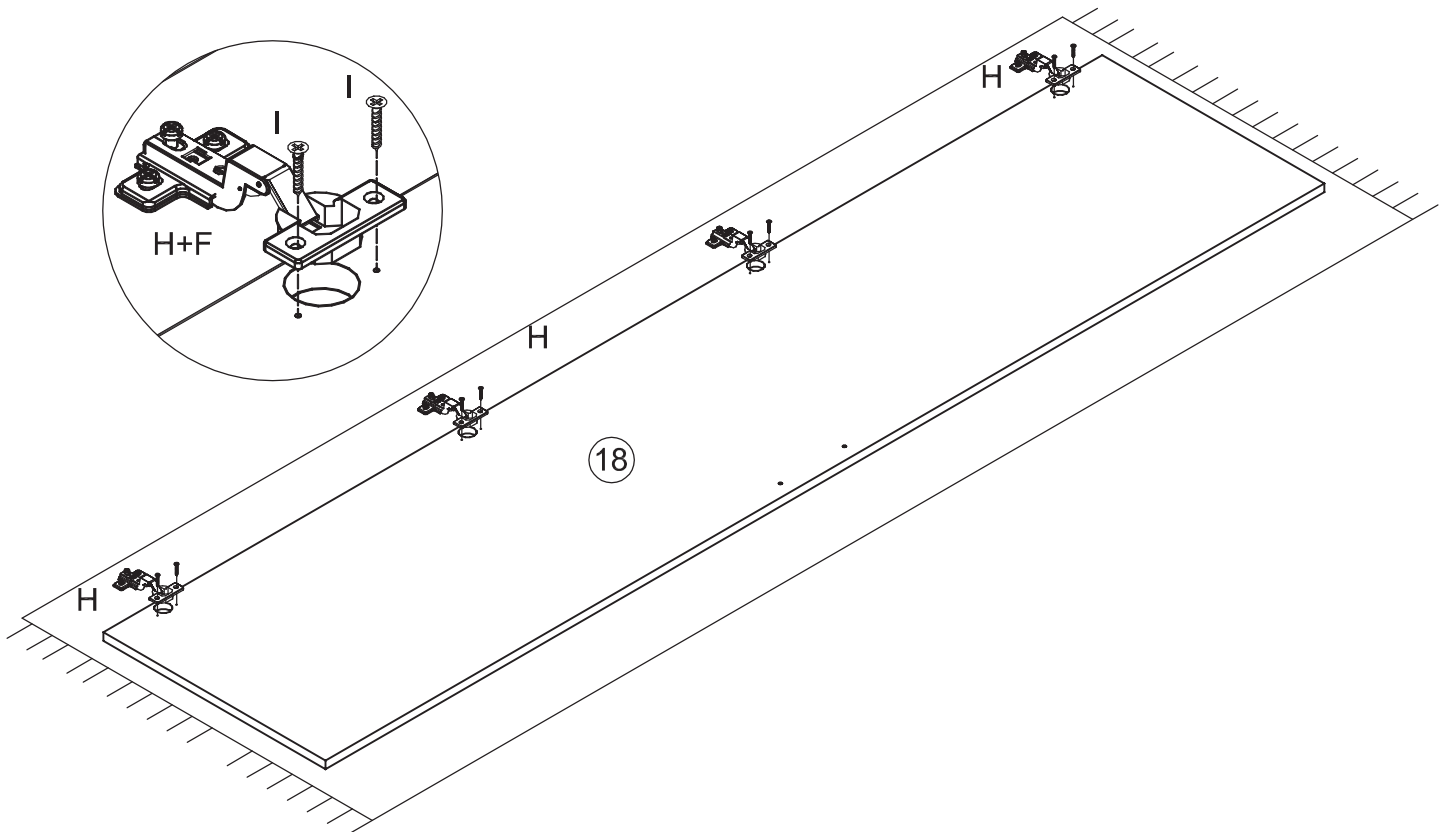
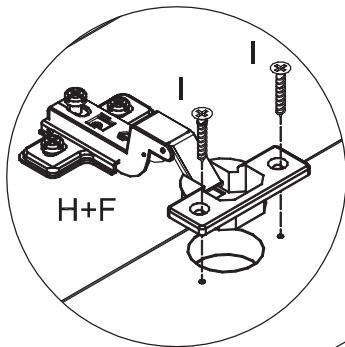
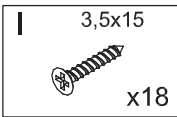
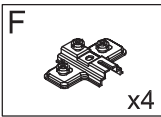
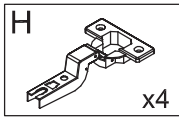
- A2  x3
- B  x6
- C  Ø8x30 x6

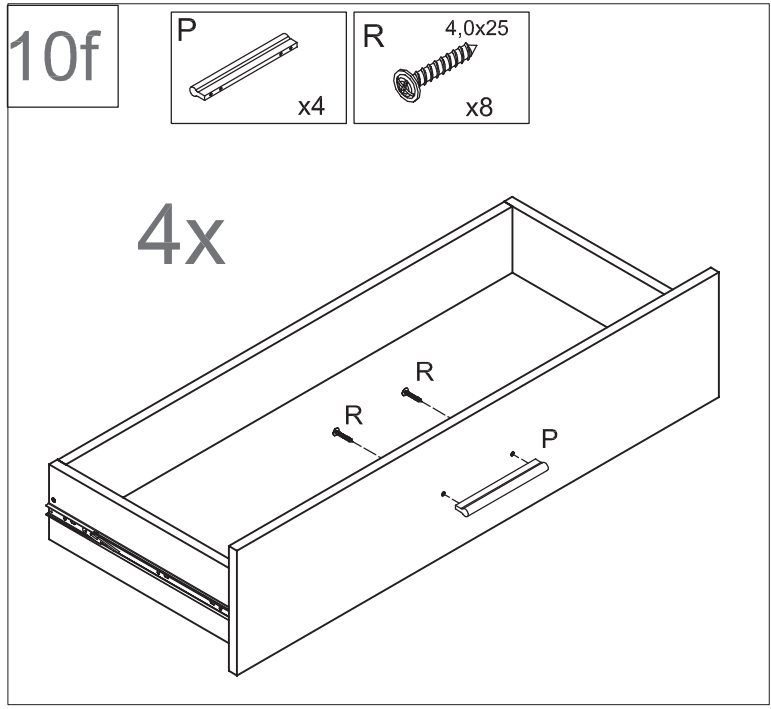
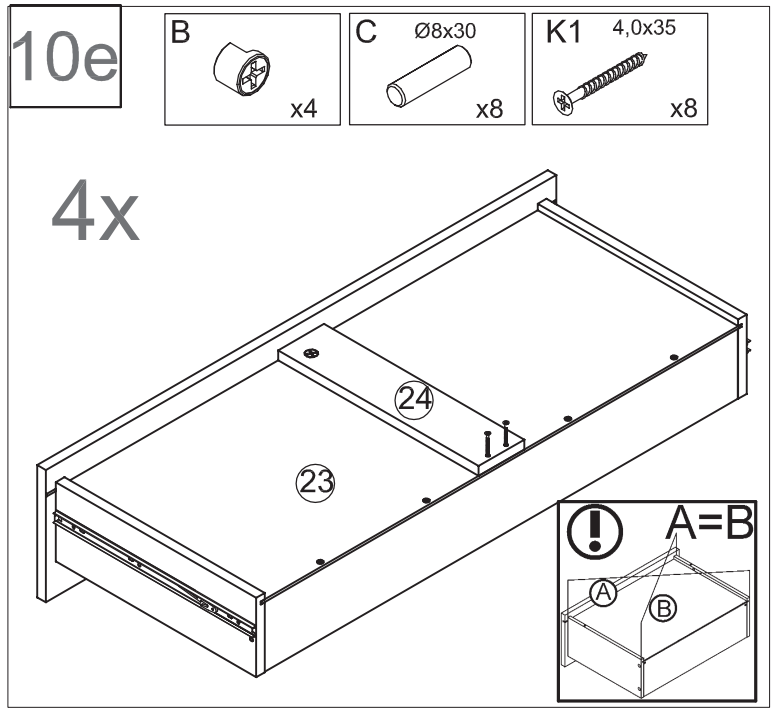
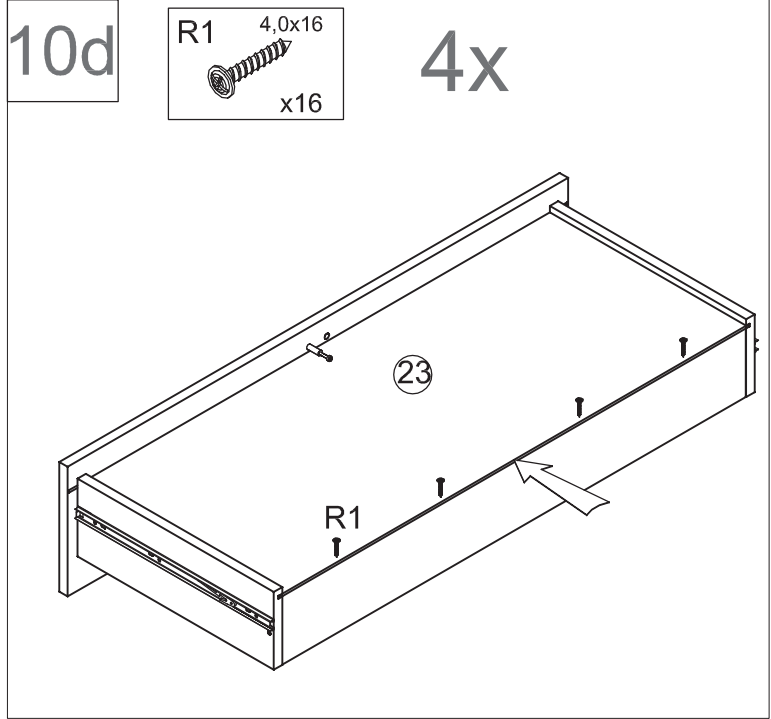
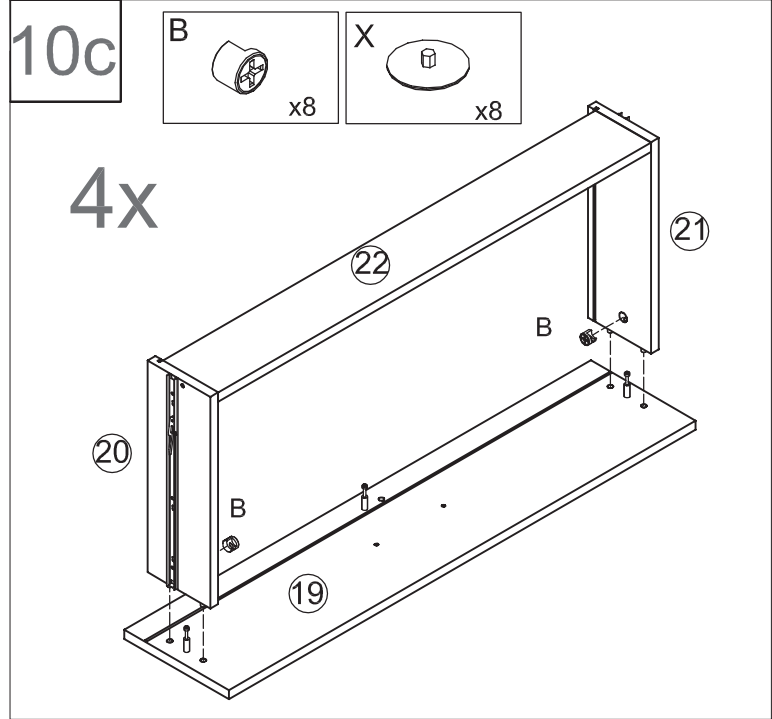
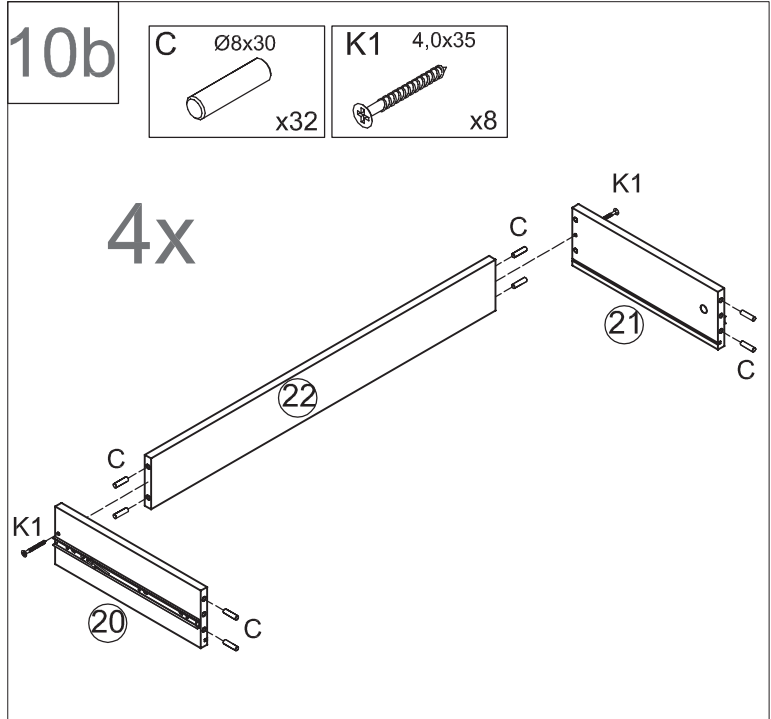
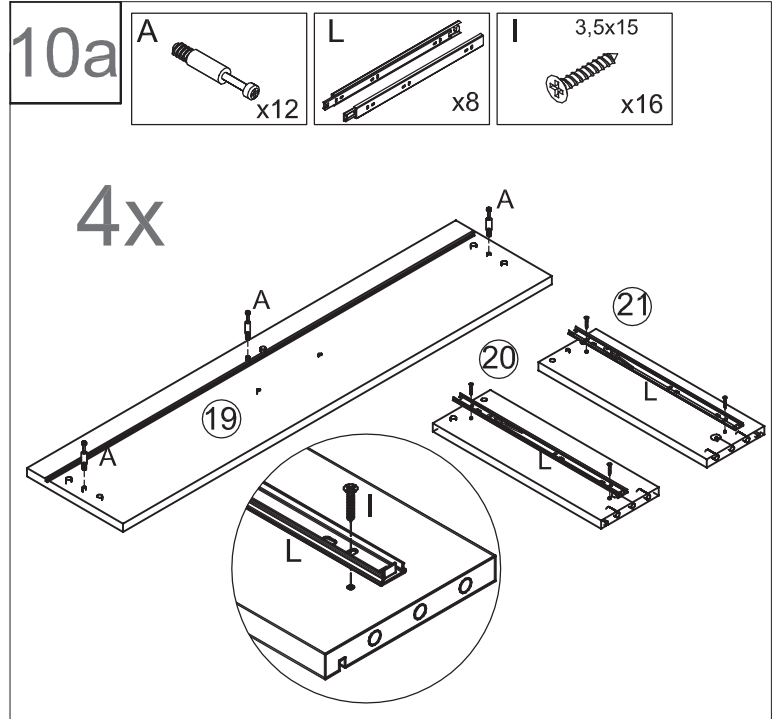


9

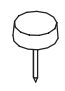




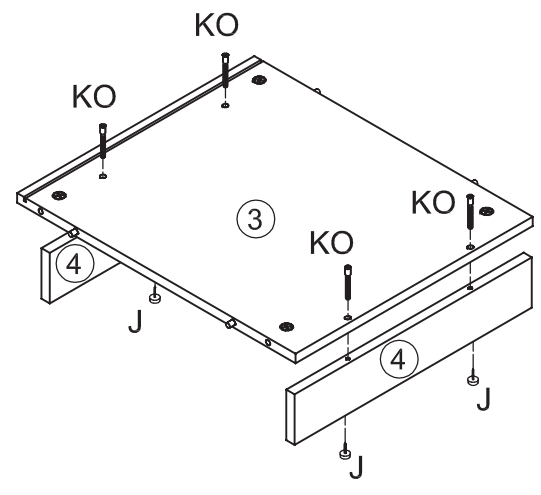
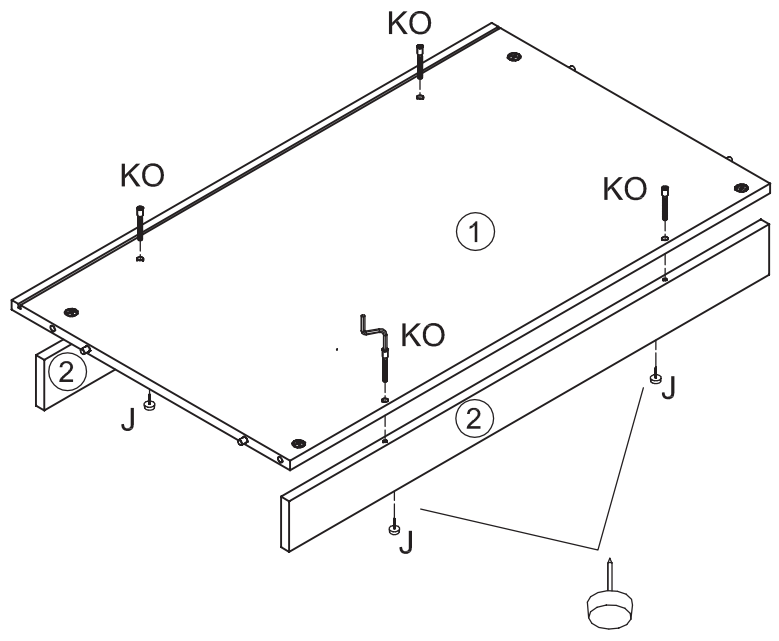
10



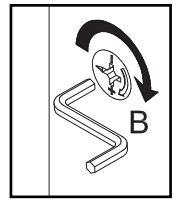
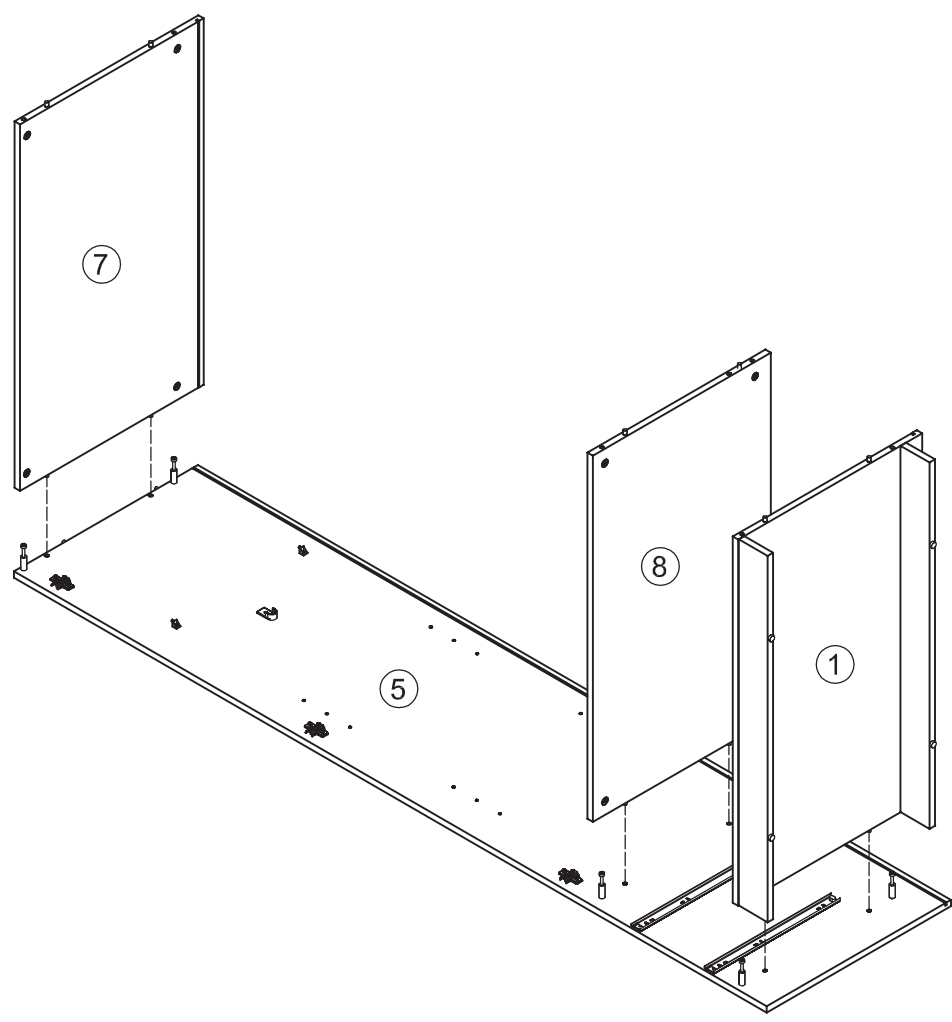


11

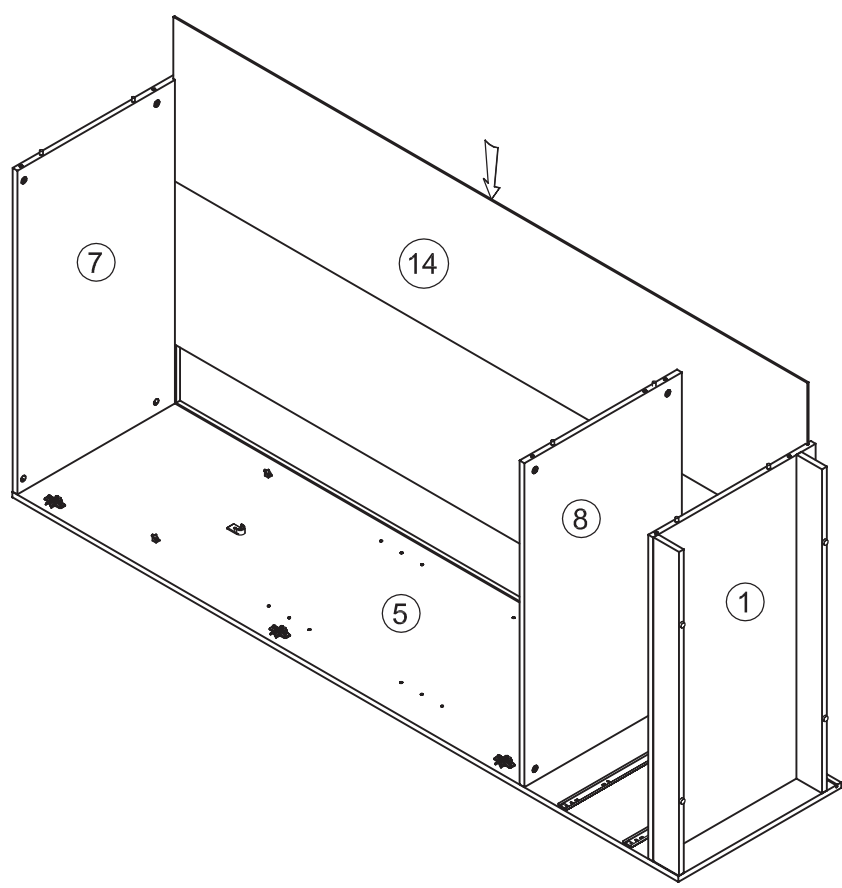
- J  x12
- KO 6,3x50  x12
- Z  x1



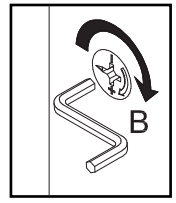
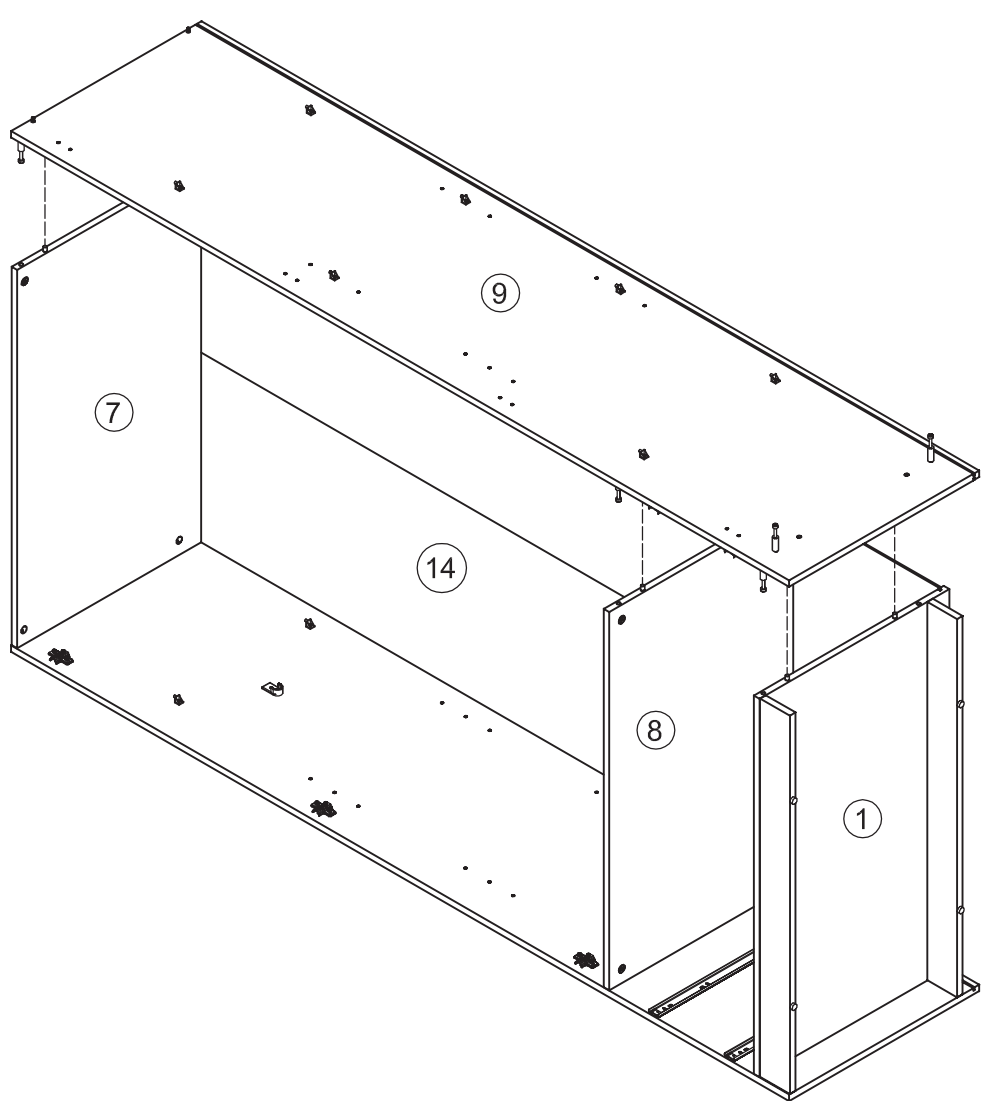
12



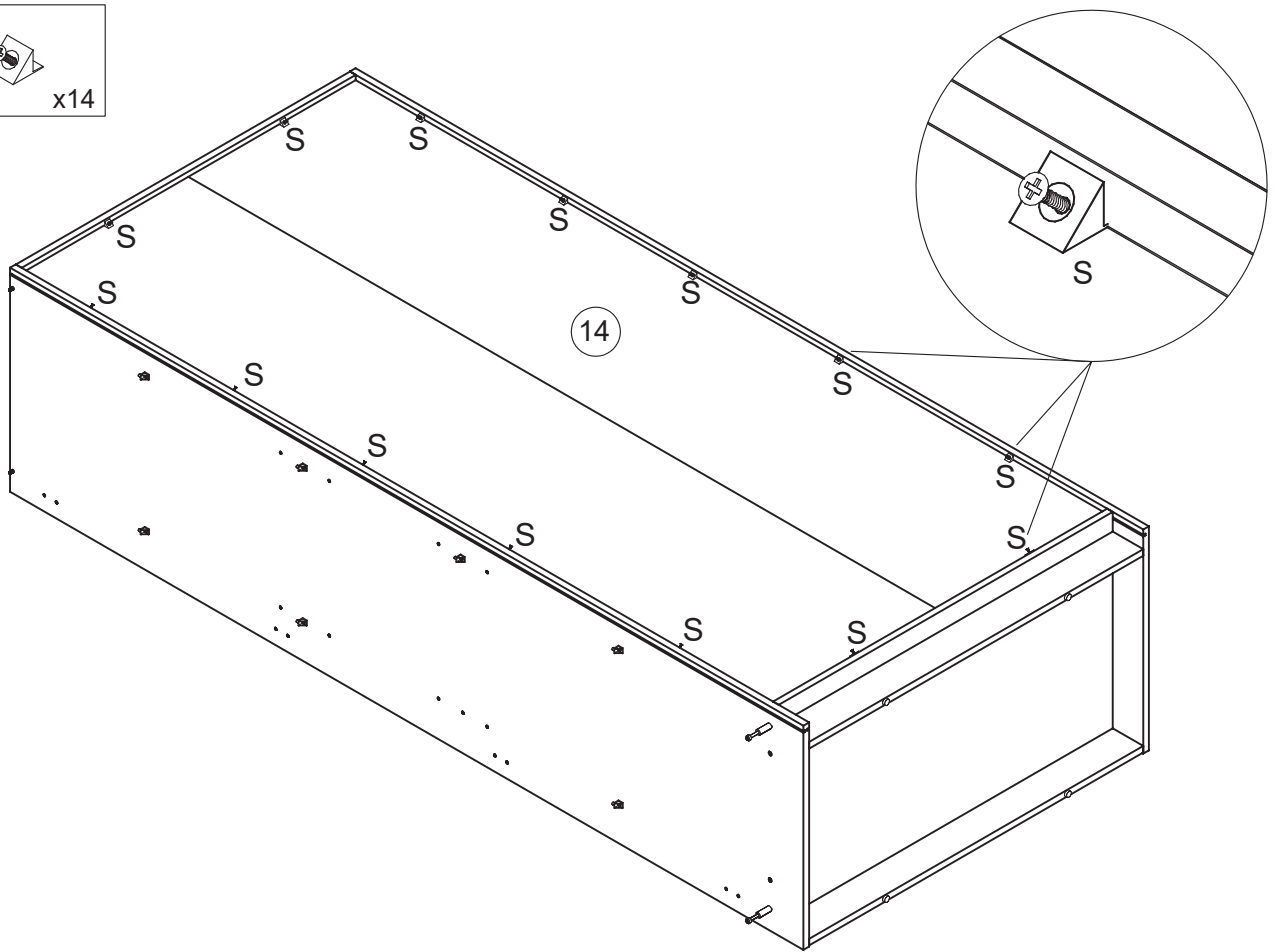
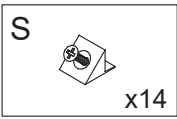
13



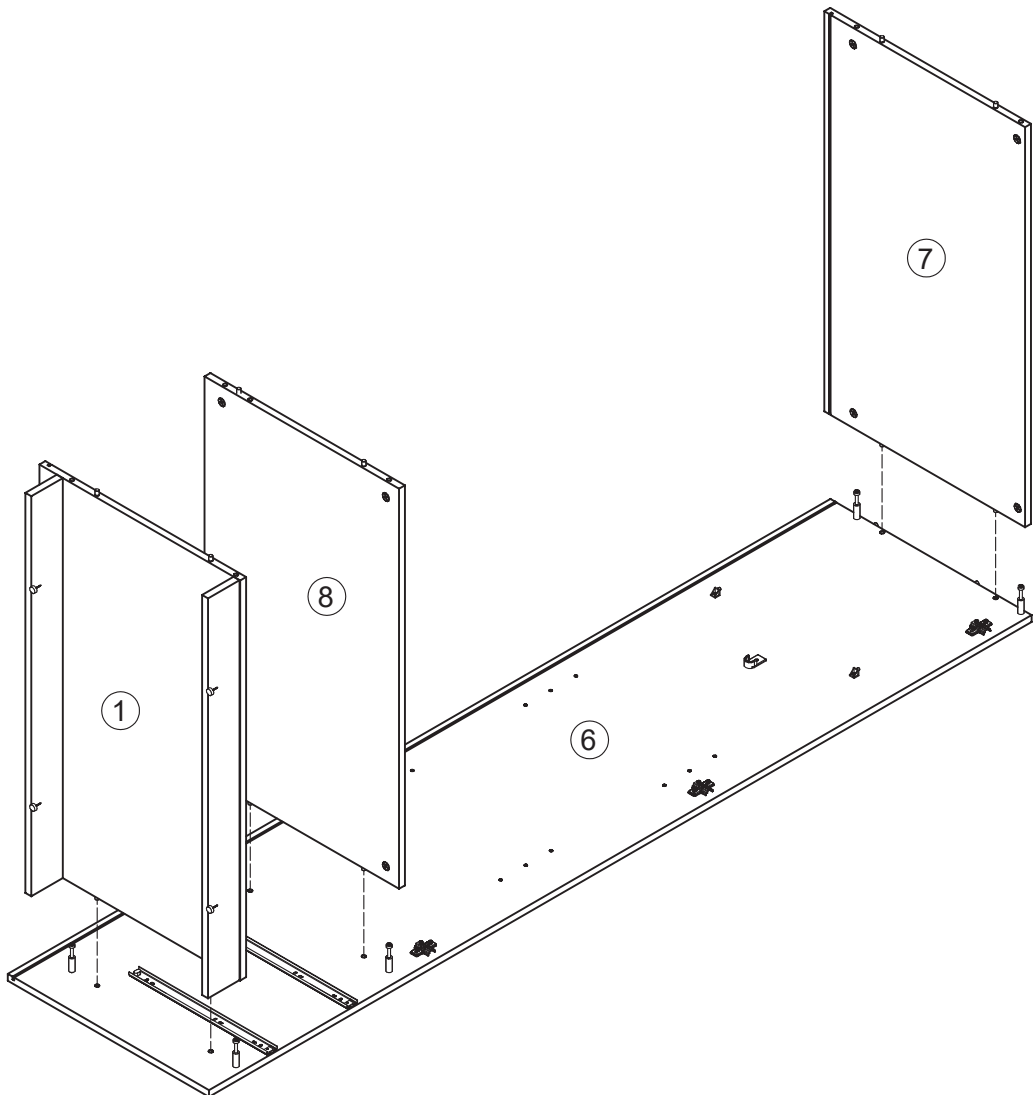
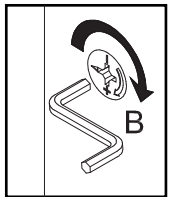
14



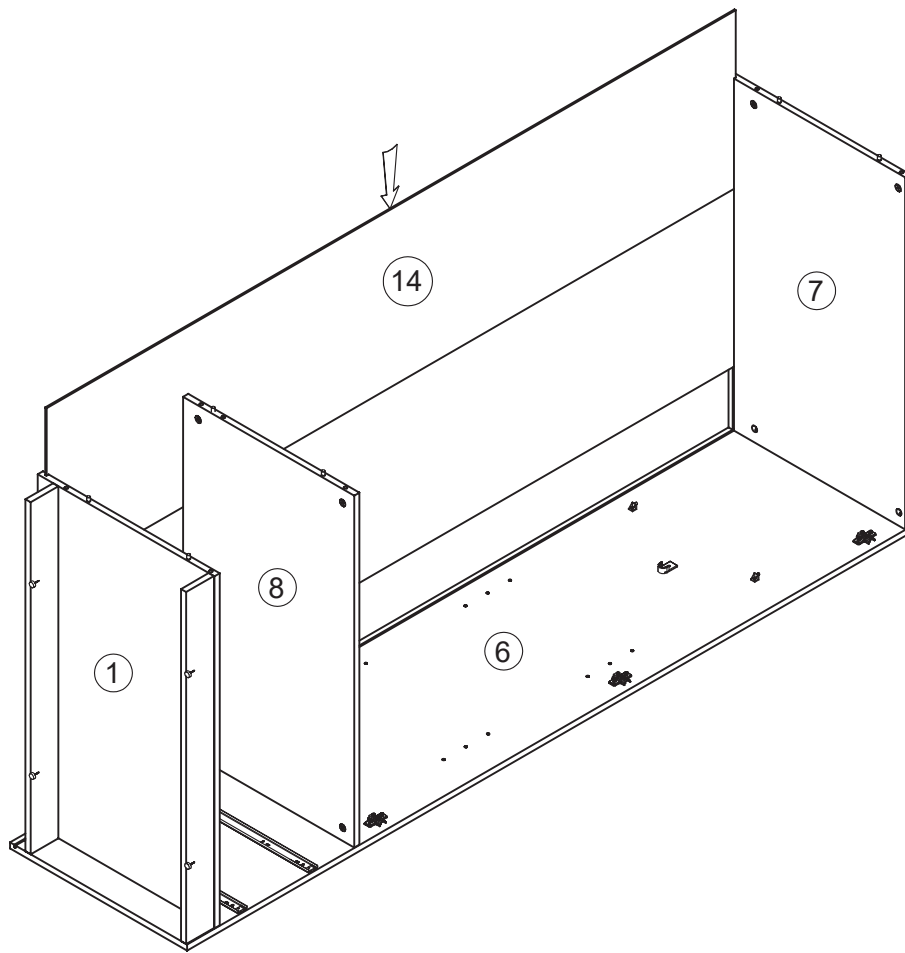
15



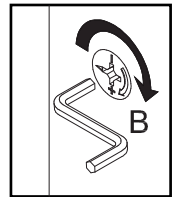
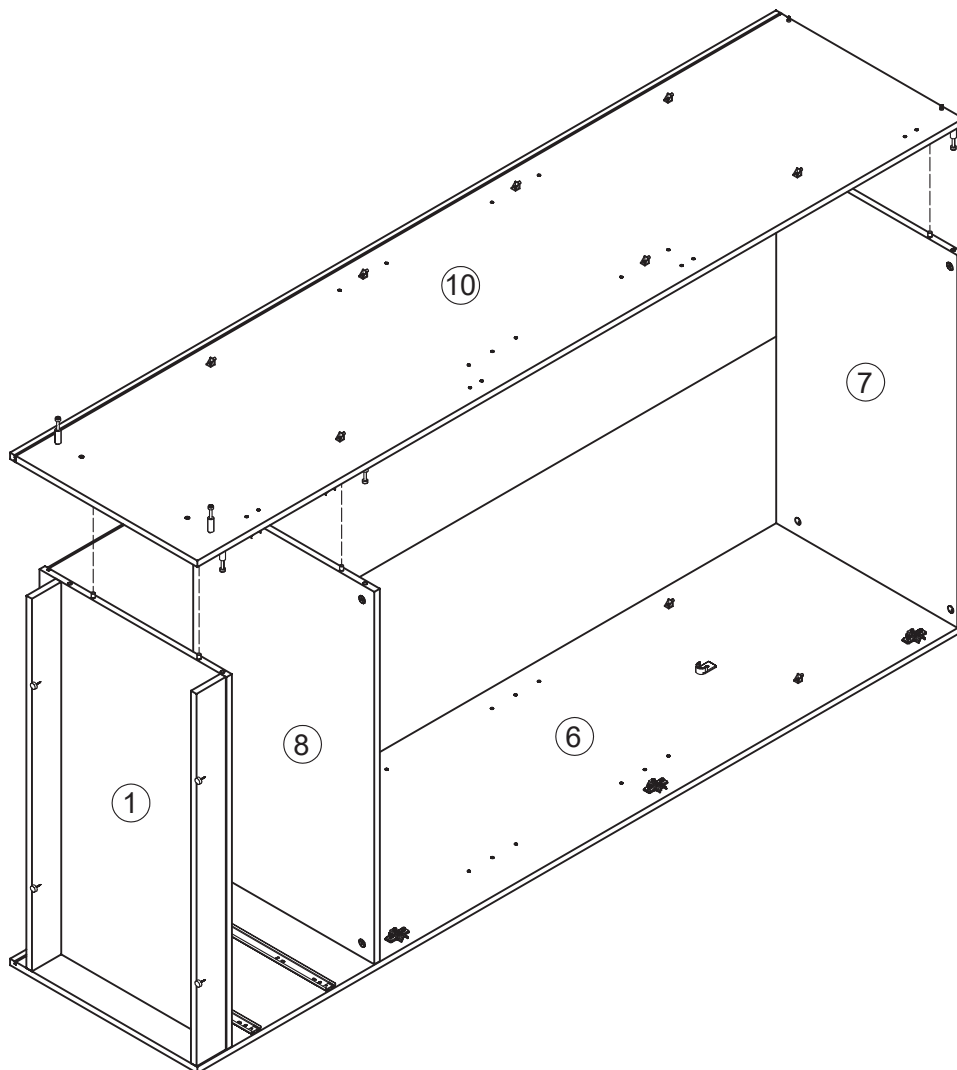
16



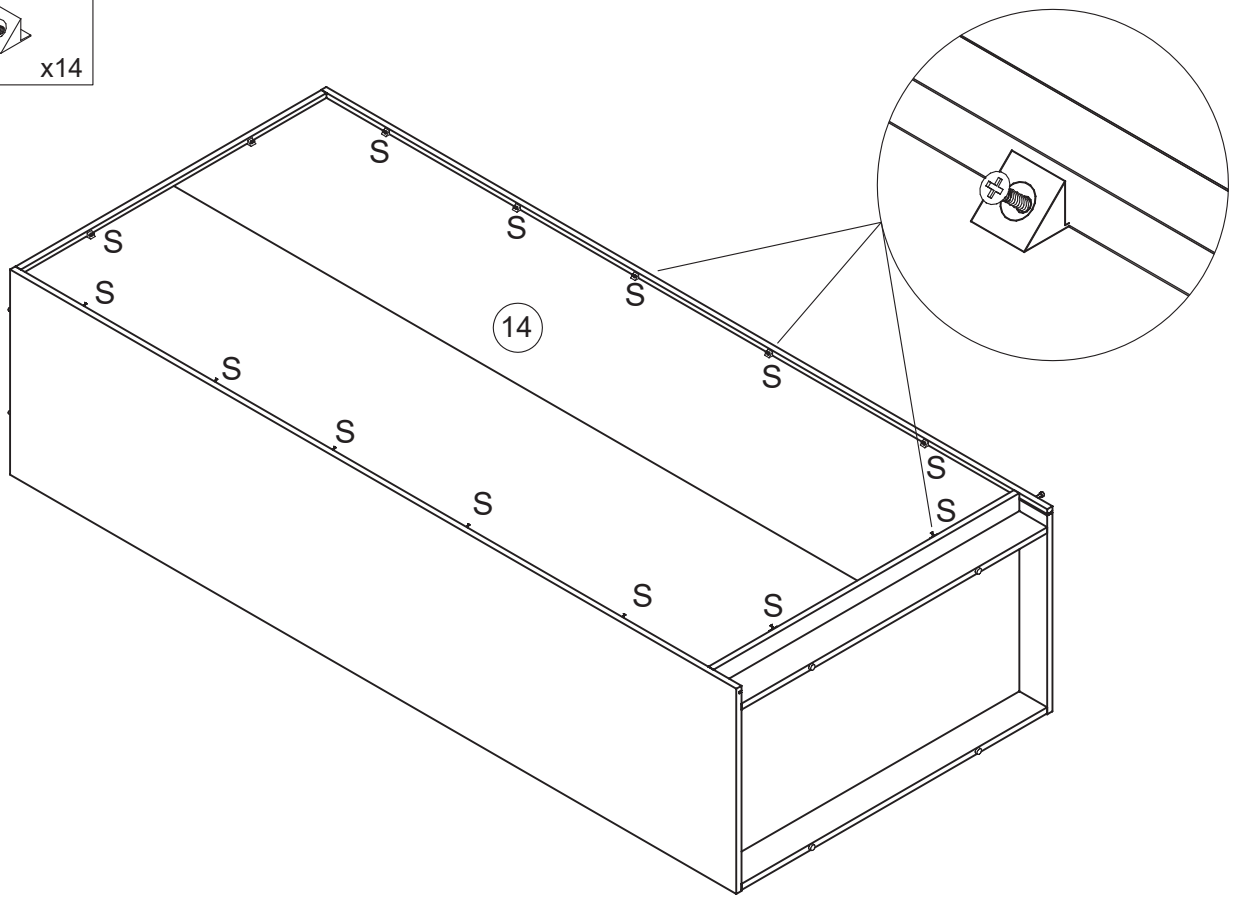
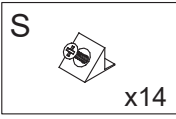
17



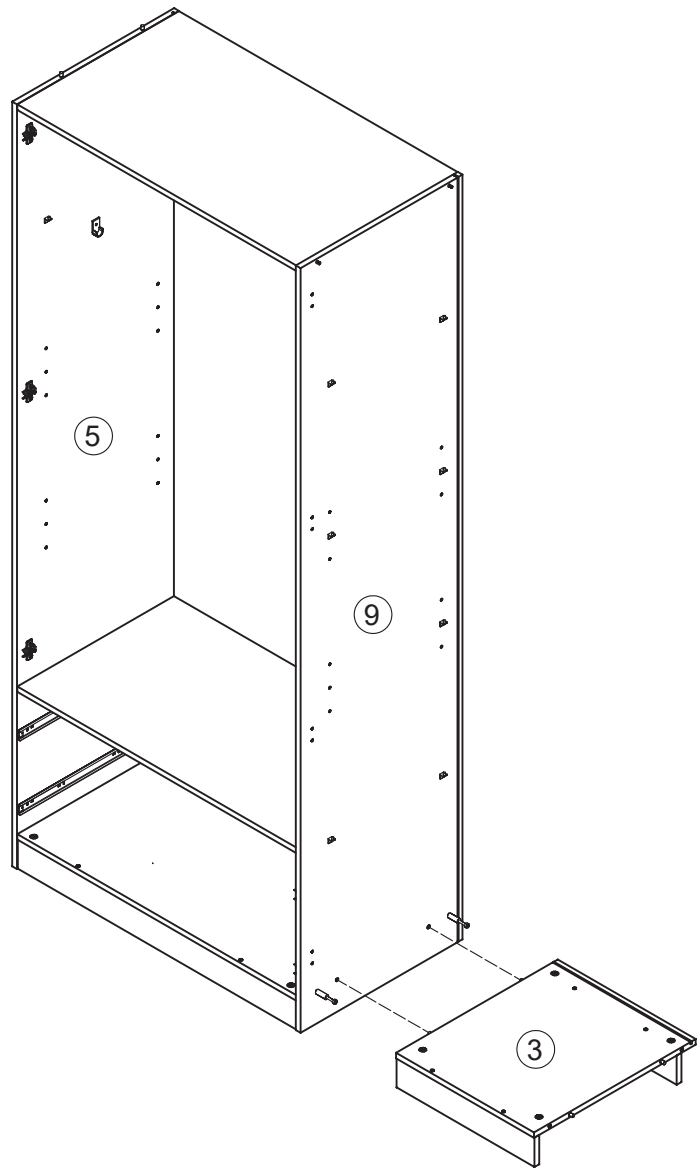
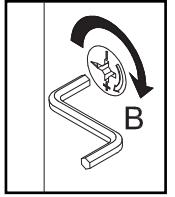
18



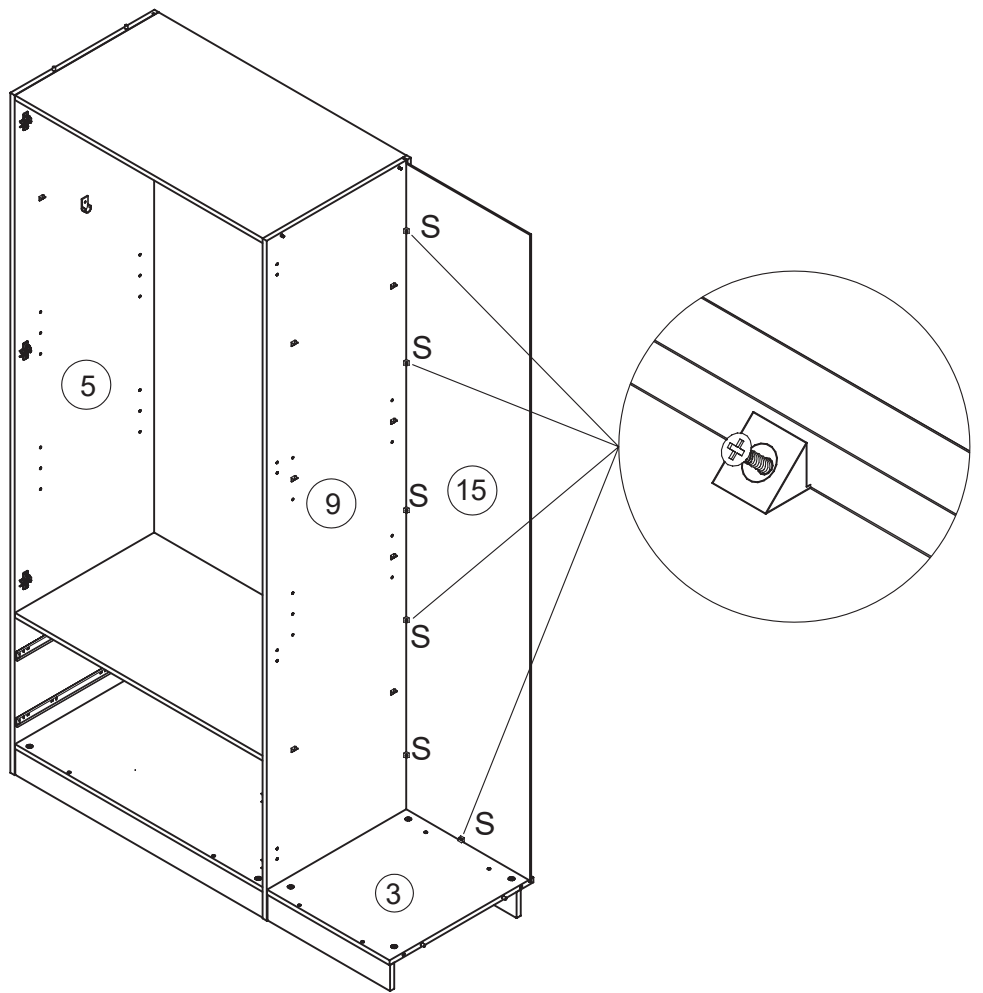
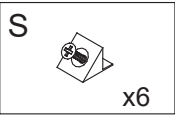
19



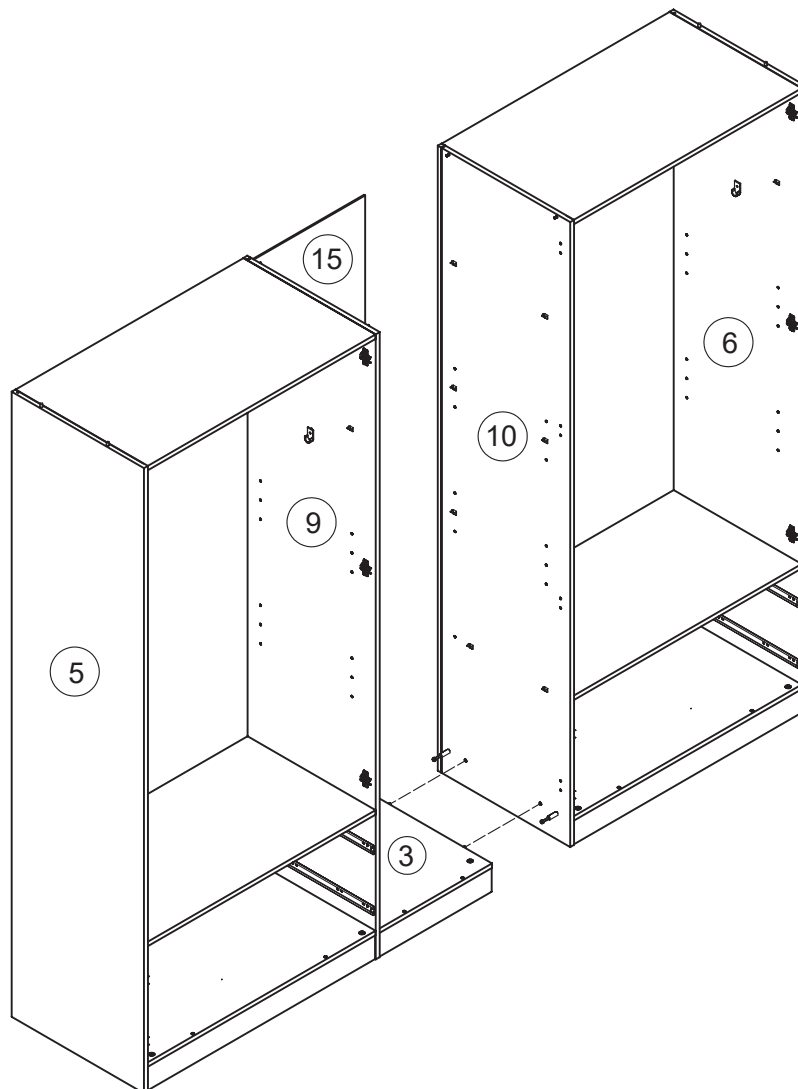
20



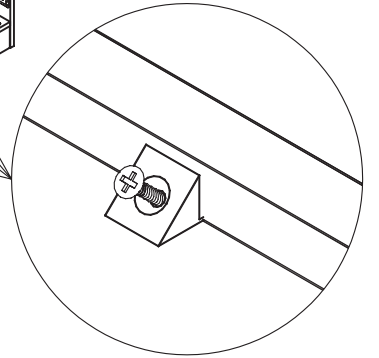
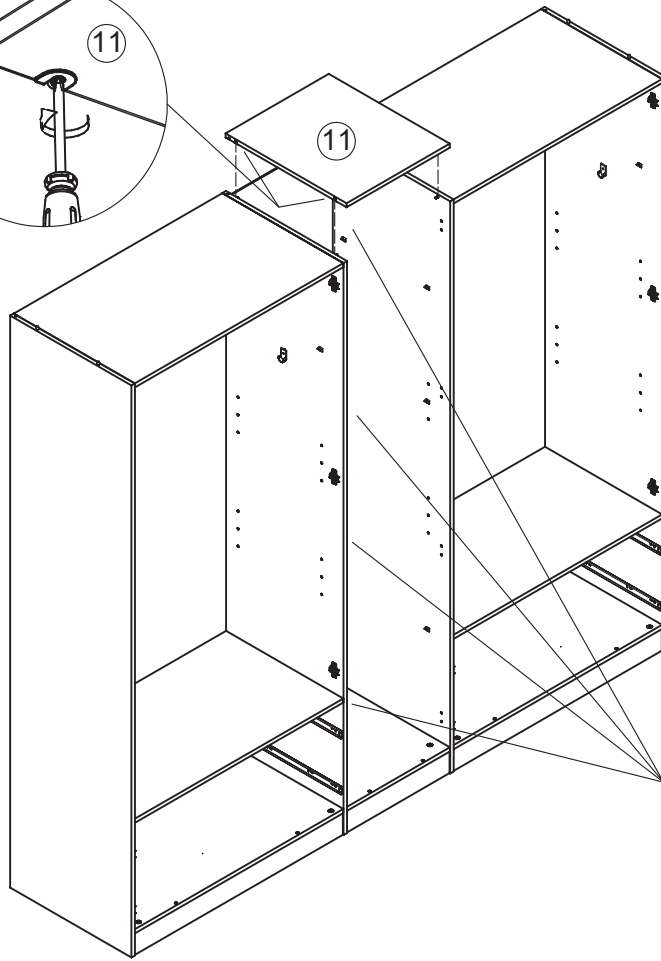
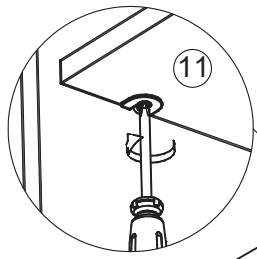
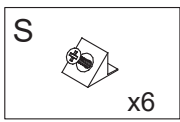
21



22



23



24

