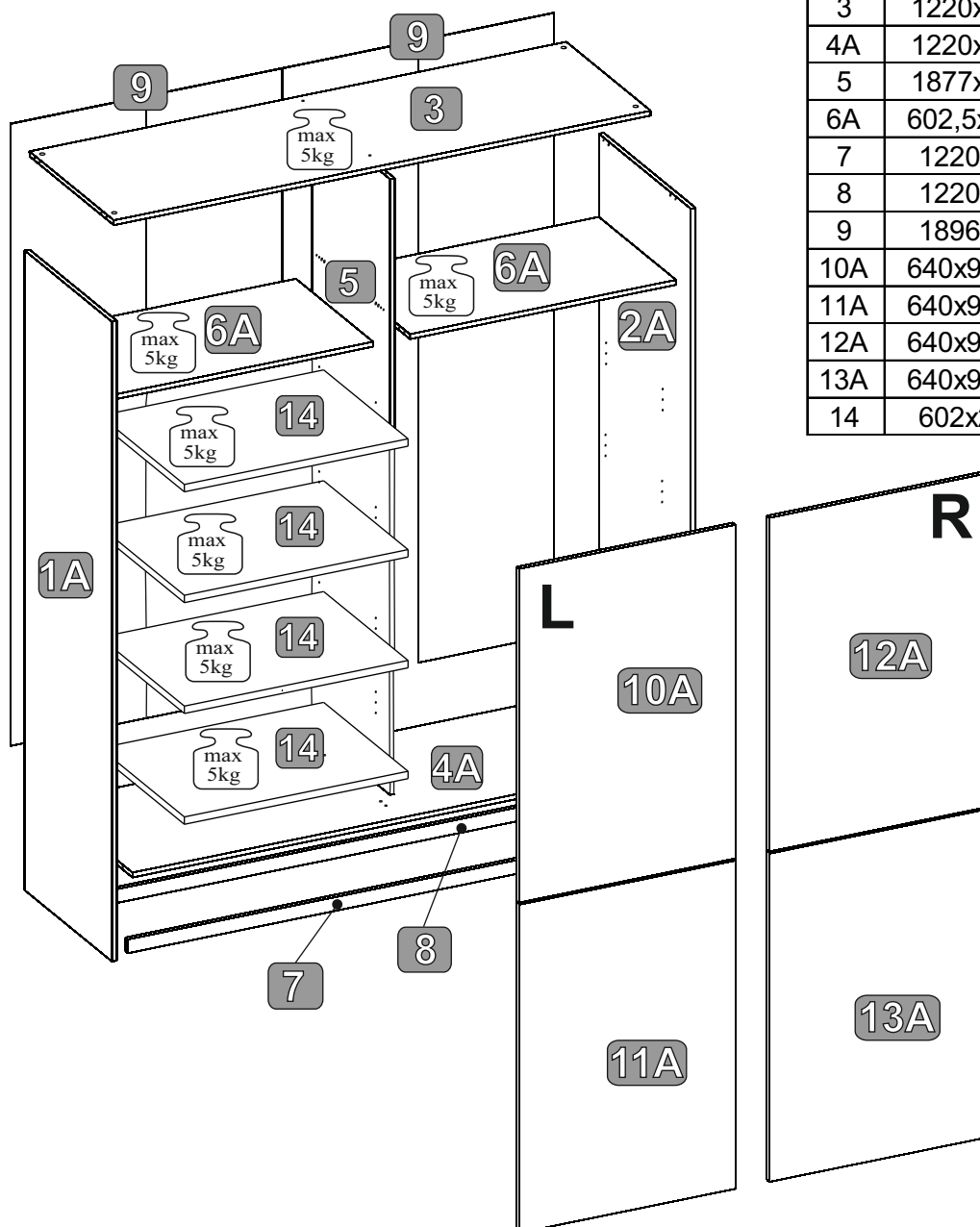


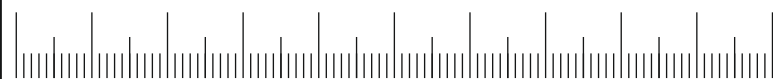
8mm

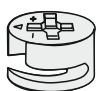
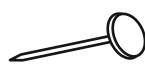
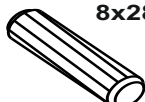




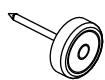


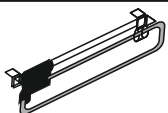




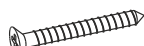
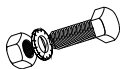
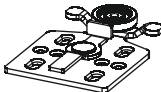
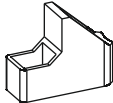
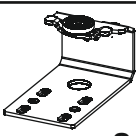
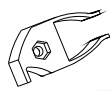
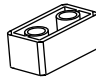


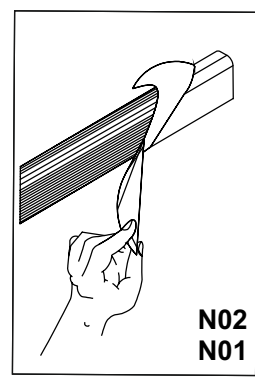
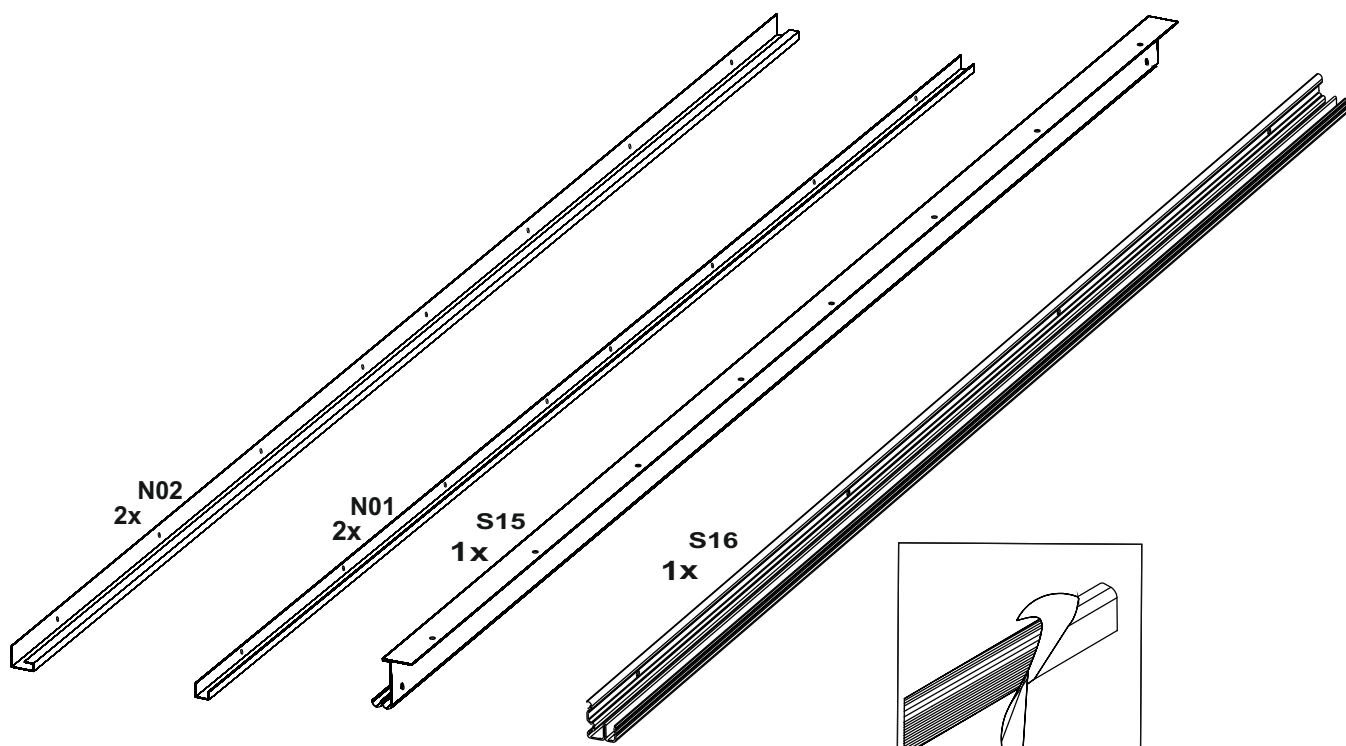
NR	DIM	QTE	COLLI
1A	1950x324x15	1	1/2
2A	1950x353x15	1	1/2
3	1220x305x15	1	1/2
4A	1220x321x15	1	1/2
5	1877x265x15	1	1/2
6A	602,5x260x15	2	1/2
7	1220x42x15	1	1/2
8	1220x42x15	1	1/2
9	1896x619x2	2	1/2
10A	640x962,5x15	1	2/2
11A	640x962,5x15	1	2/2
12A	640x962,5x15	1	2/2
13A	640x962,5x15	1	2/2
14	602x260x15	4	1/2



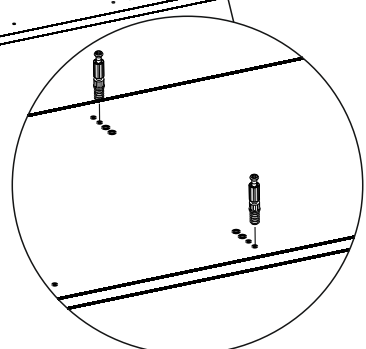
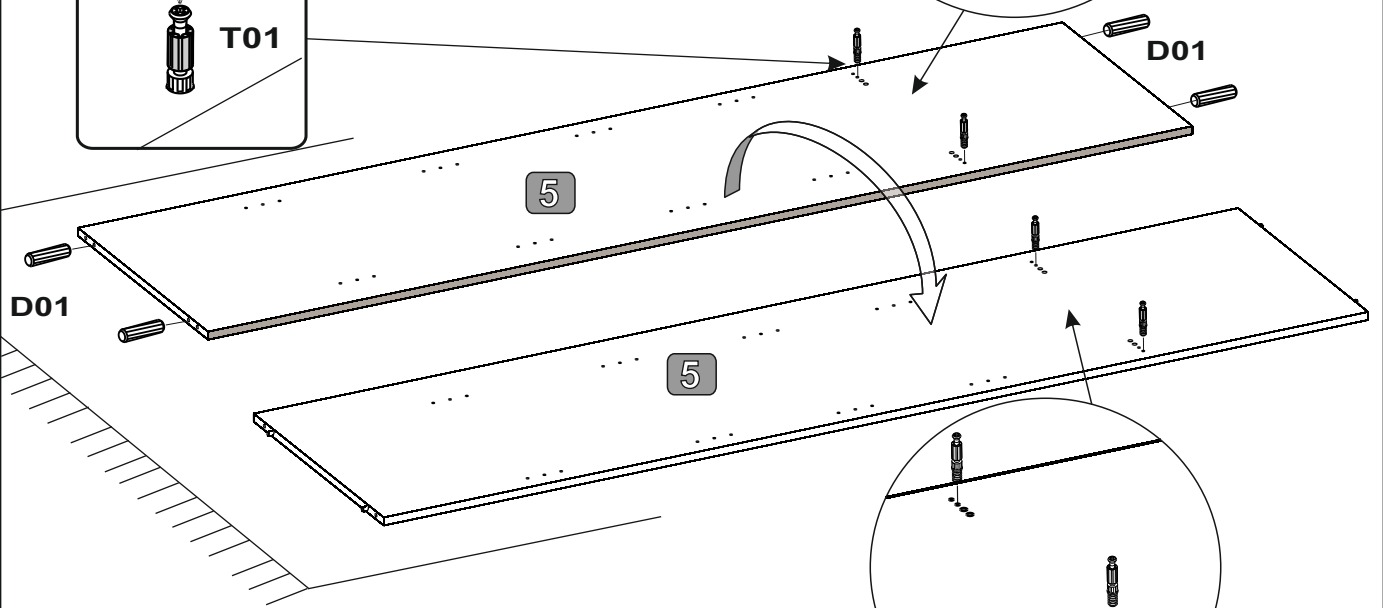
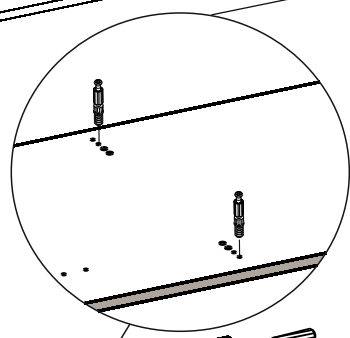
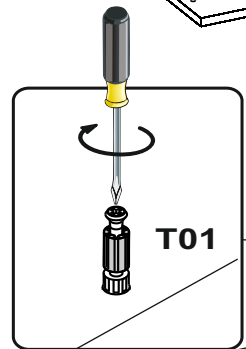
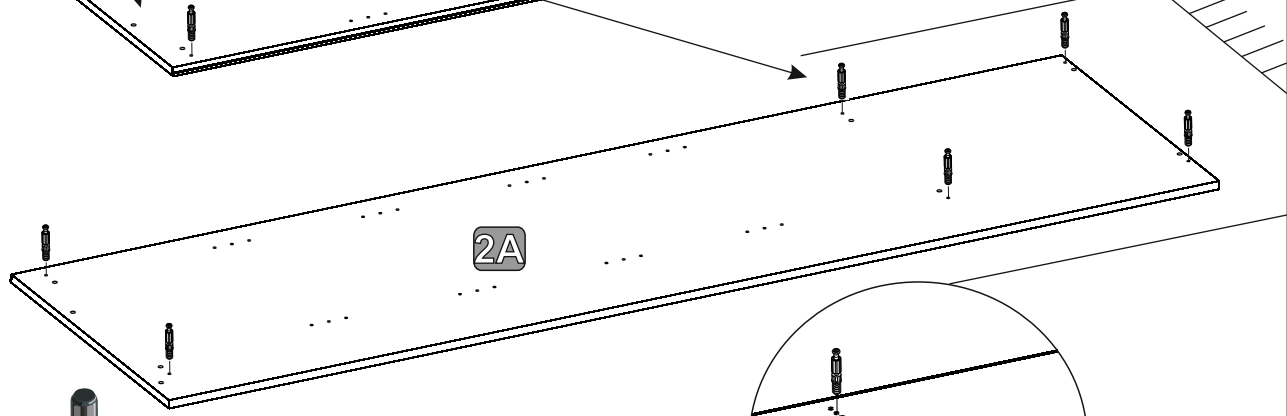
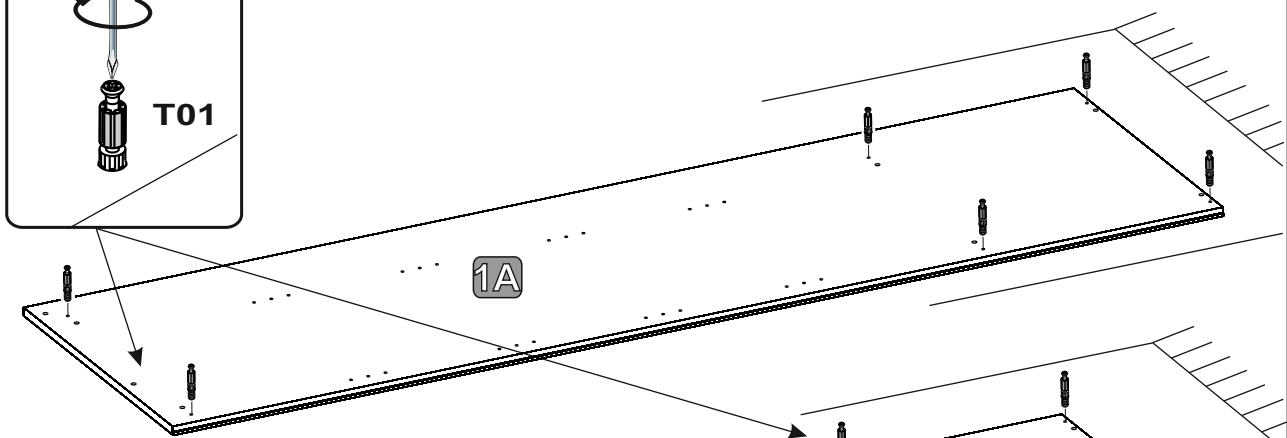
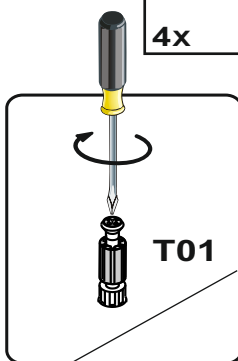
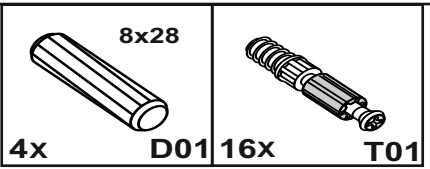
0 10 20 30 40 50 60 70 80 90 100



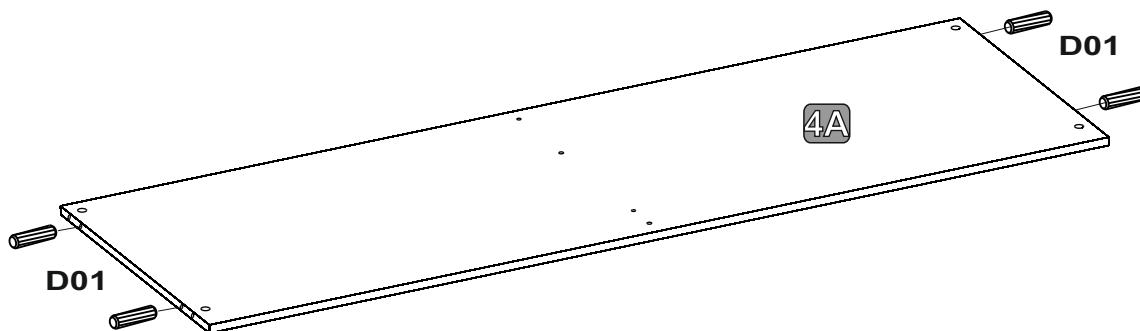
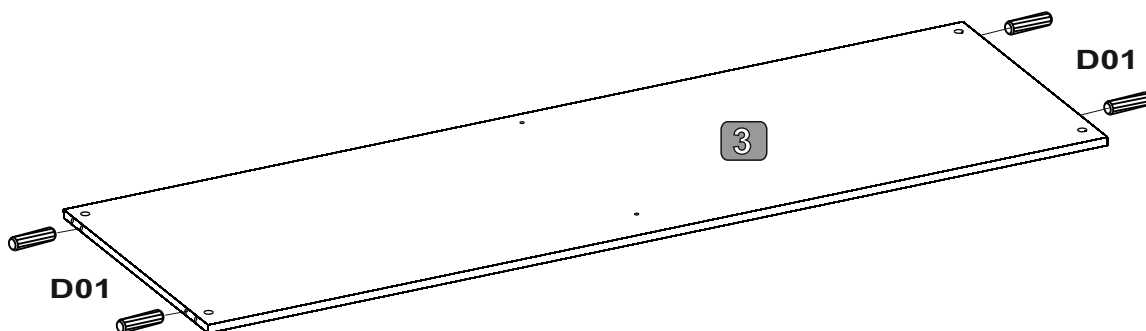
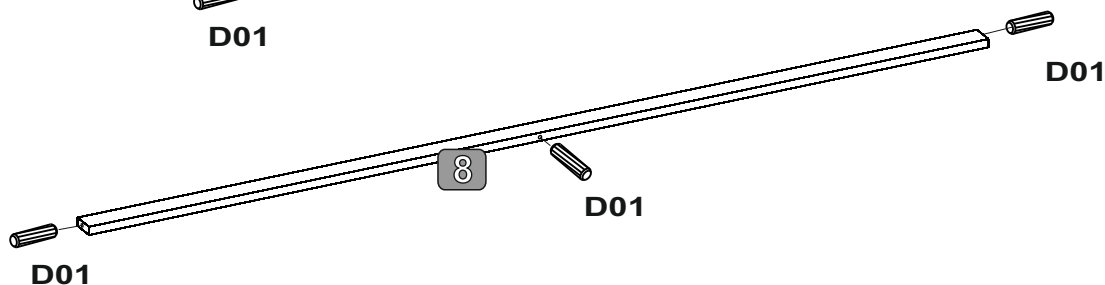
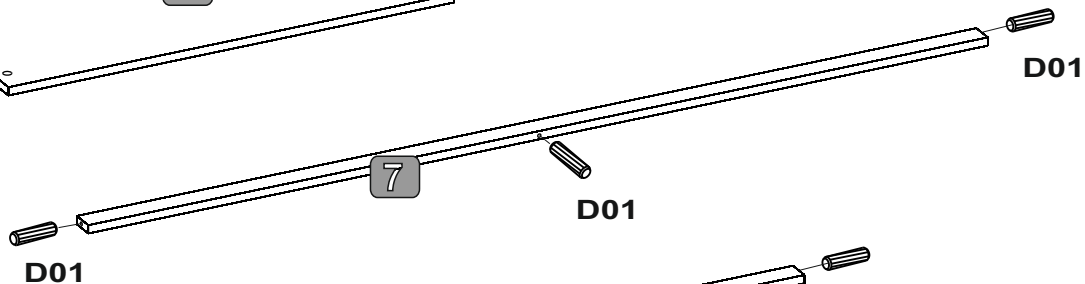
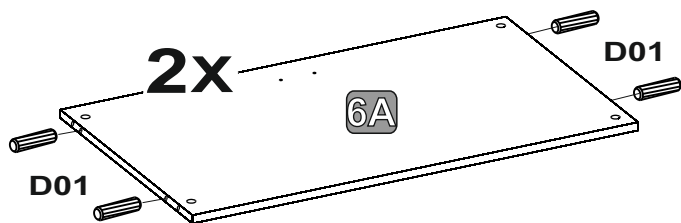
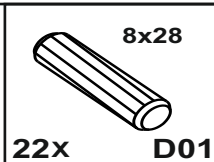
 16x T02	 16x T01	 60x G01	 8x28 26x D01	 1x K01	 7x50 4x W06
 4x W08	 3x13 5x W02	 16x E01	 6x S01	 4x13 2x W07	 8x BZN
 1x Q01	 3,5x13 9x W05	 3,5x13 81x W01	 2x P01	 2x S14	 2x S13
 3,5x25 4x W36	 2x W05S	 2x S10	 1x S11	 2x S12	 2x E04
 2x E05					



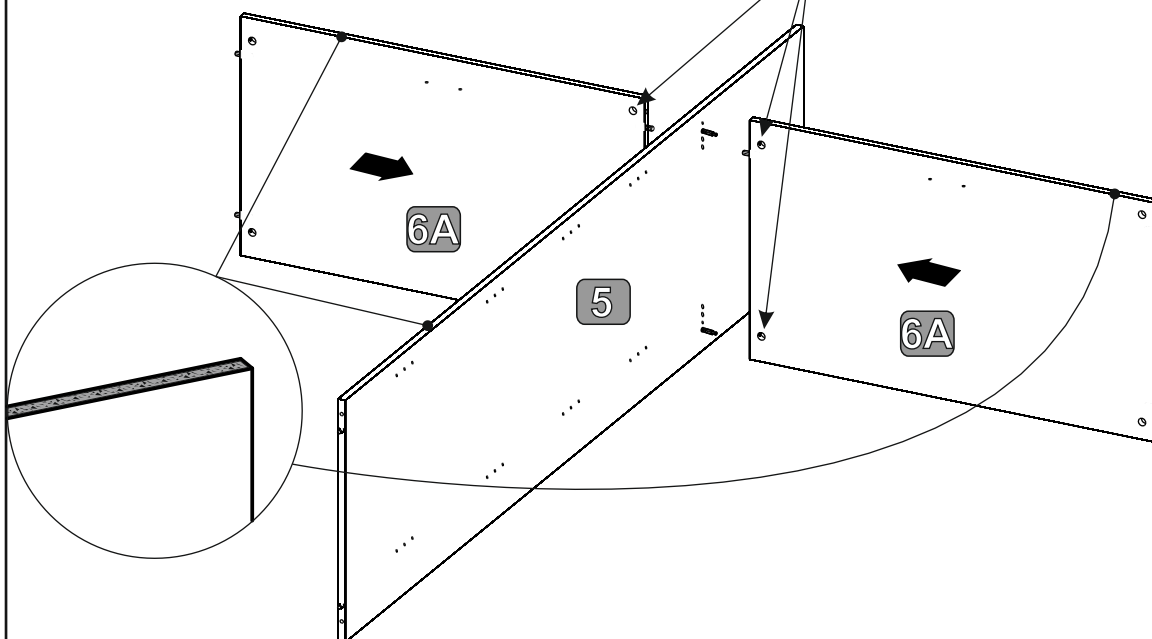
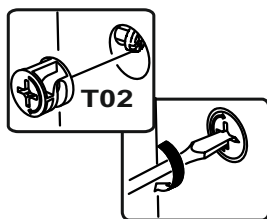
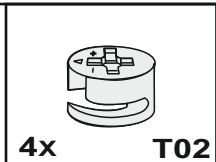
1



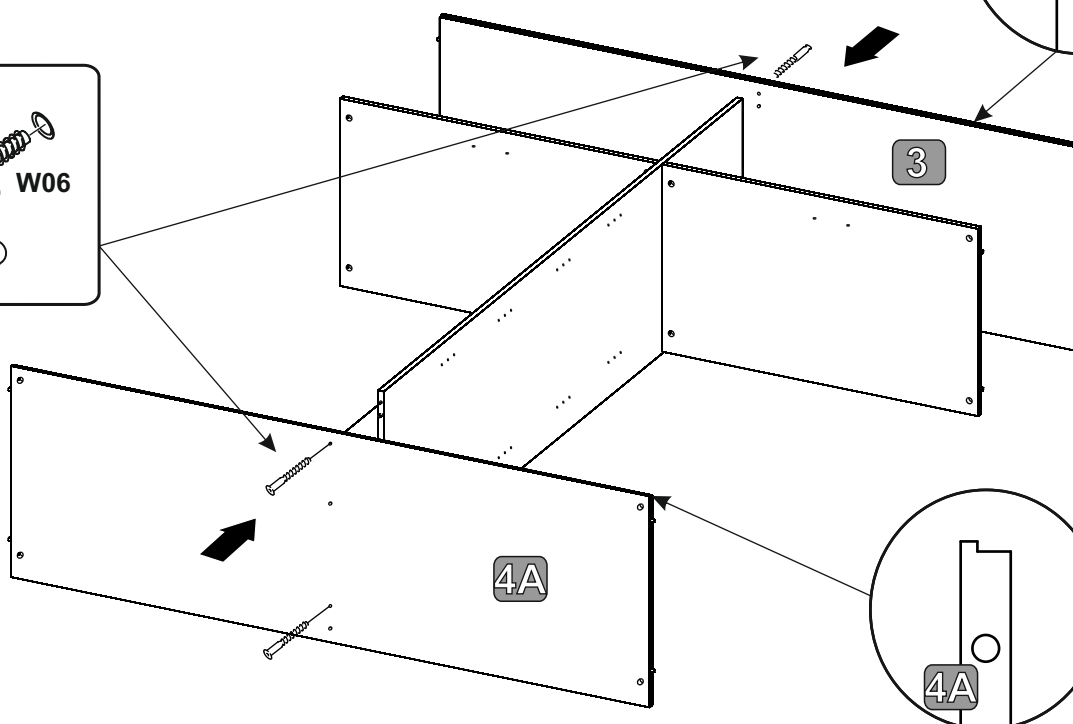
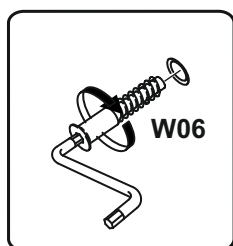
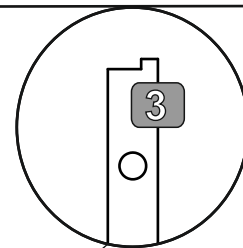
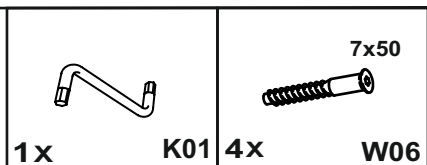
2

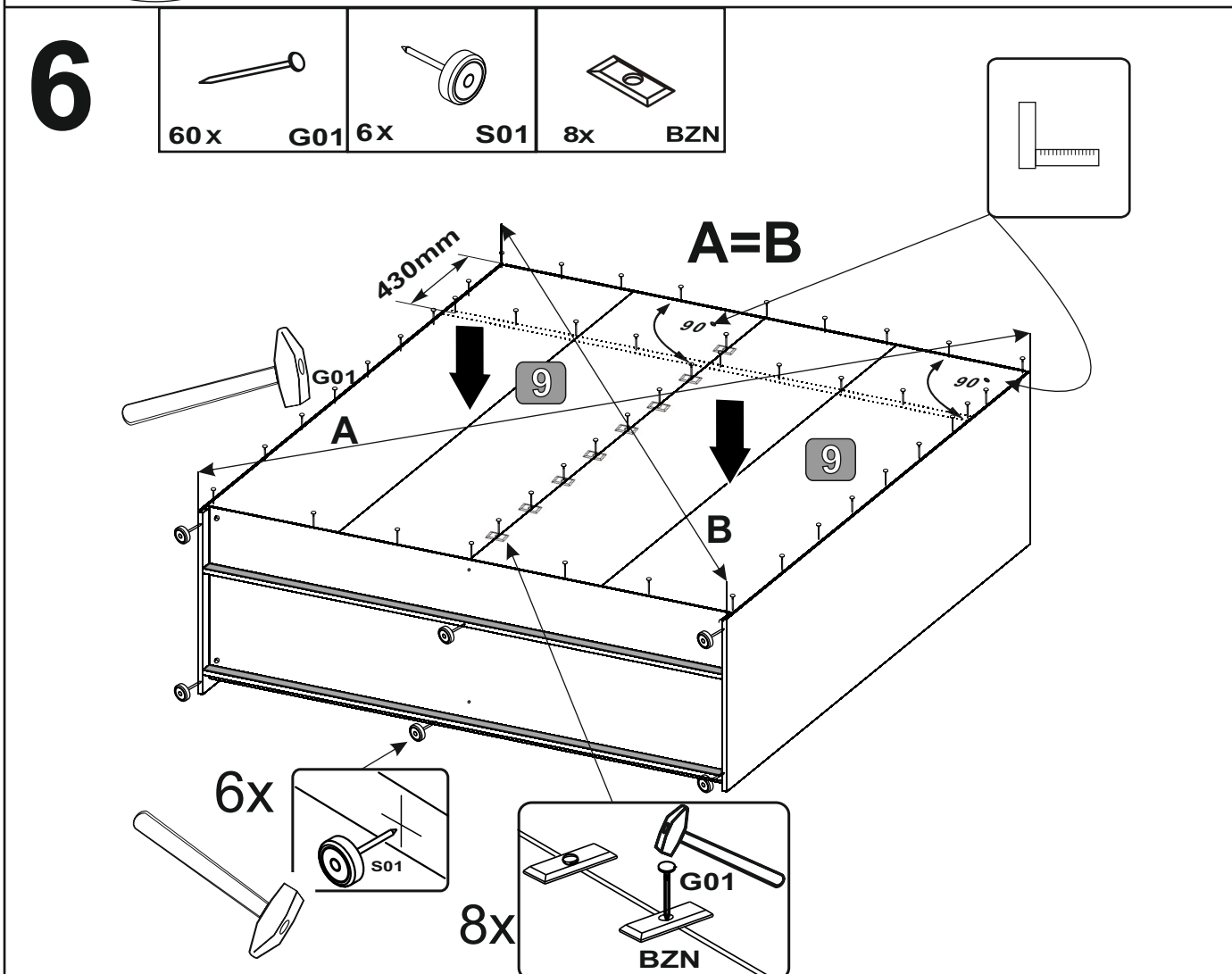
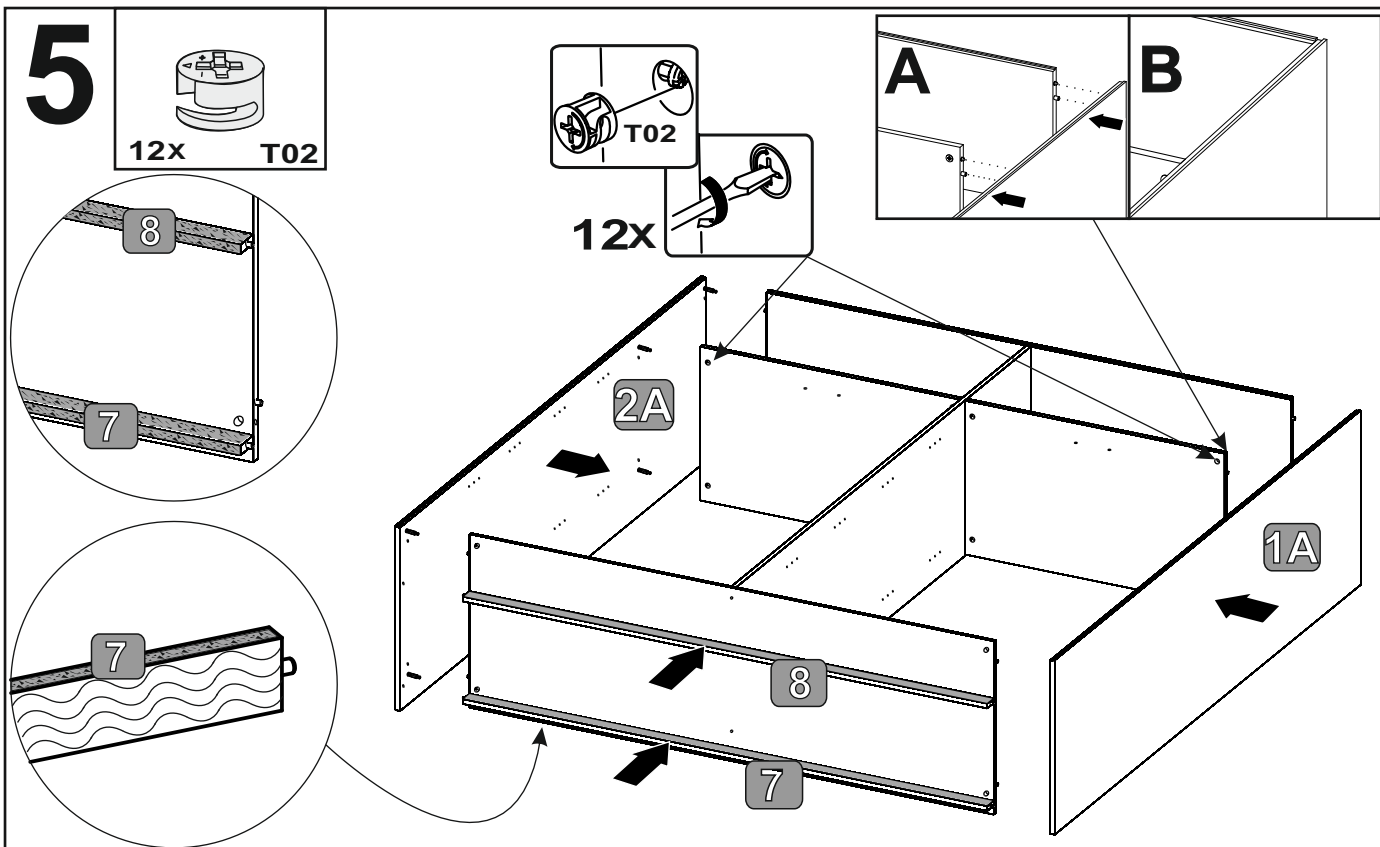


## 3

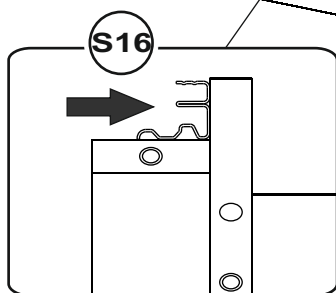
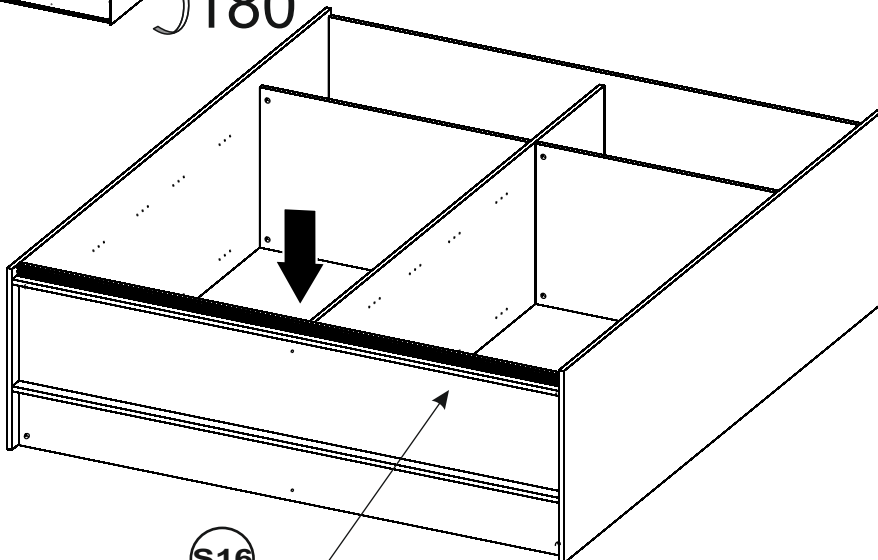
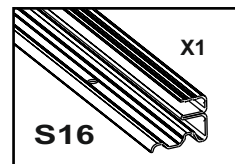
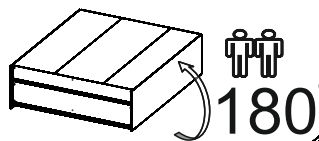


## 4

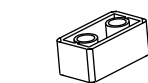




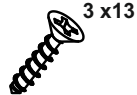
7



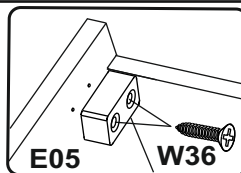
8



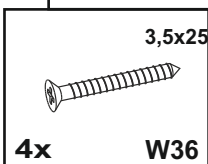
2x E05



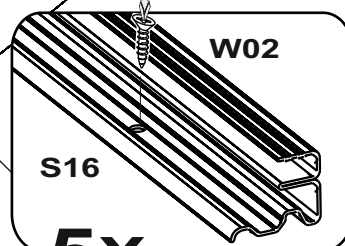
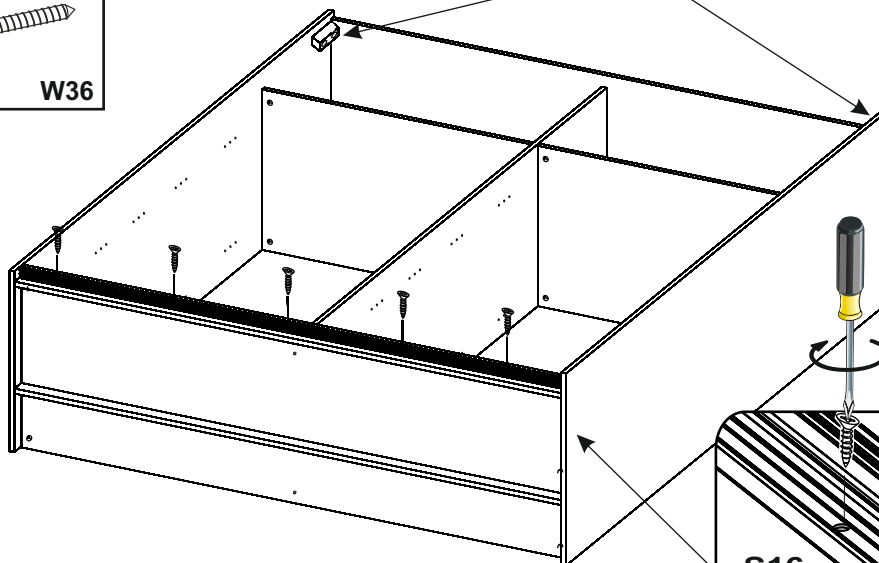
5x W02



E05 W36



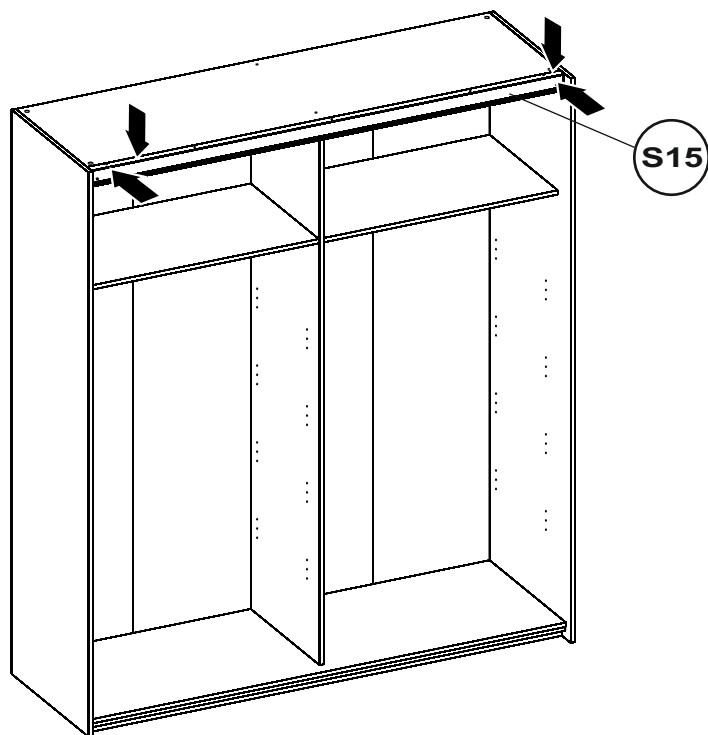
4x W36



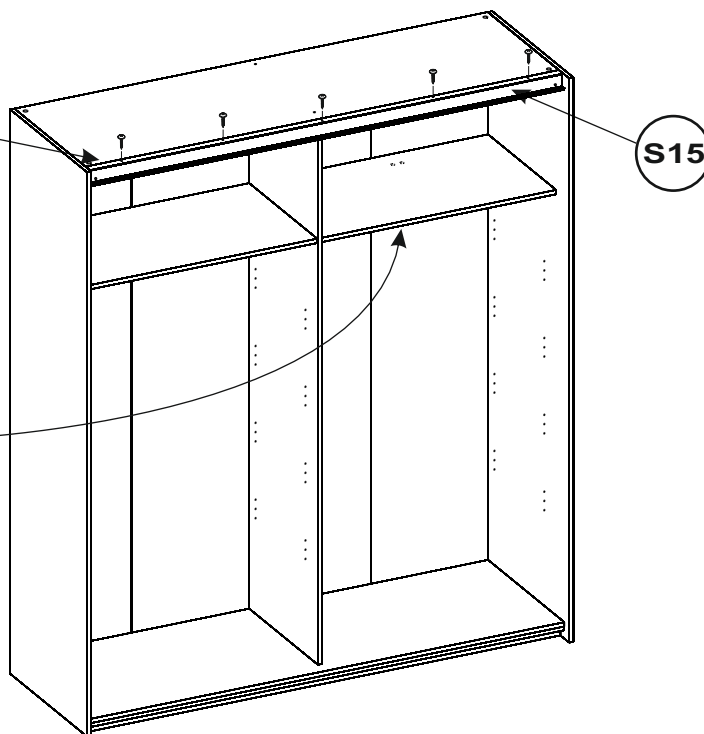
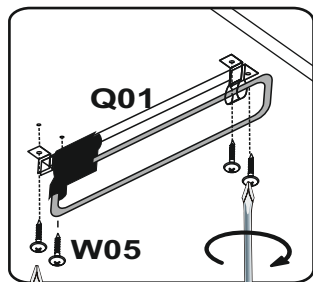
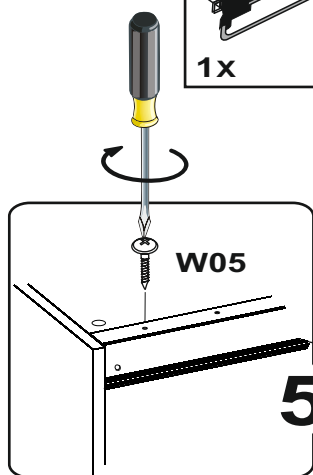
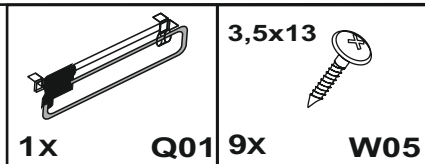
5x








9

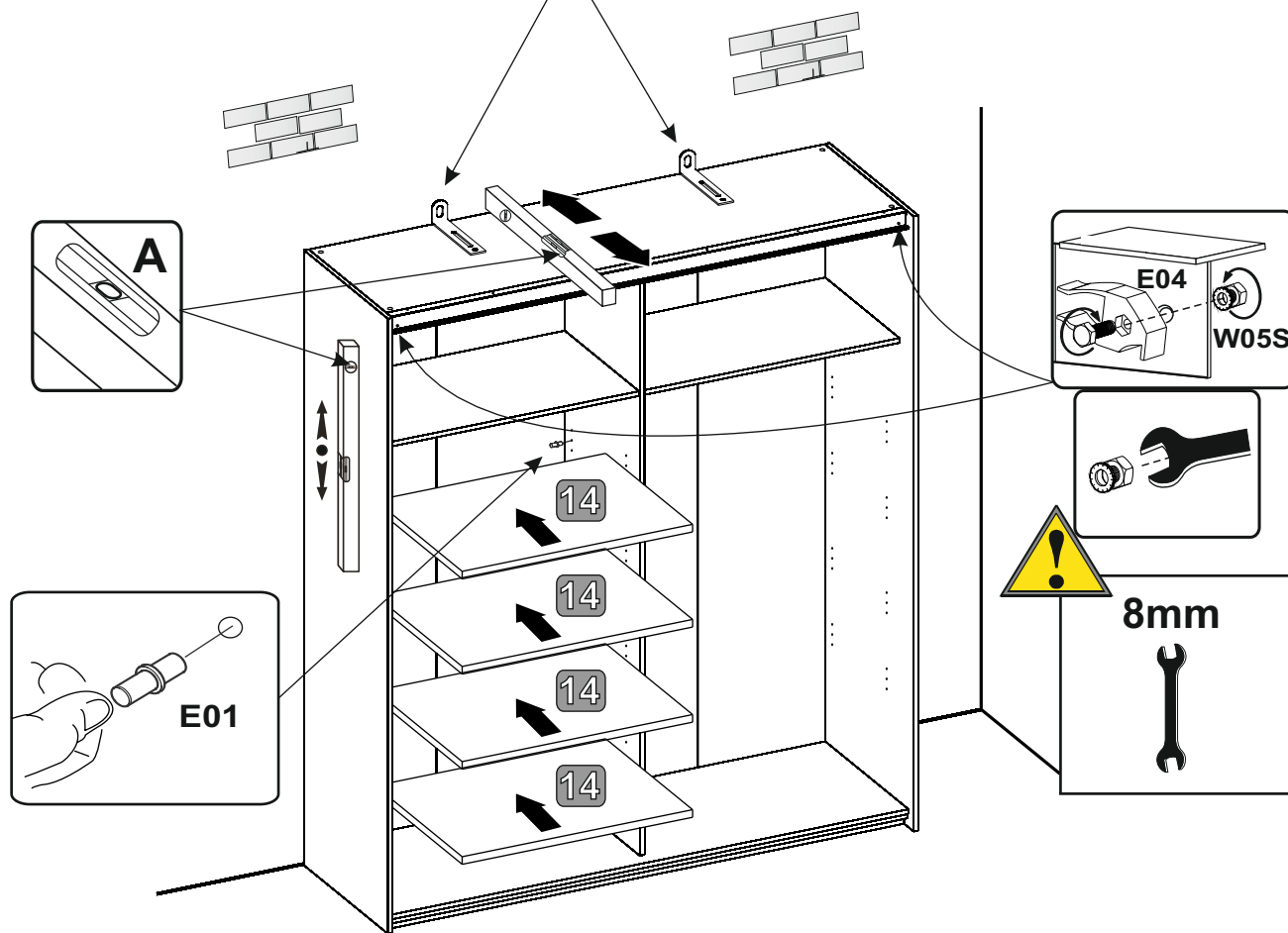
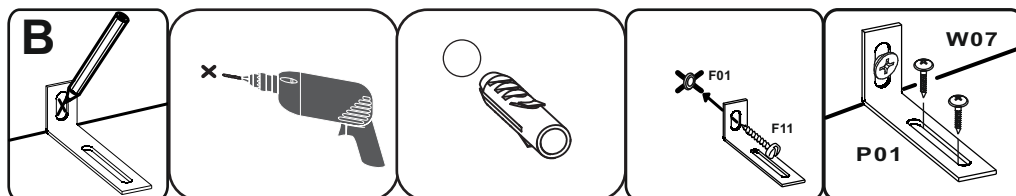


10

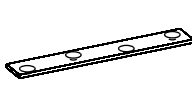
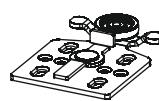
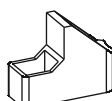




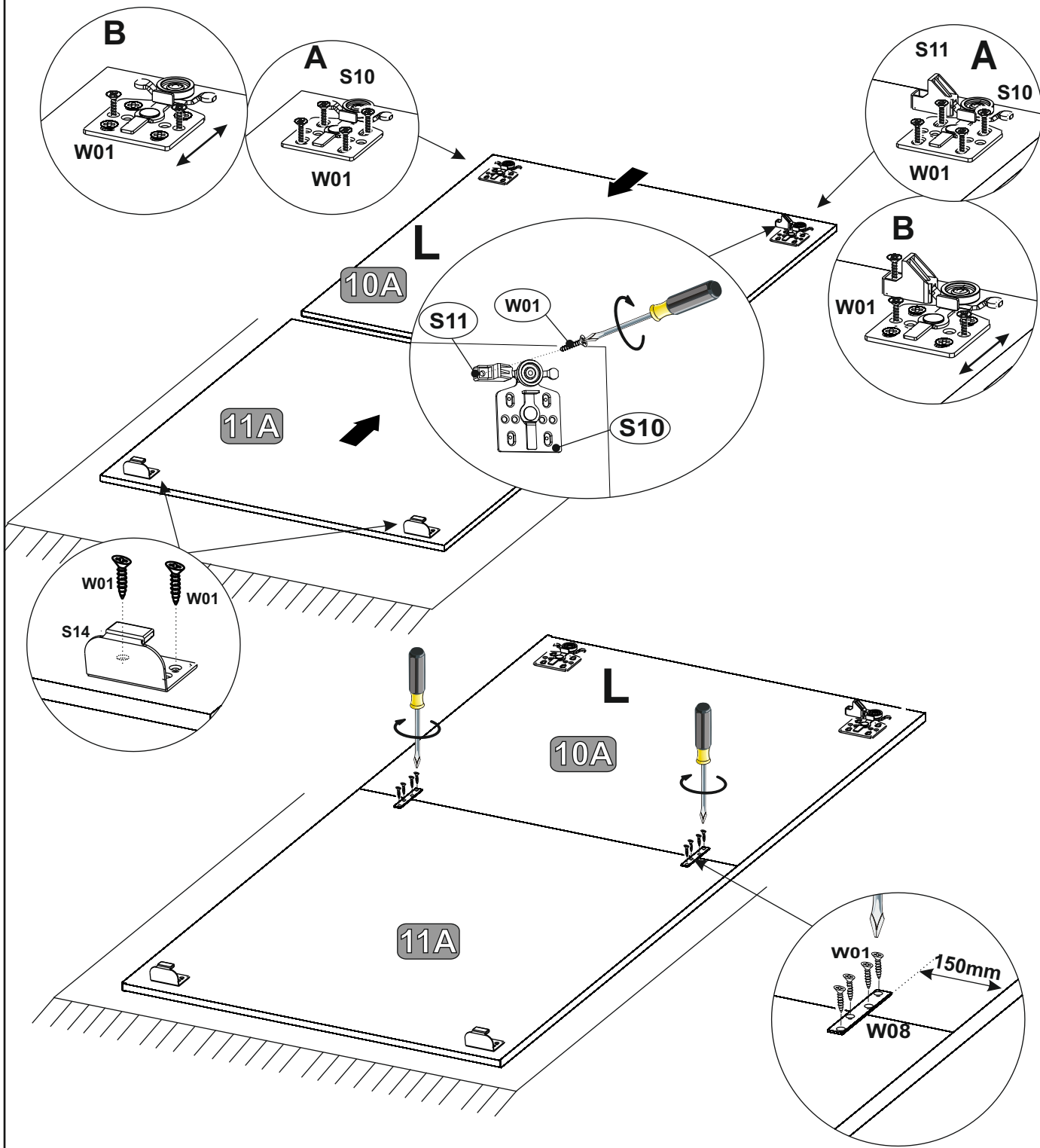
# 11

	4x13								
2 X	P01	2 X	W07	16 X	E01	2 X	E04	2 X	W05S

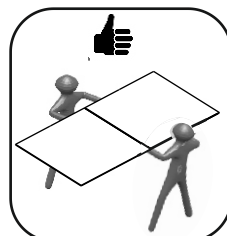
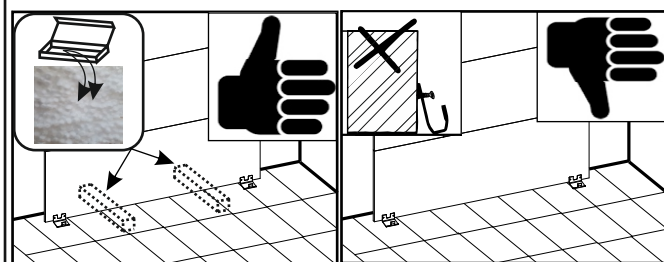
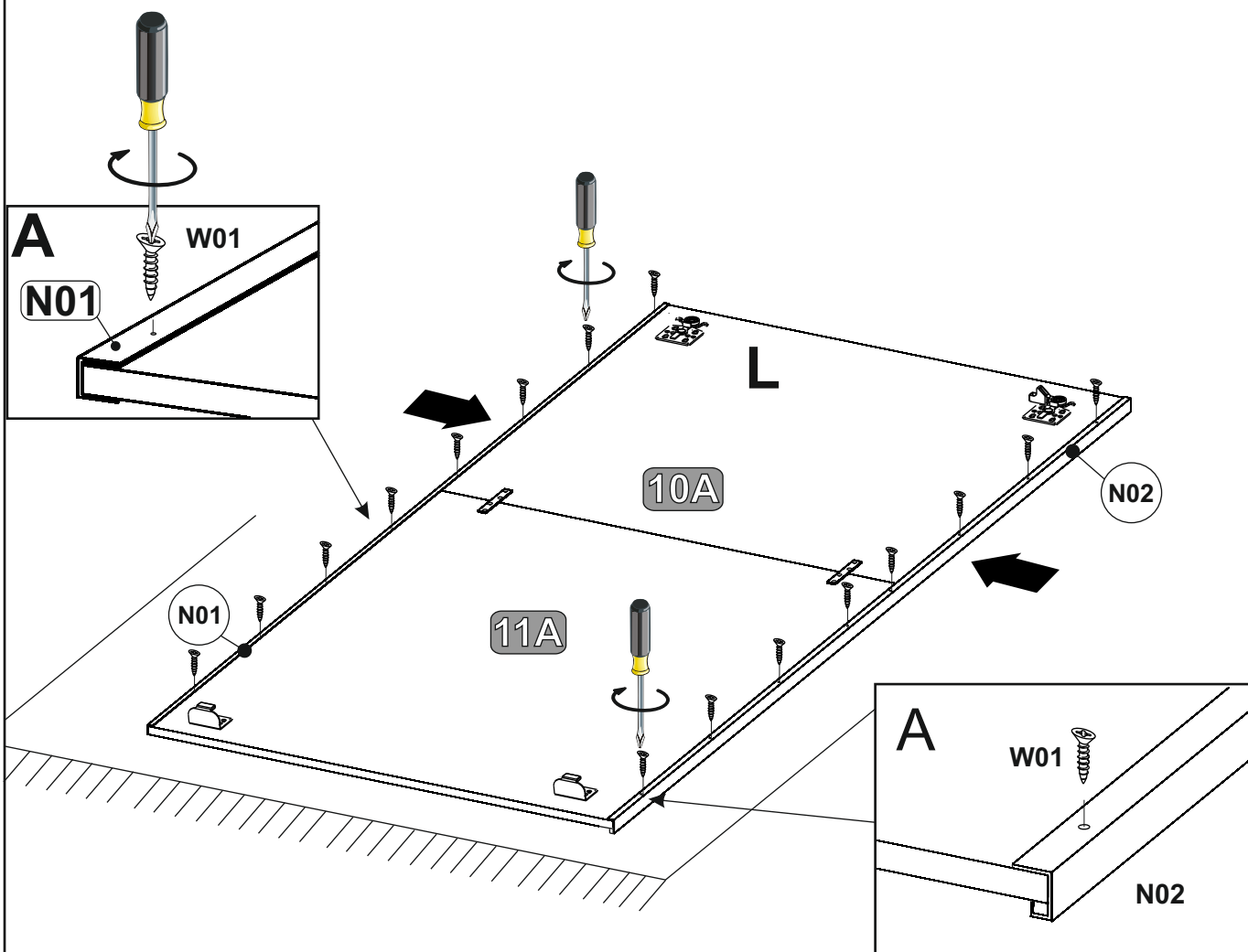
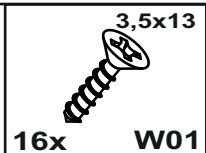


12

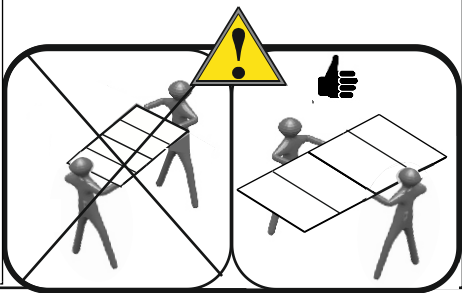
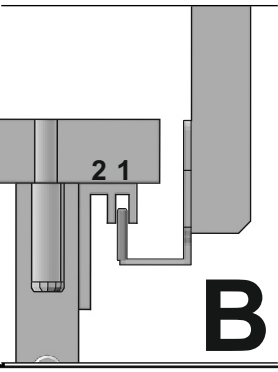
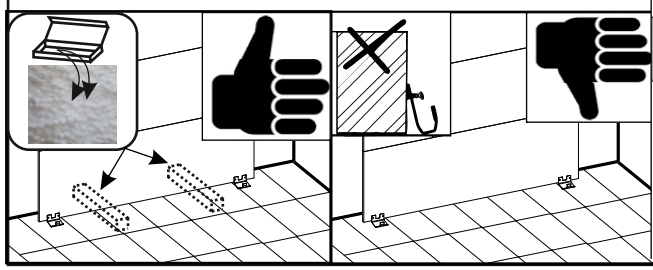
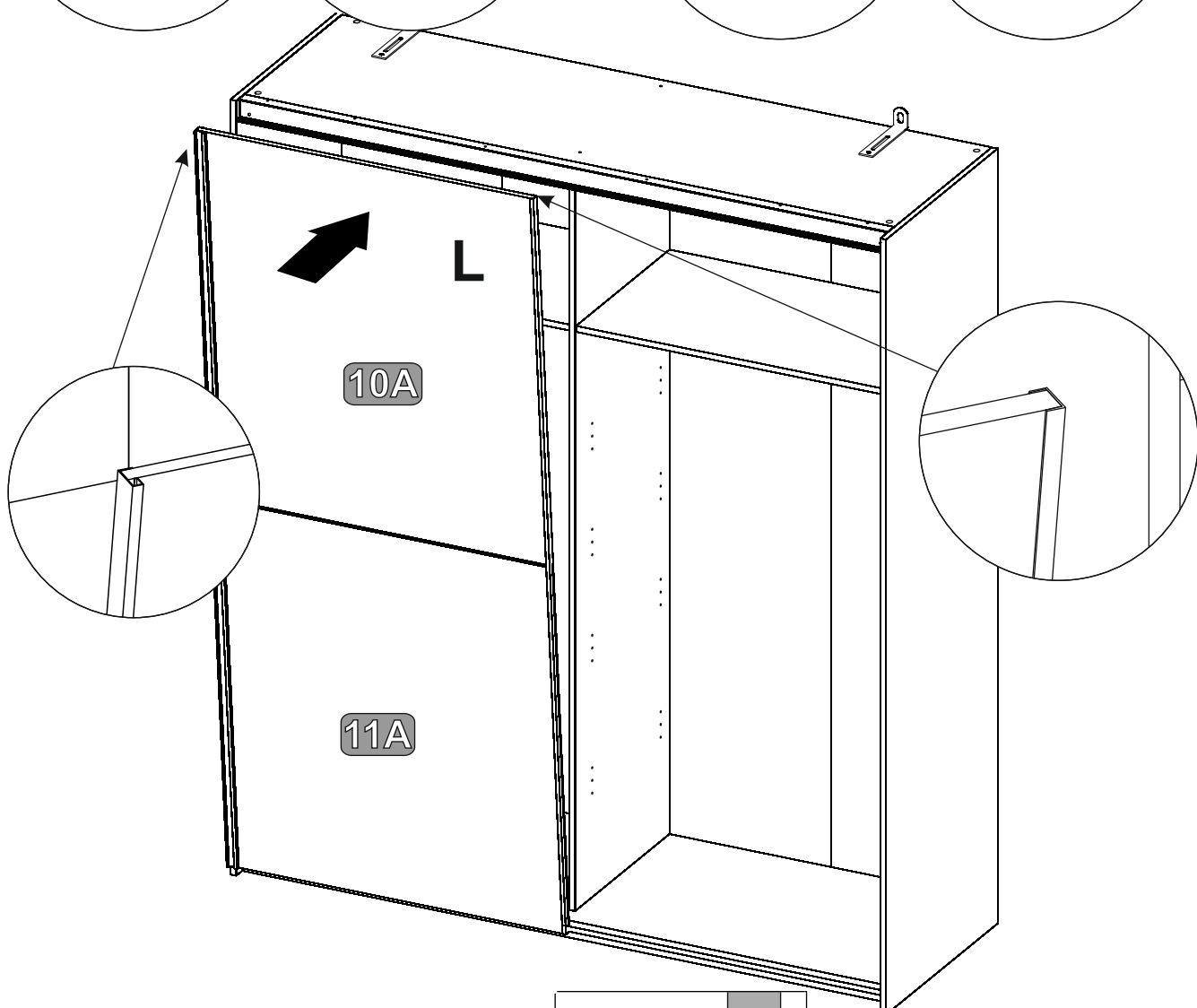
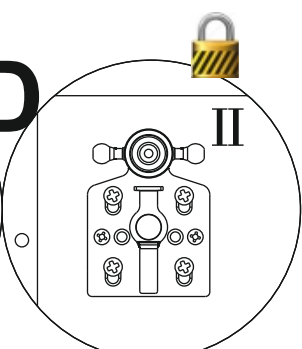
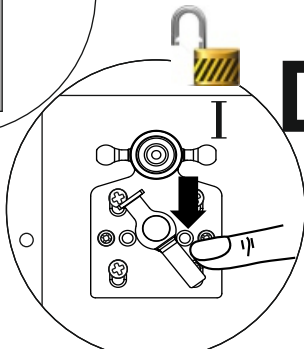
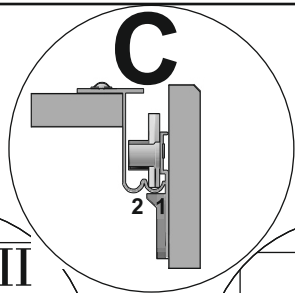
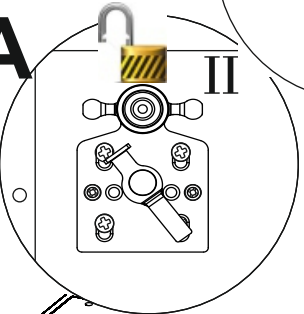
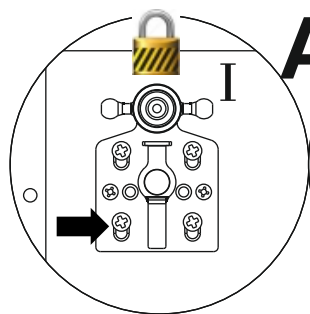
 2x W08	 2x S10	 1x S11	 2x S14	 25x W01
---	---	---	--	--



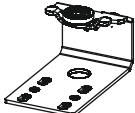



13

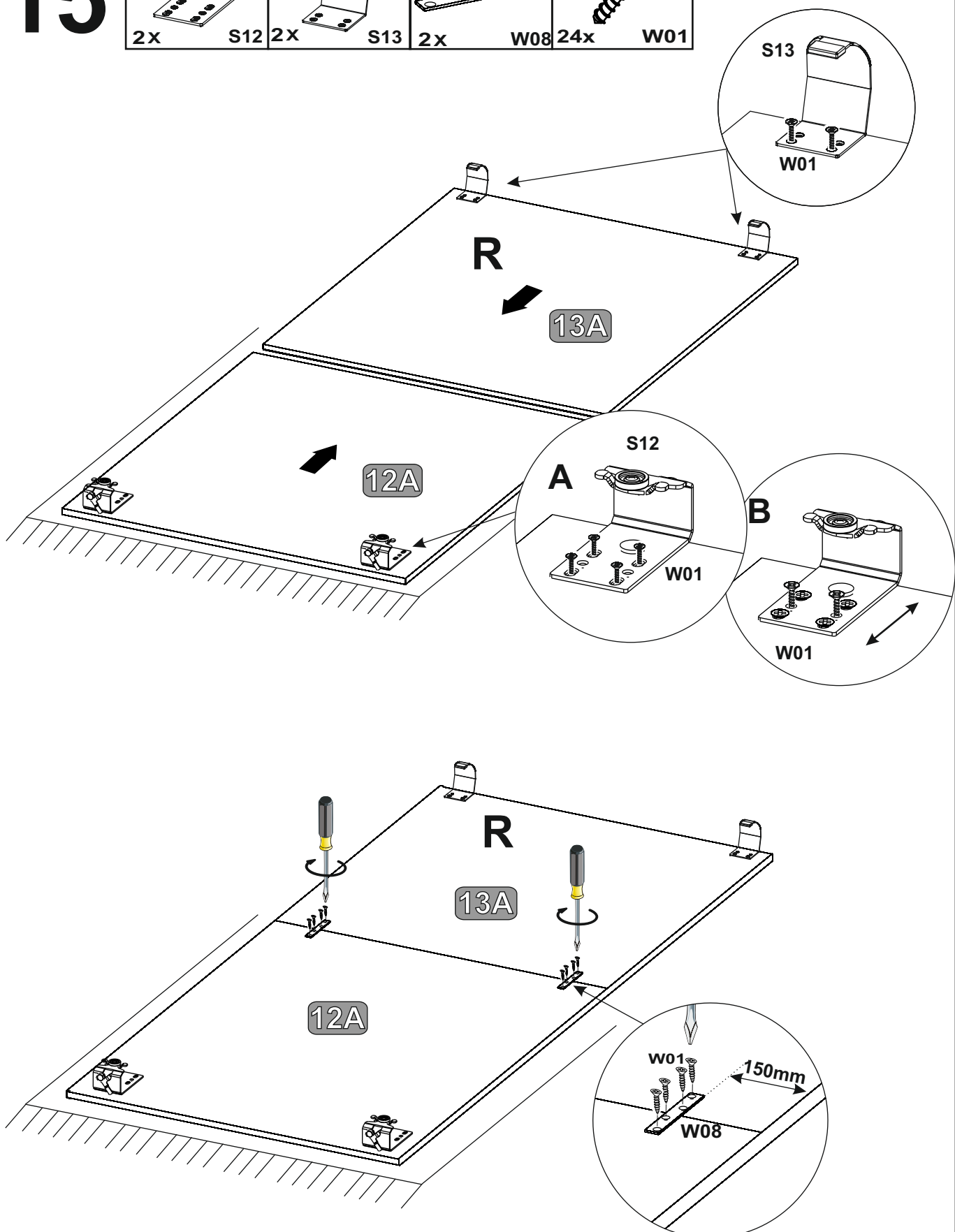


# 14

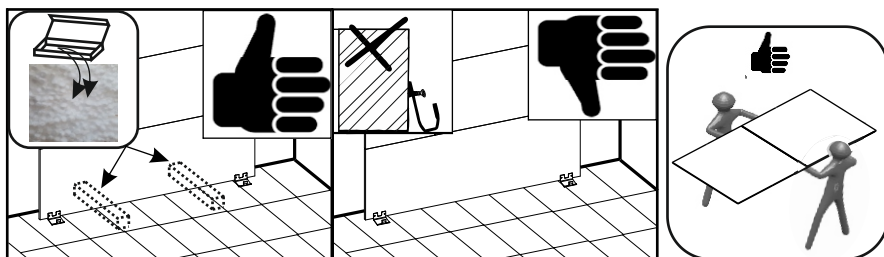
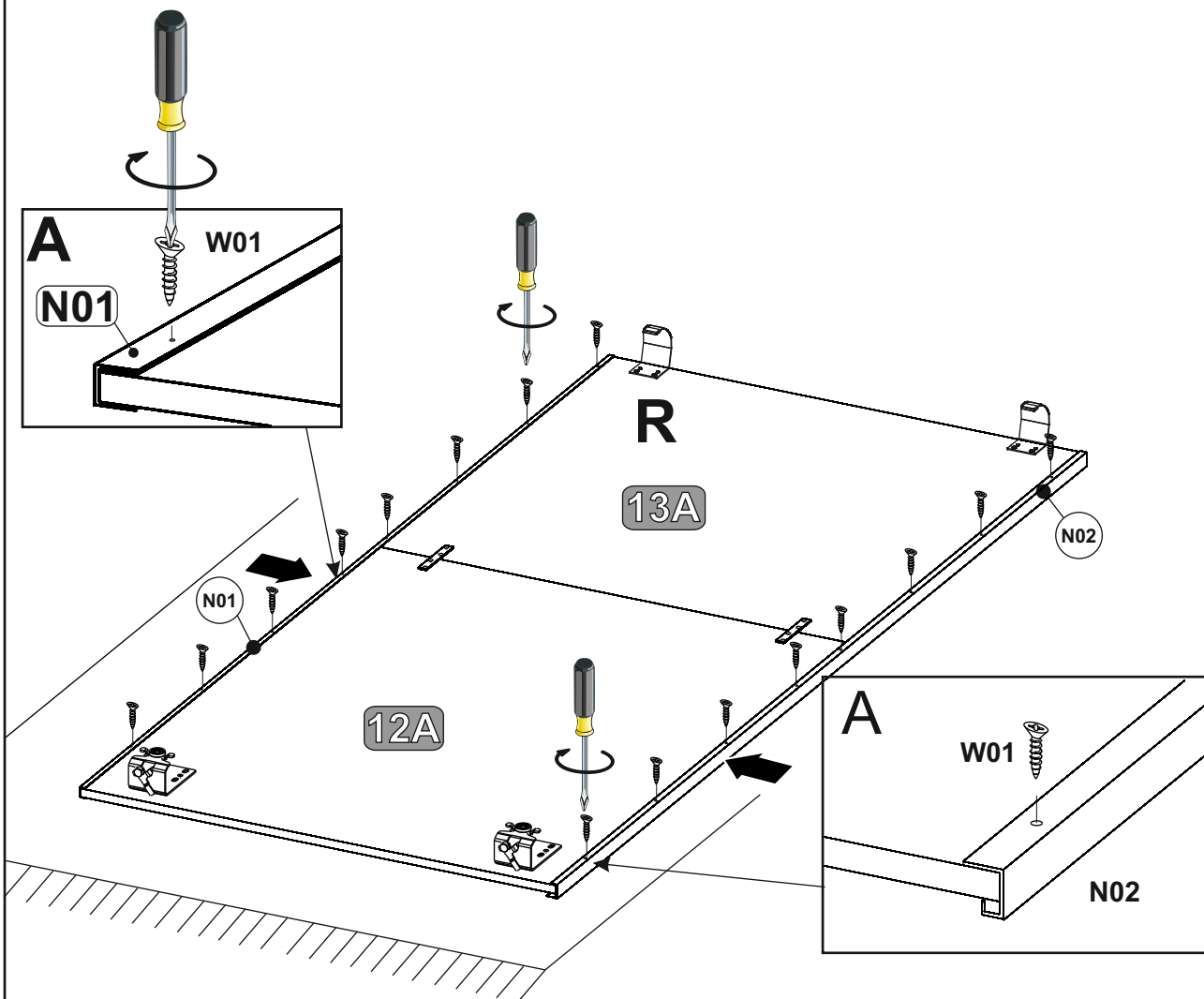
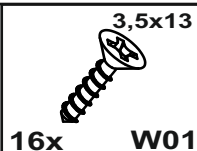


15

- |   |   |   |   |
|---|---|---|---|
| <br>2X S12 | <br>2X S13 | <br>2X W08 | <br>24x W01<br>3,5x13 |
|---|---|---|---|



16



17

