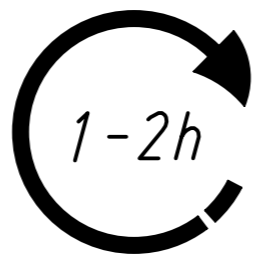
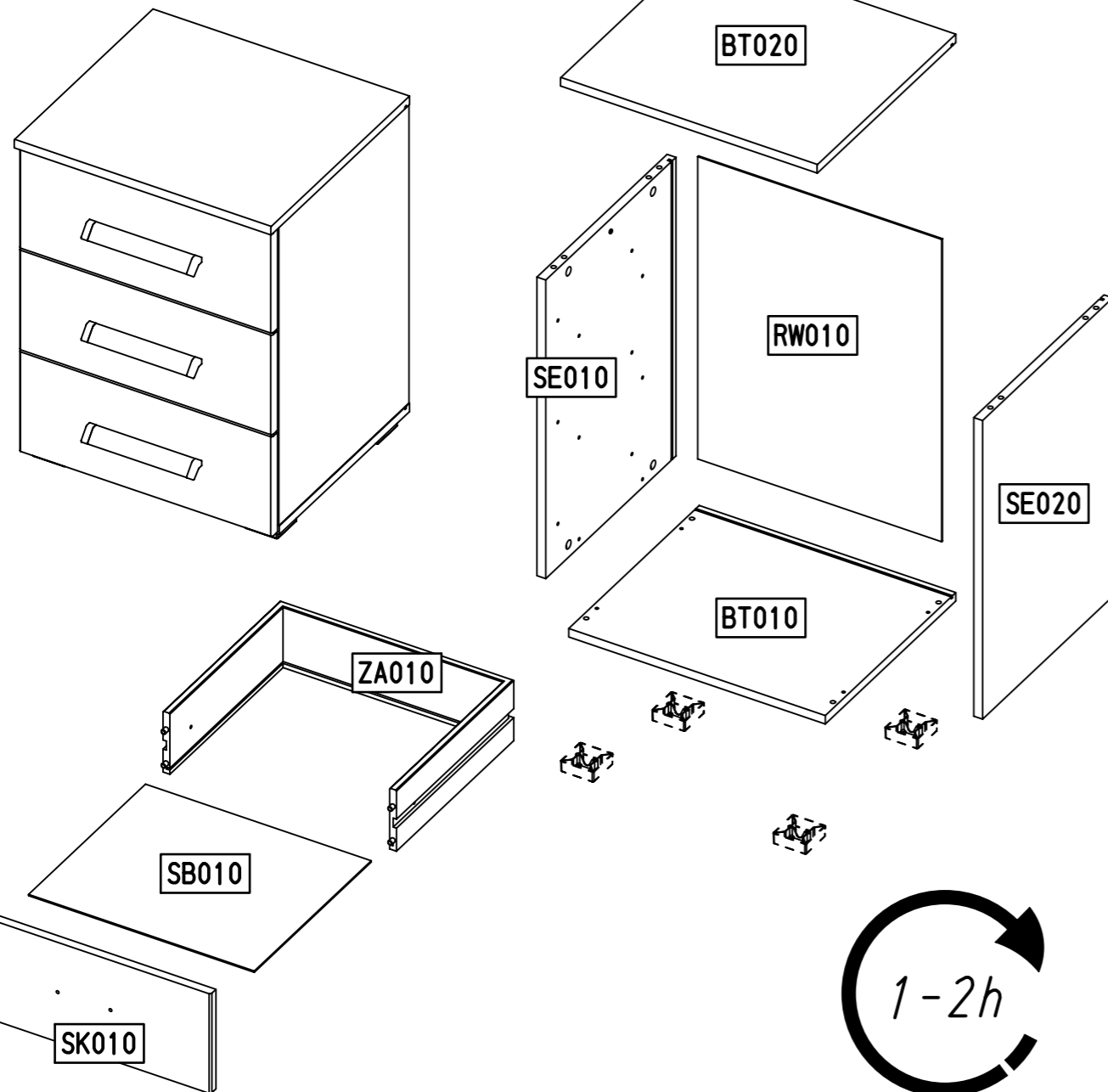
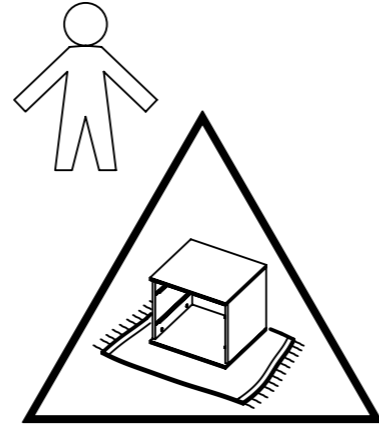
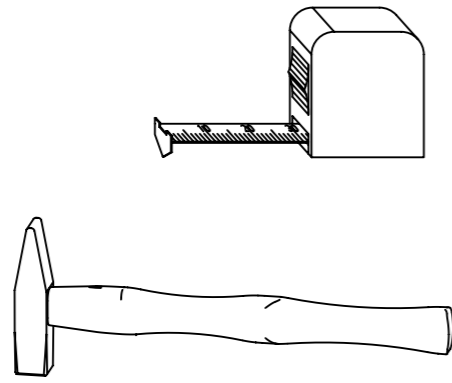
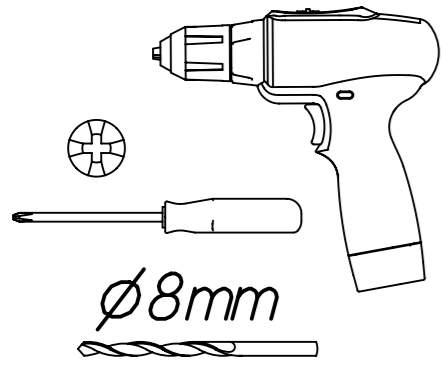


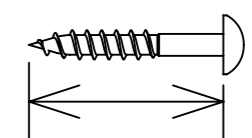
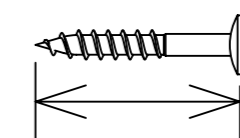
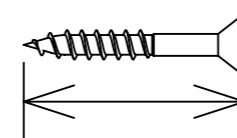
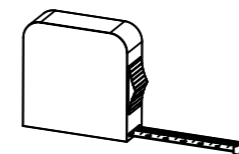
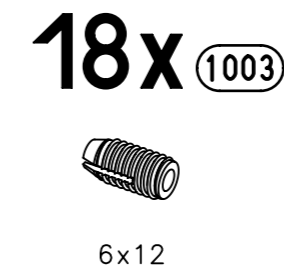
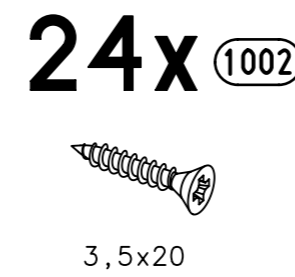
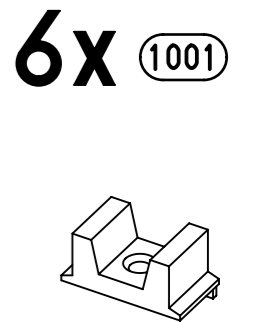
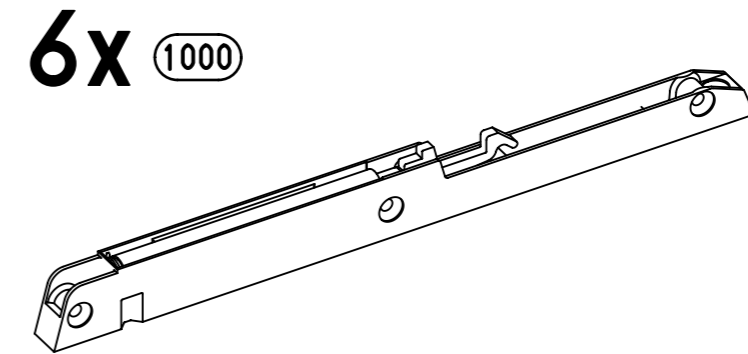
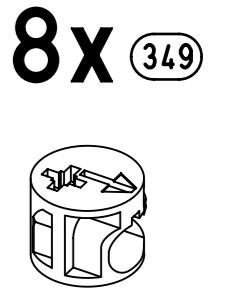
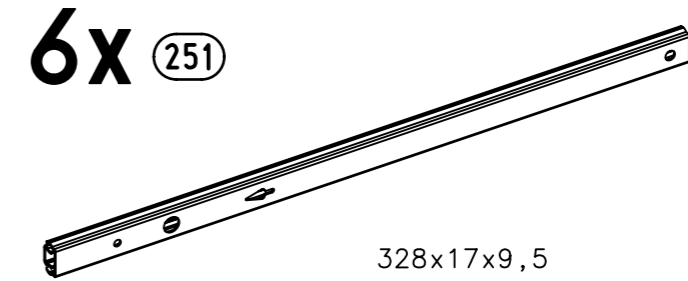
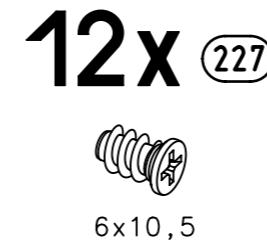
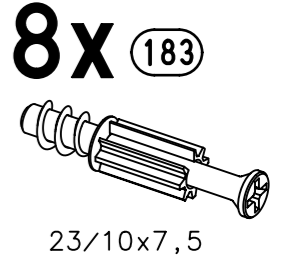
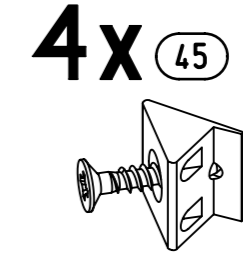
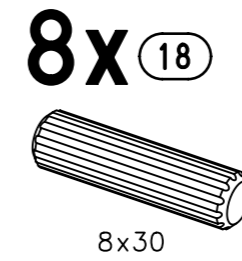
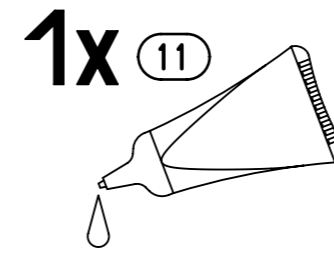
1.

M2141\_04

rauch

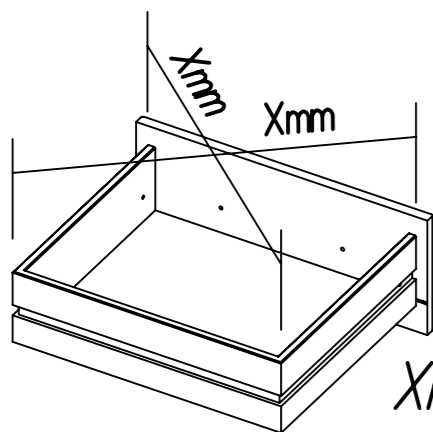
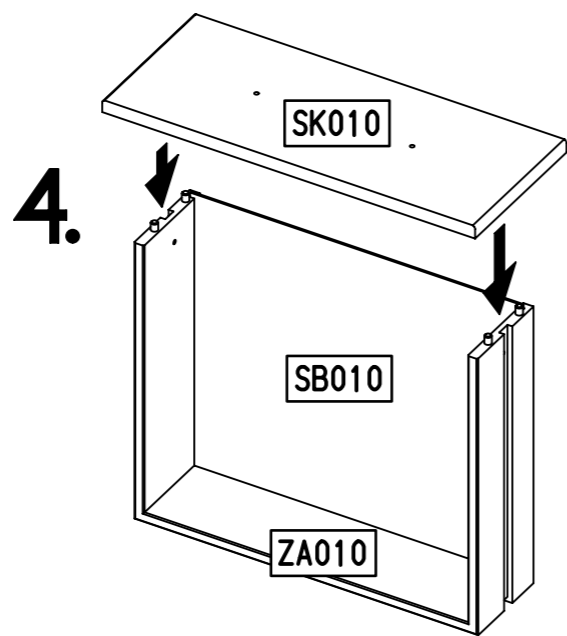
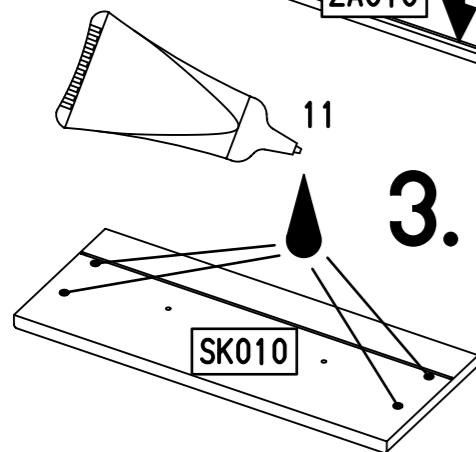
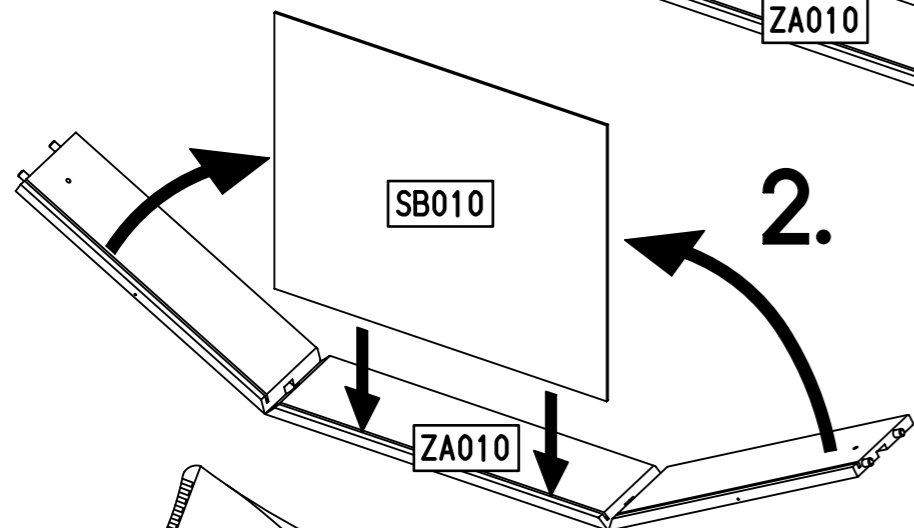
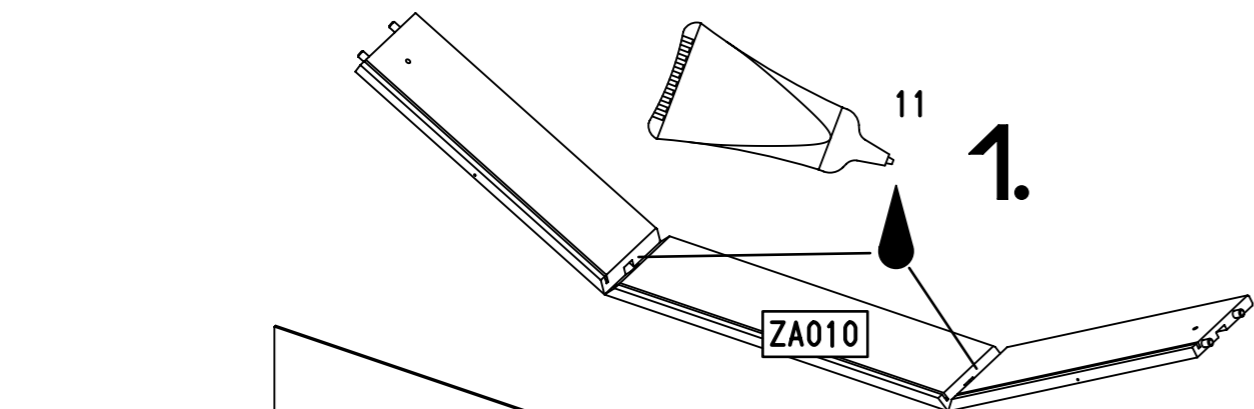
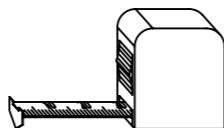
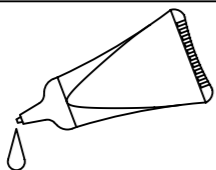


2.

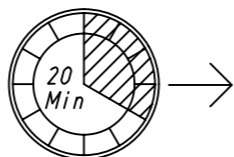


1

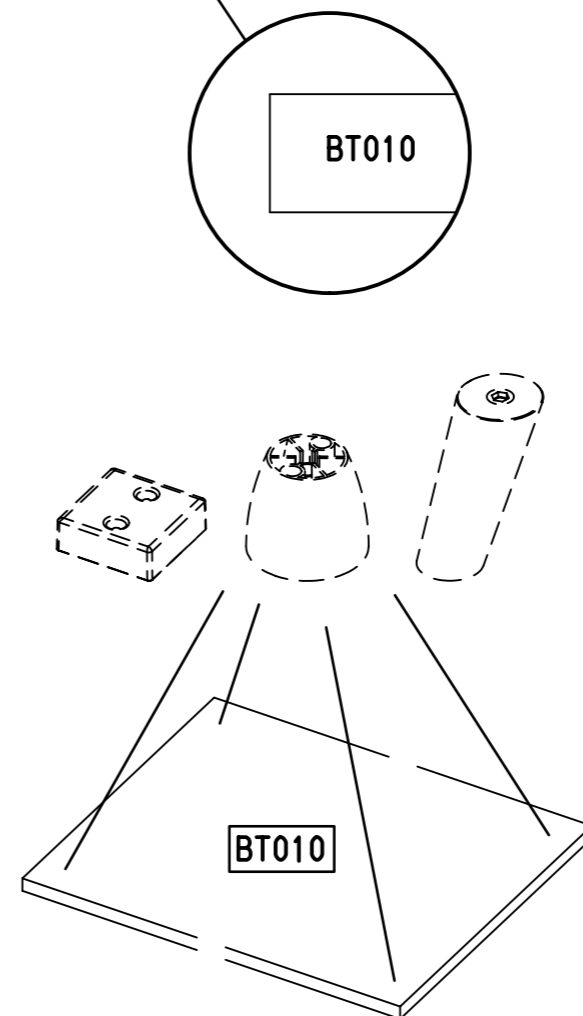
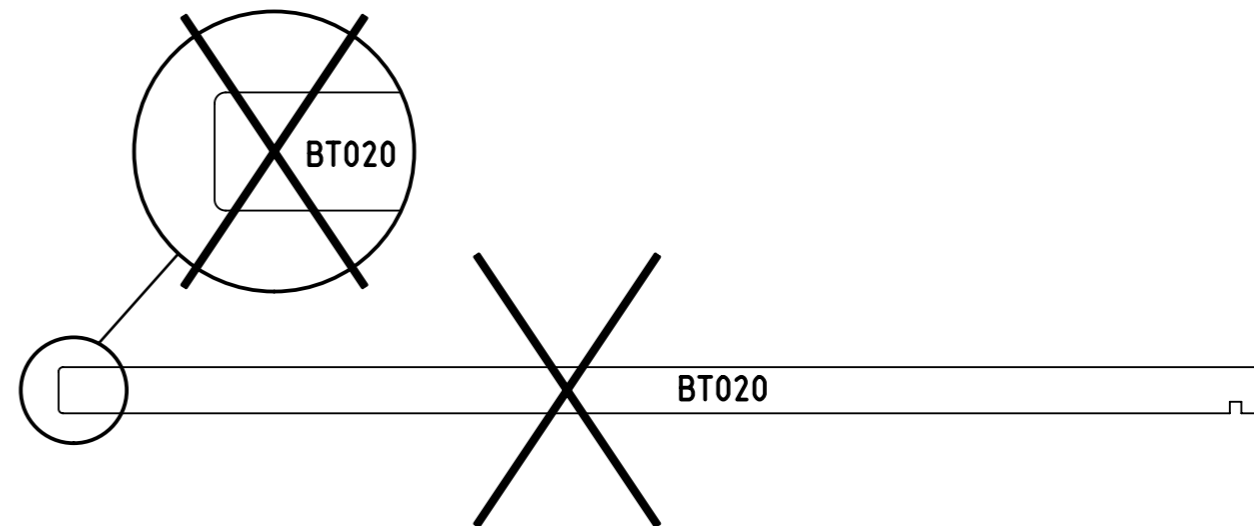
1x 11



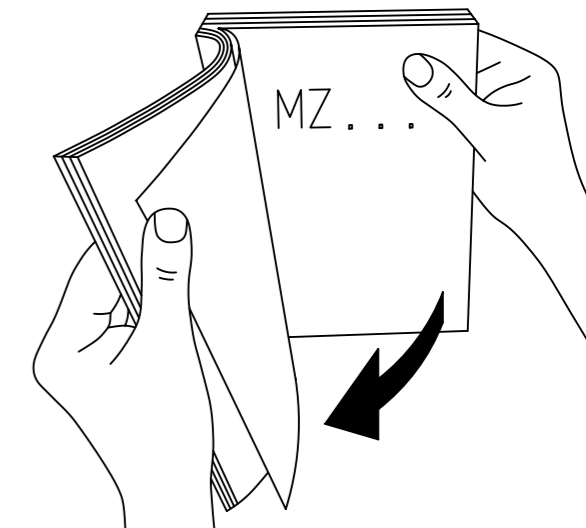
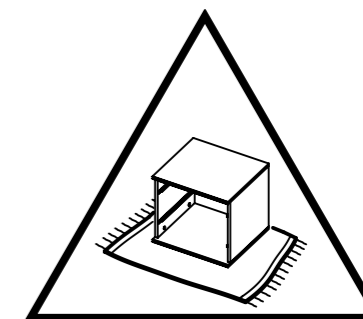
Xmm = Xmm



2



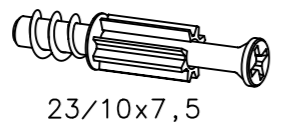
Fu



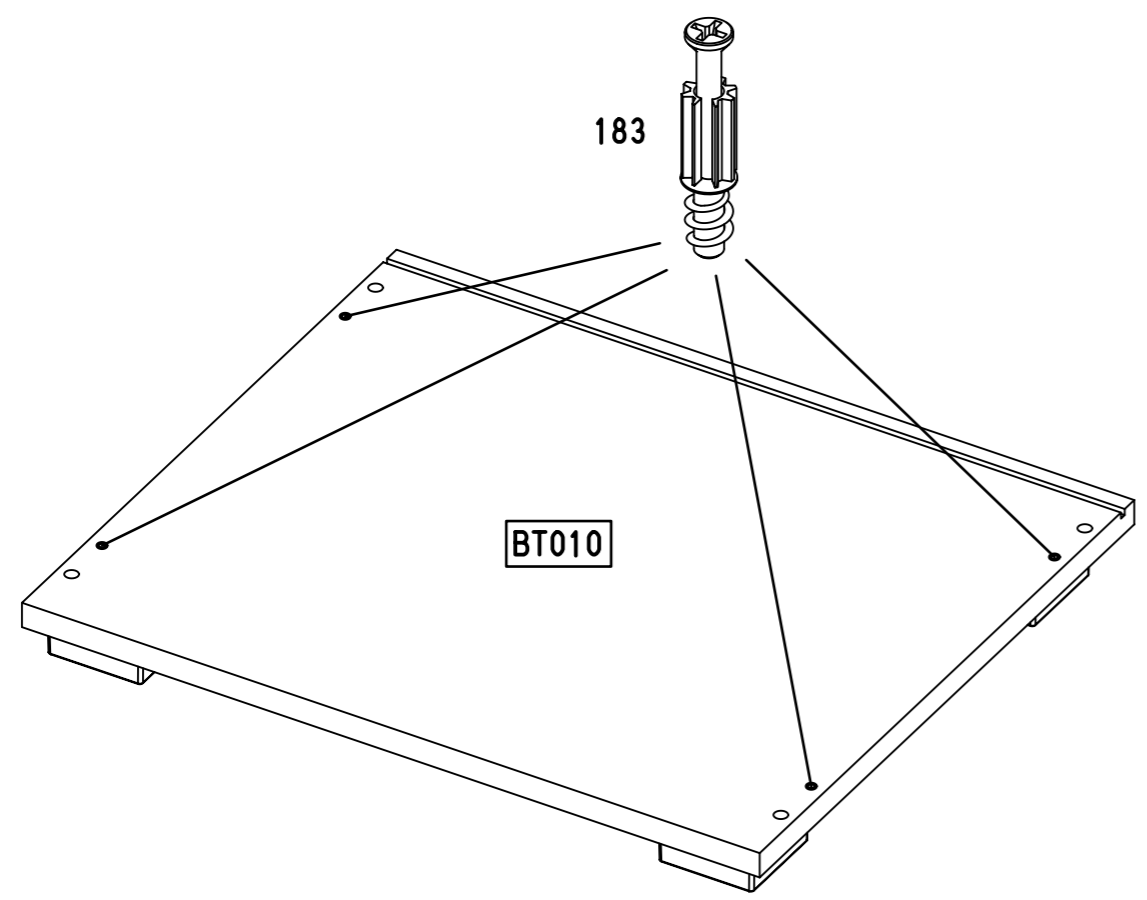
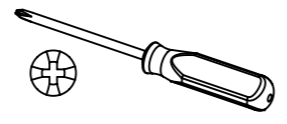
5.

3

4x 183



23/10x7,5



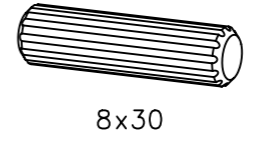
BT010

M2141

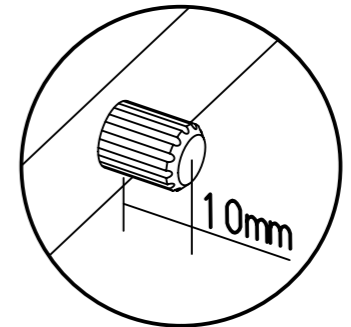
6.

4

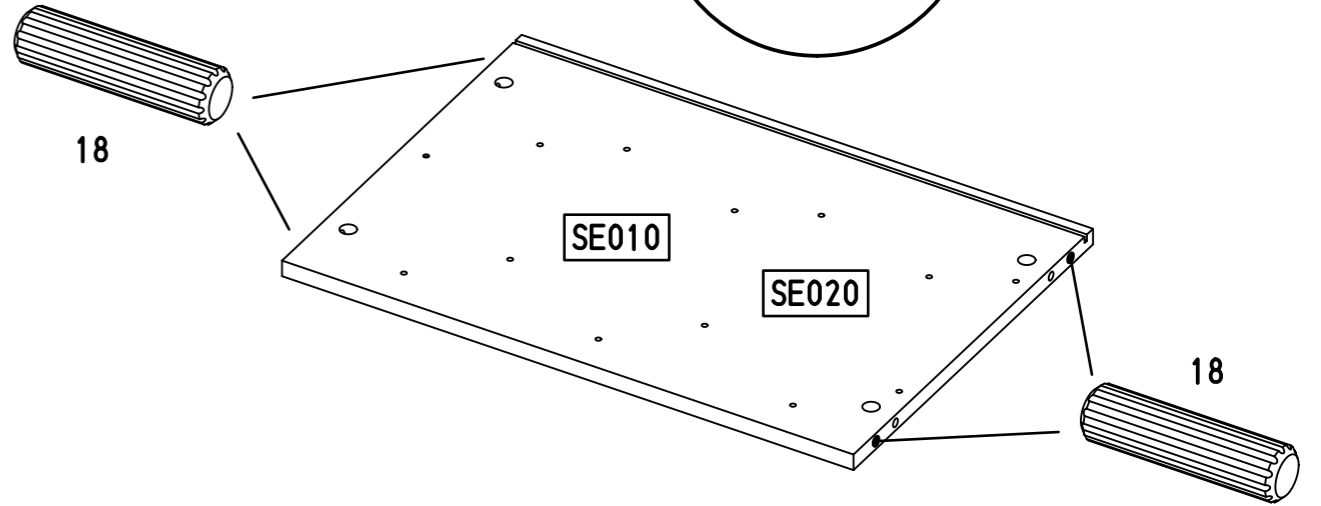
8x 18



8x30



10mm

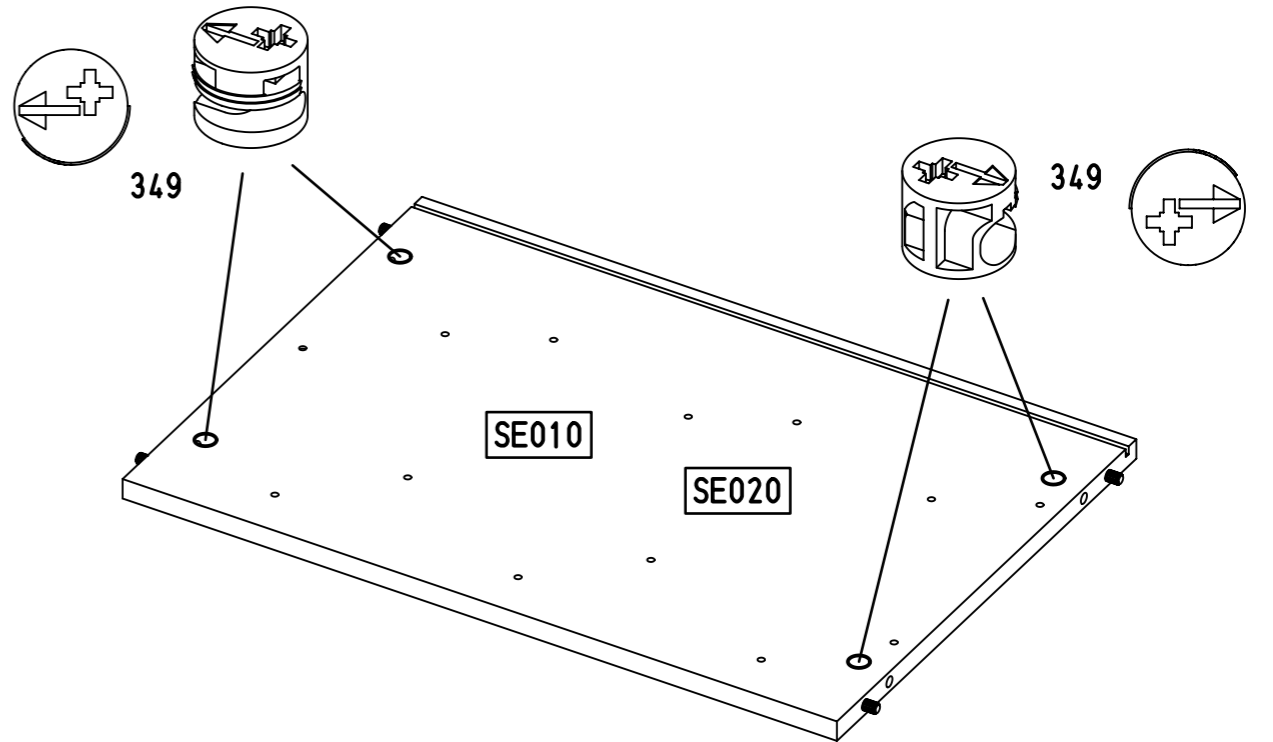
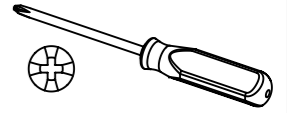
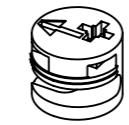


SE010

SE020

5

8x 349



SE010

SE020

M2141

7.

6

3x (251)

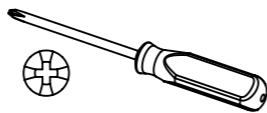


328x17x9,5

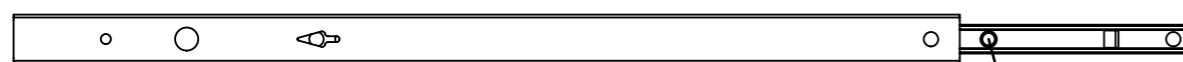
6x (227)



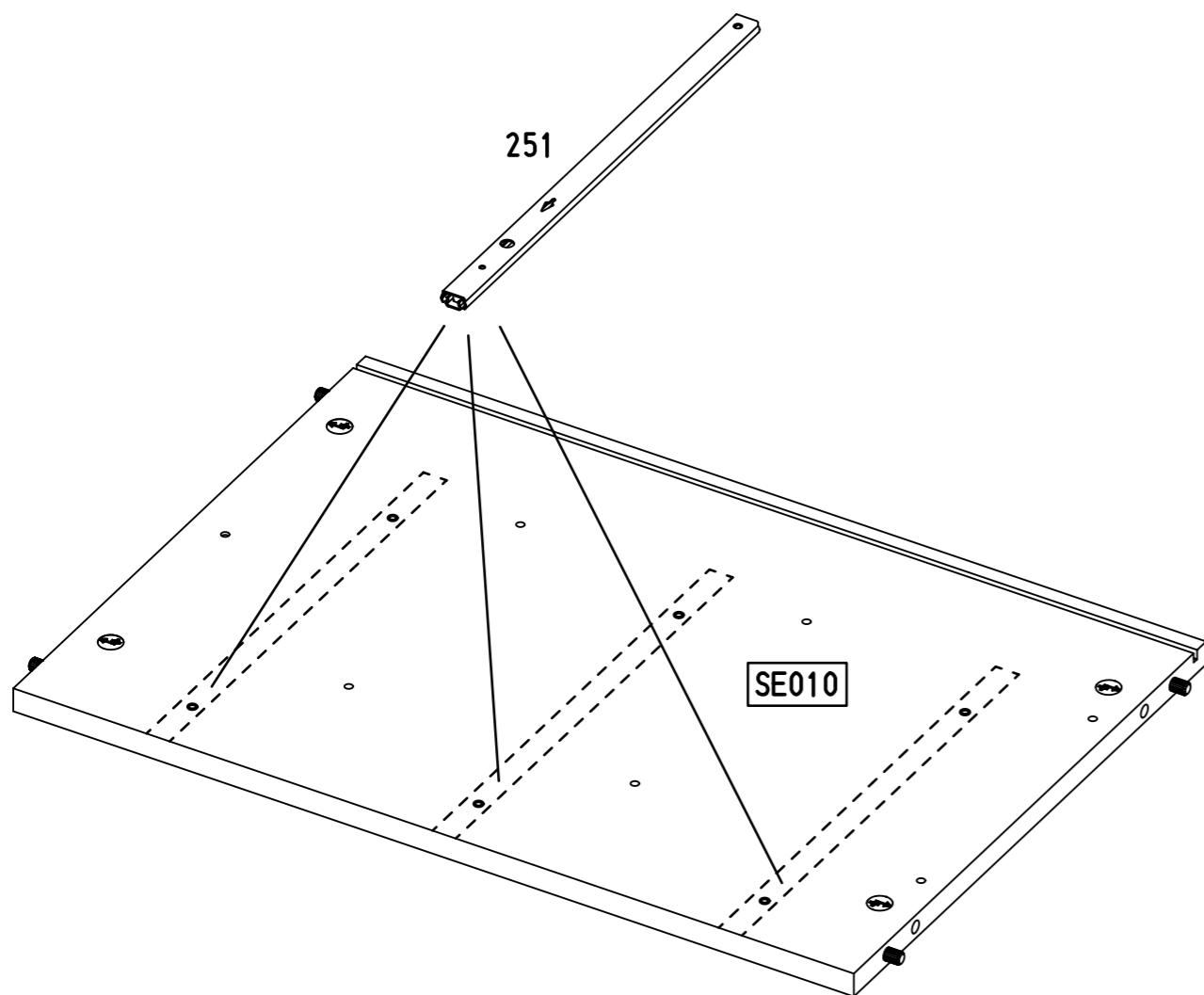
6x10,5



1. (227)



2. (227)



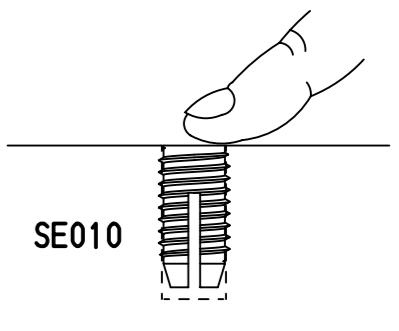
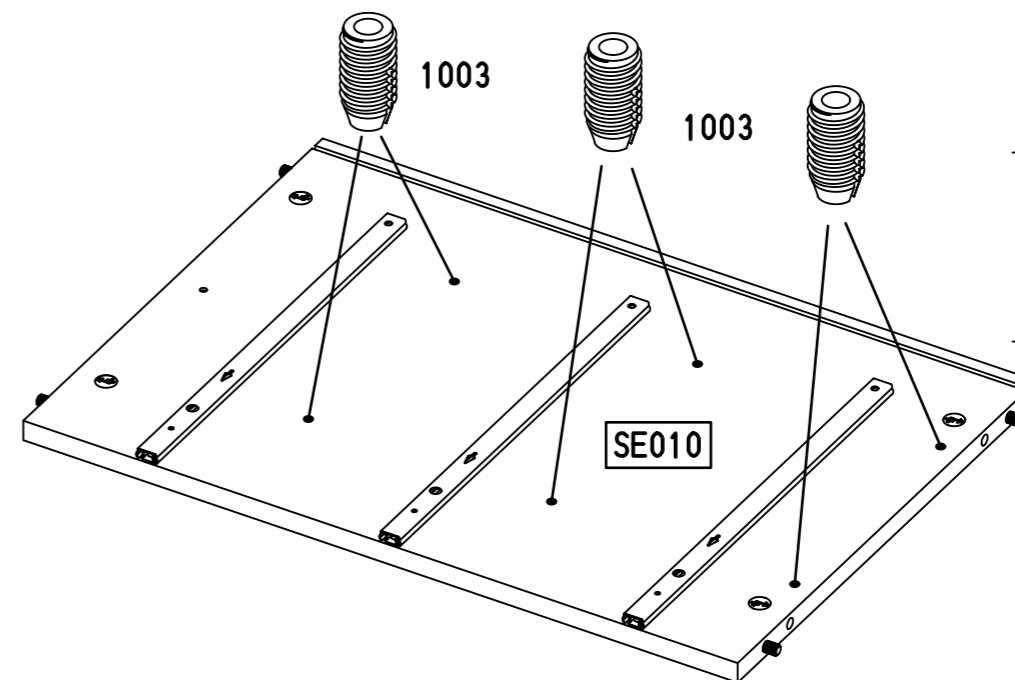
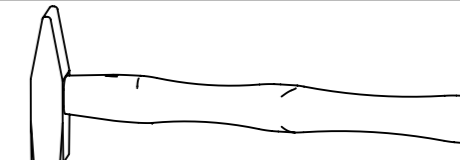
8.

7

6x (1003)



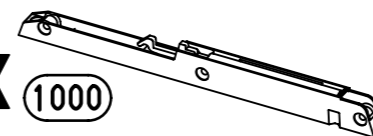
6x12



SE010

8

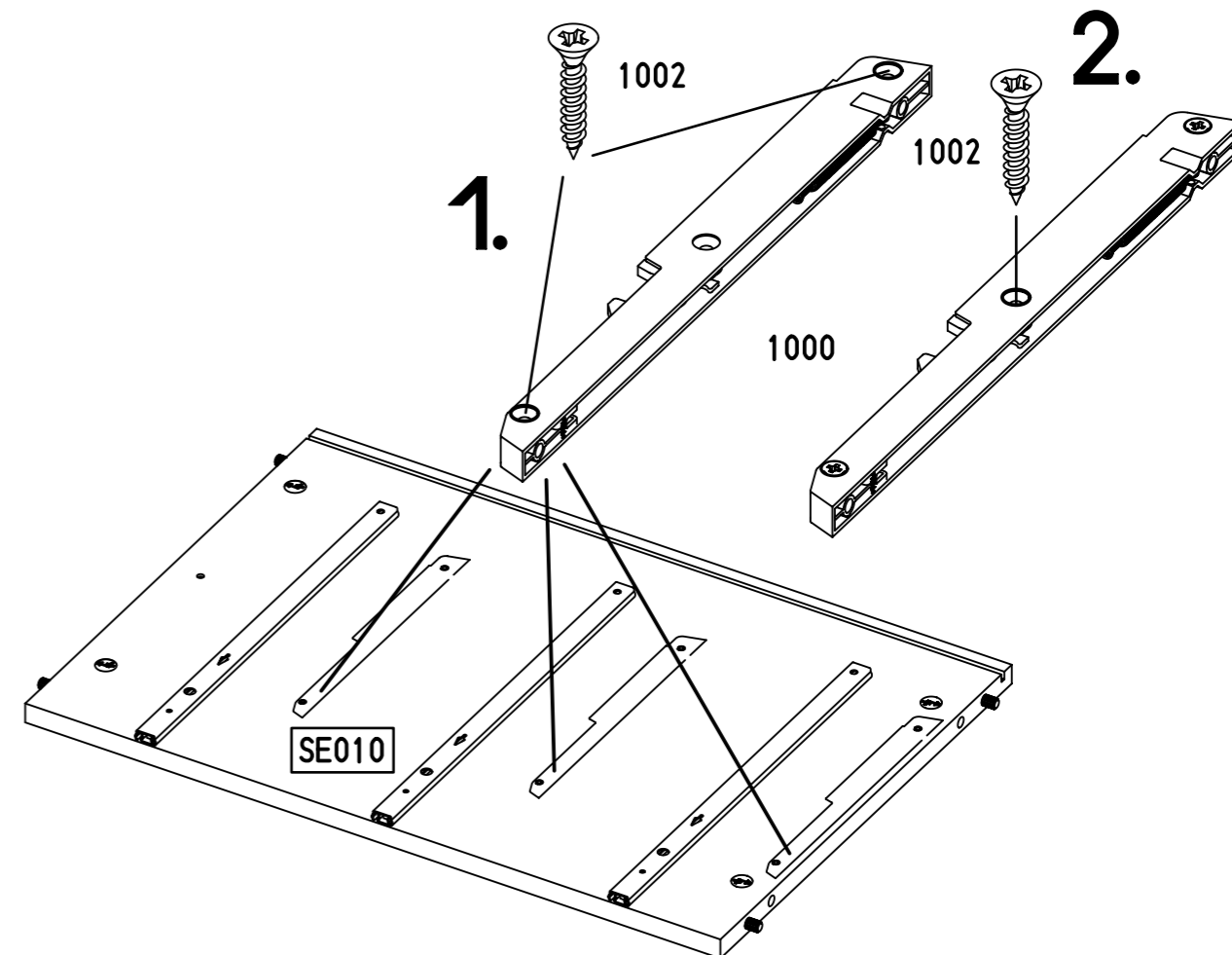
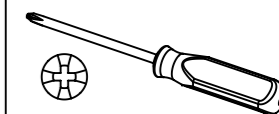
3x (1000)



9x (1002)



3,5x20



1.

2.

9.

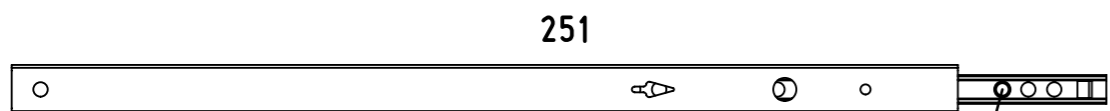
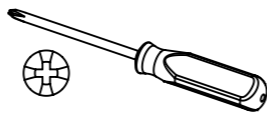
9

3x (251)

328x17x9,5

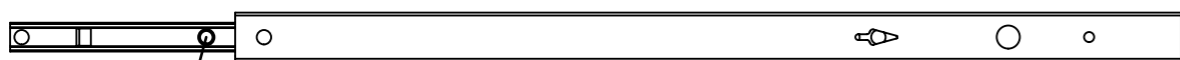
6x (227)

6x10,5

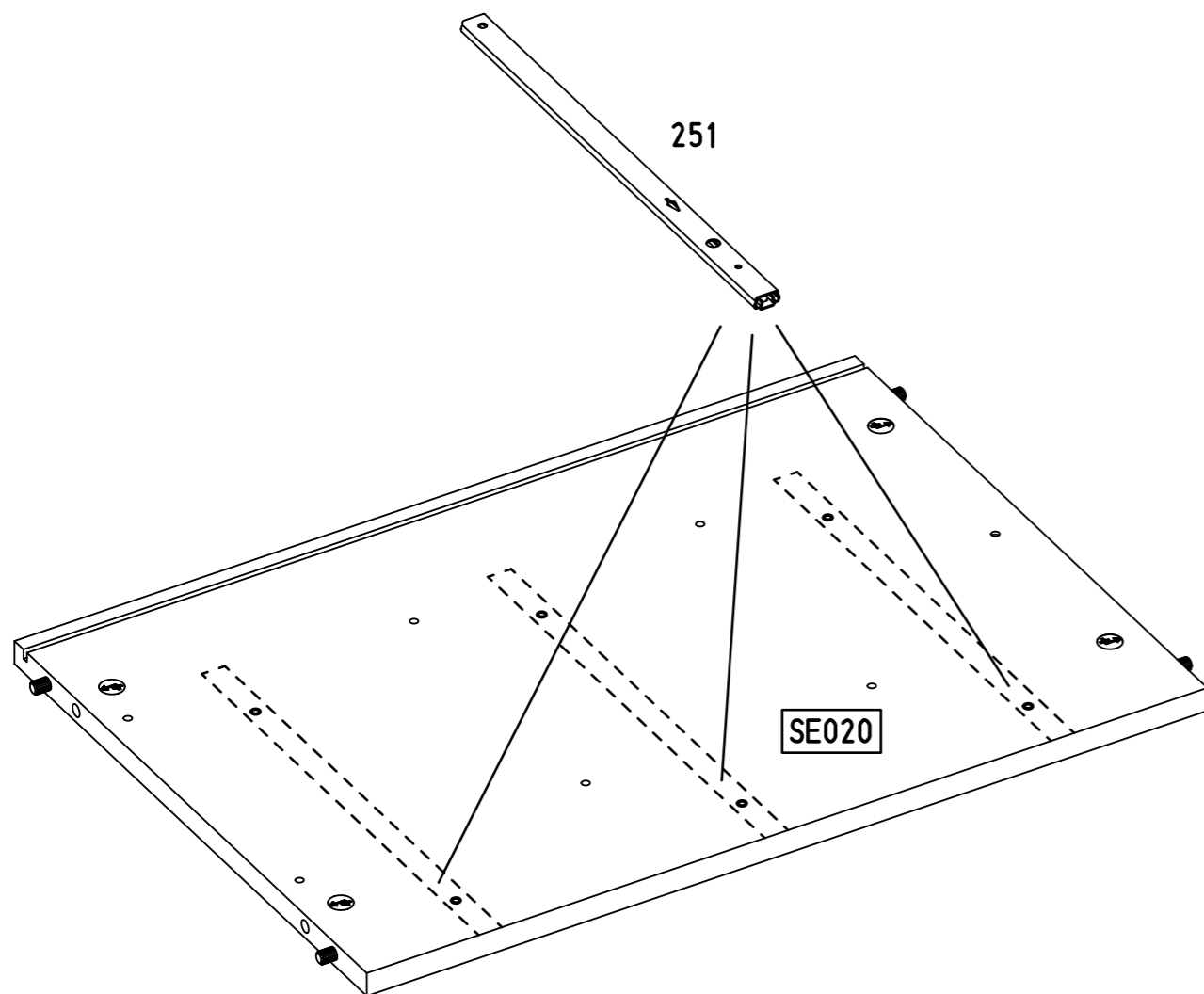


251

227 1.



227 2.



251

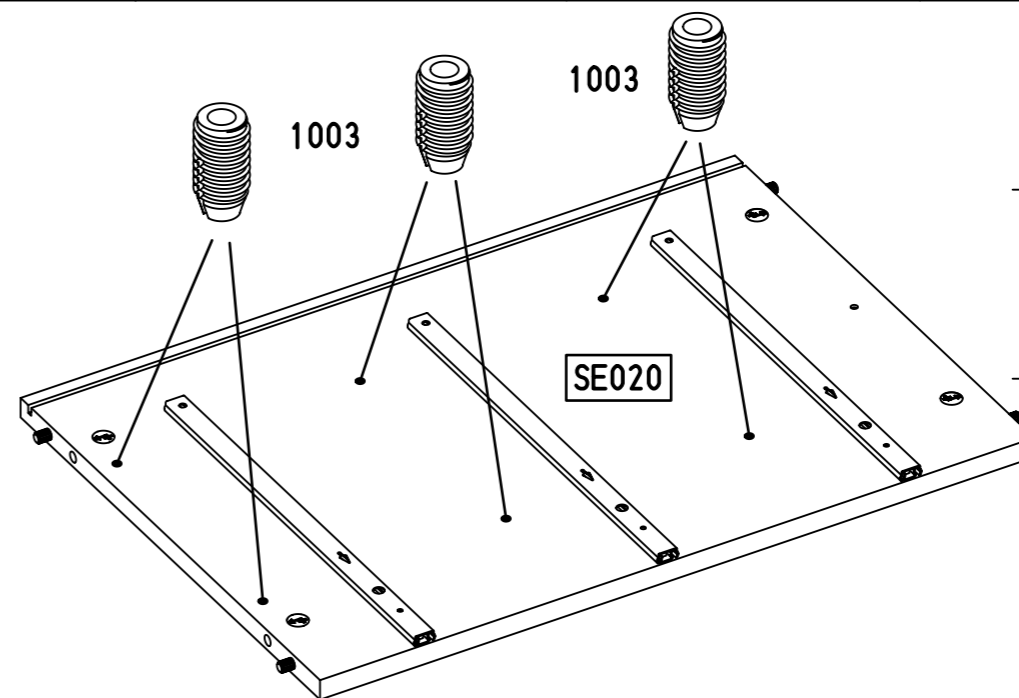
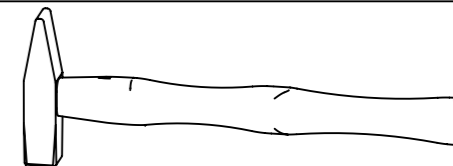
SE020

10.

10

6x (1003)

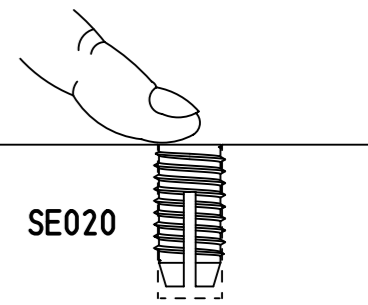
6x12



1003

1003

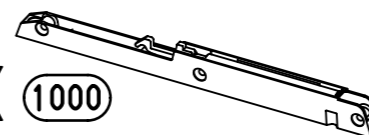
SE020



SE020

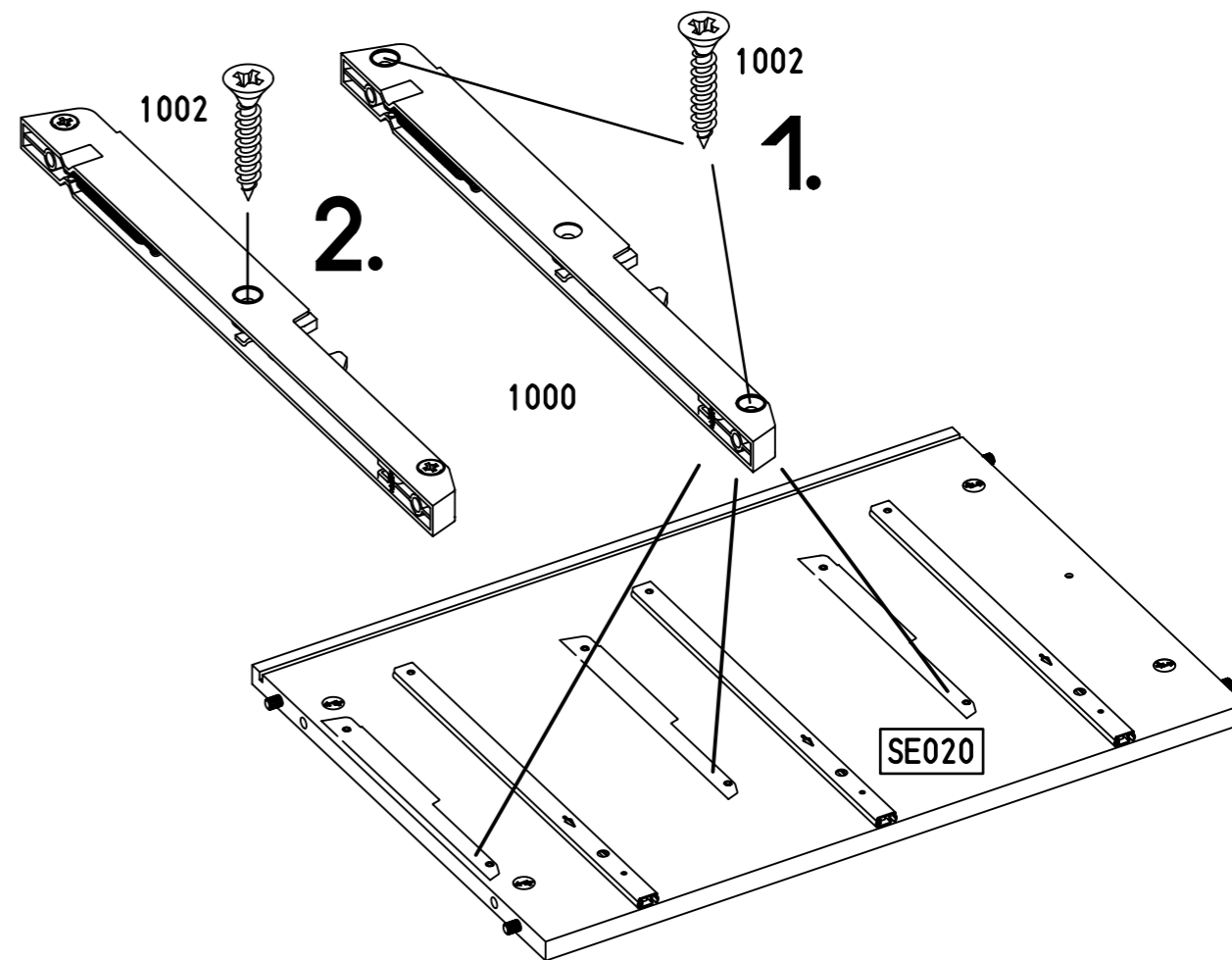
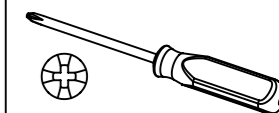
11

3x (1000)



9x (1002)

3,5x20



1002

2.

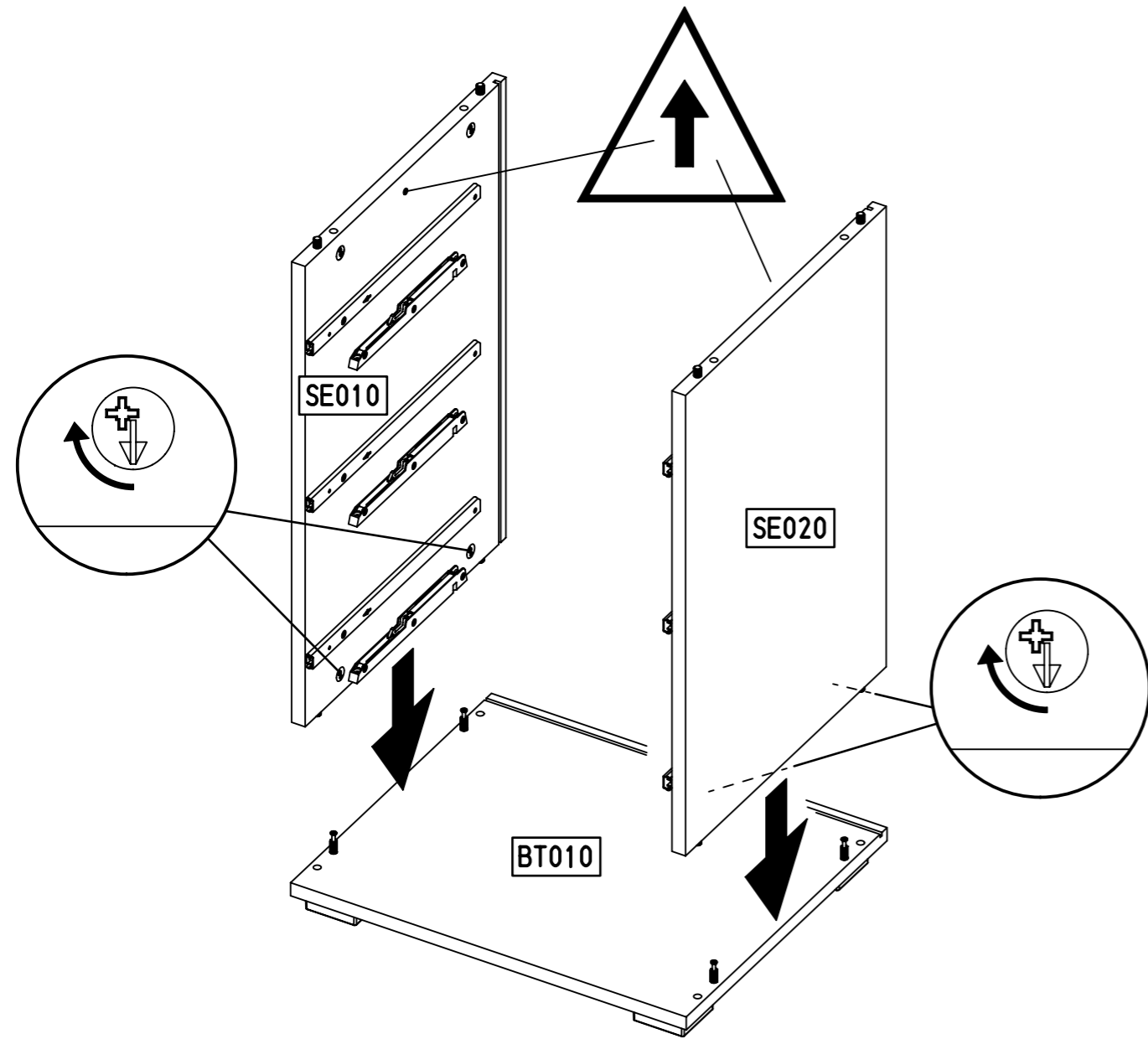
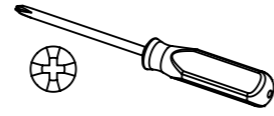
1000

1.

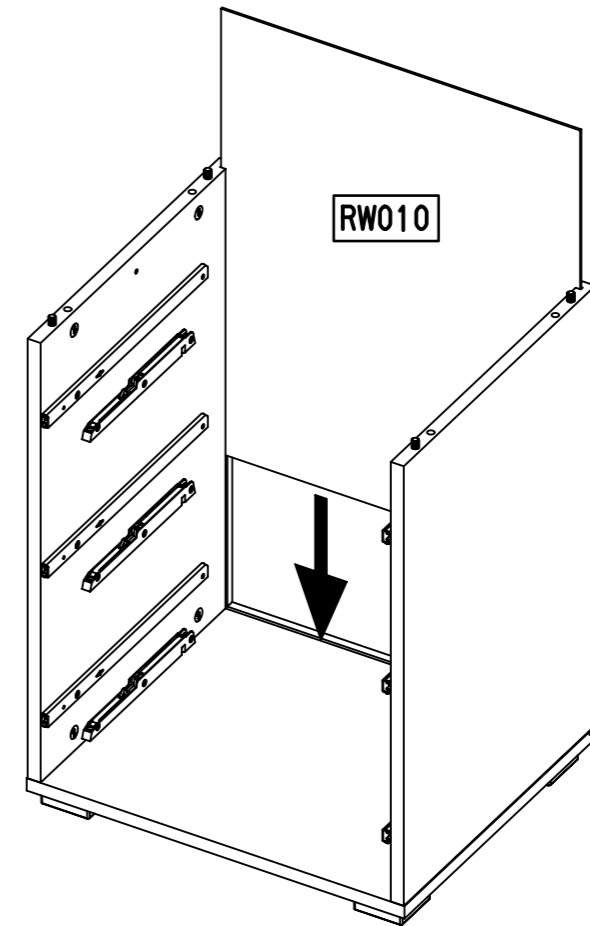
1002

SE020

12

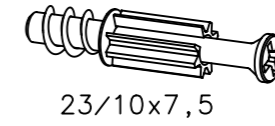


13

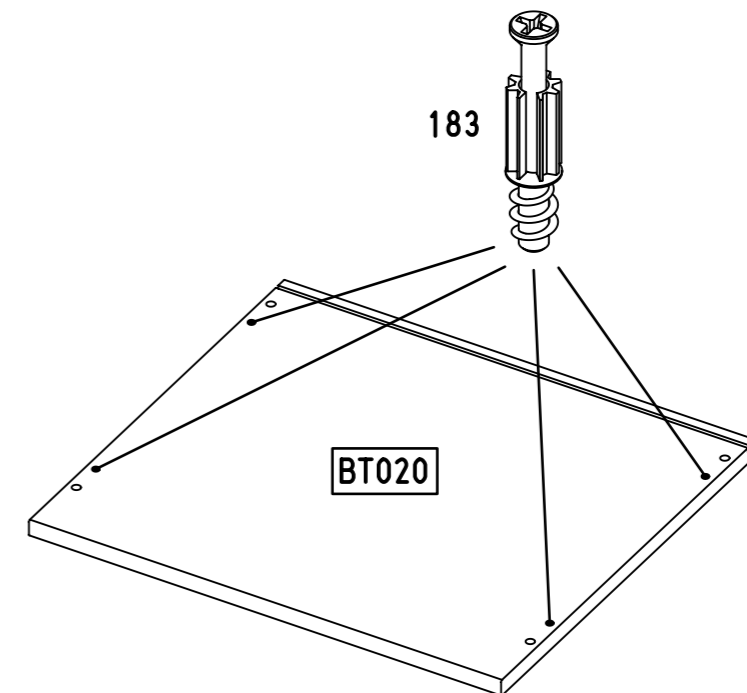
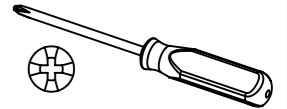


14

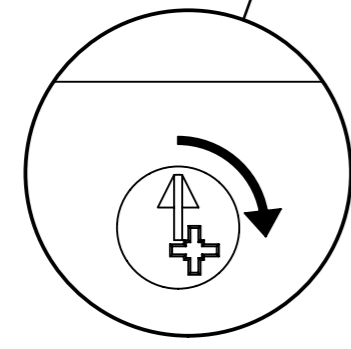
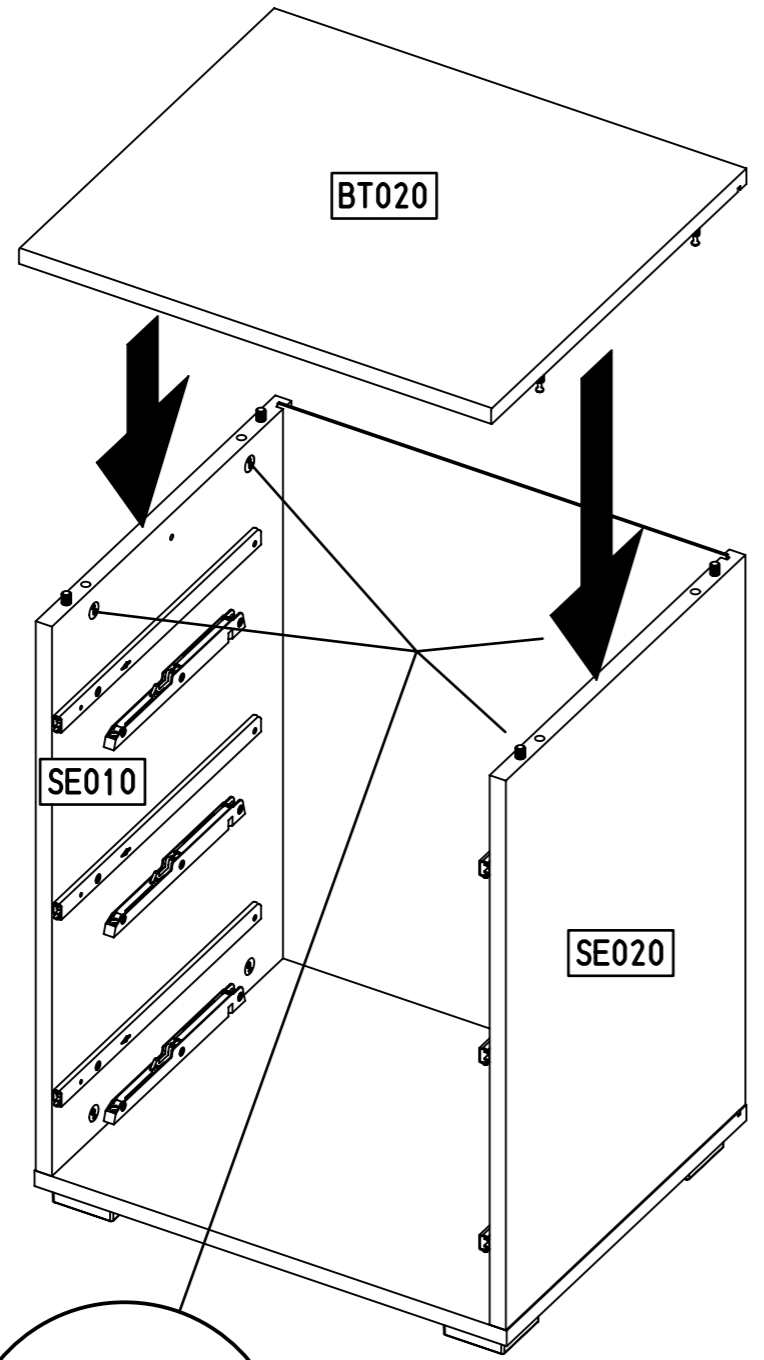
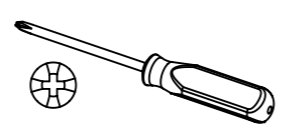
4x 183



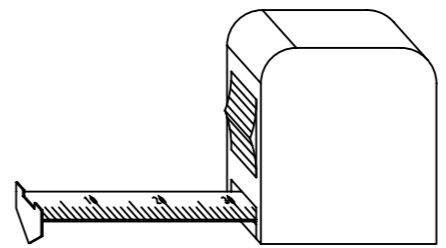
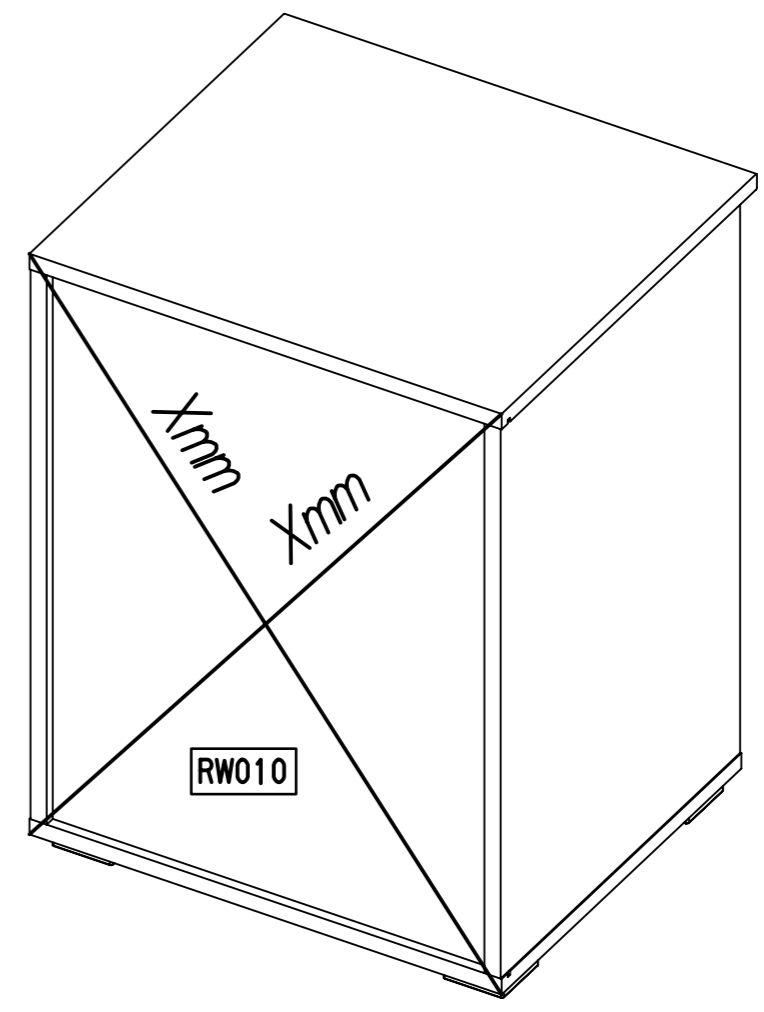
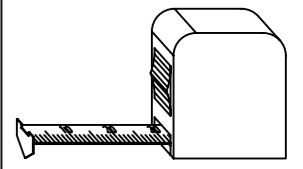
23/10x7,5



15



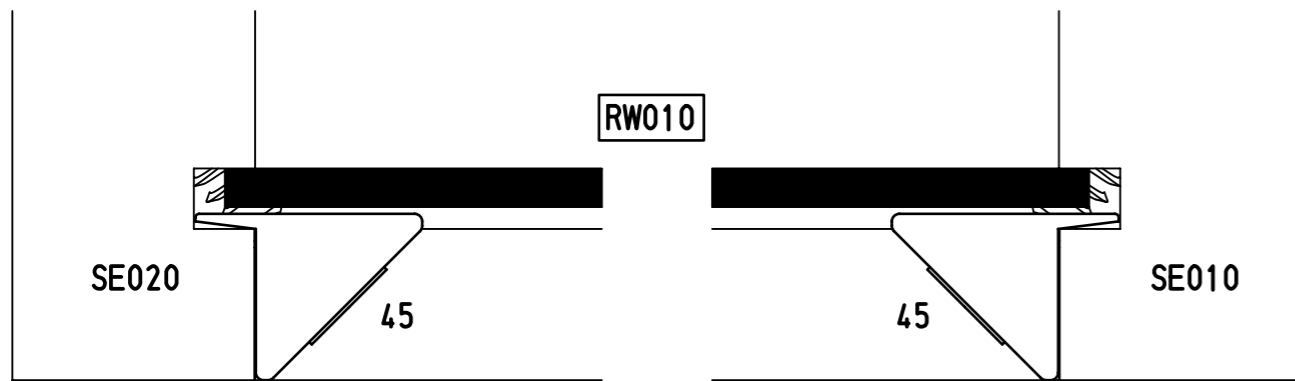
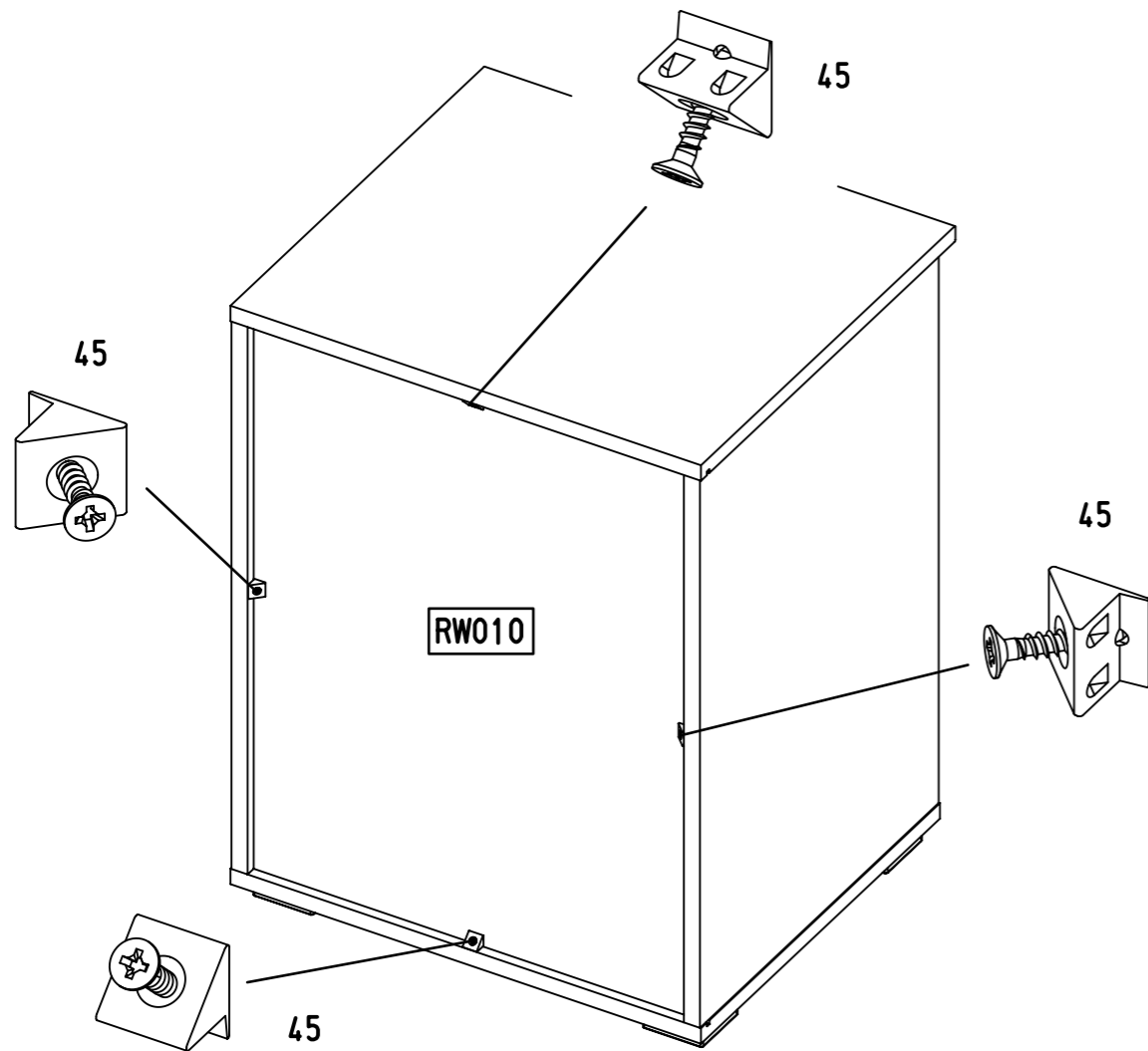
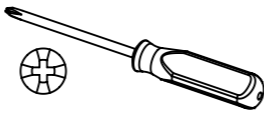
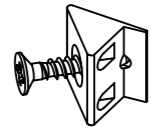
16



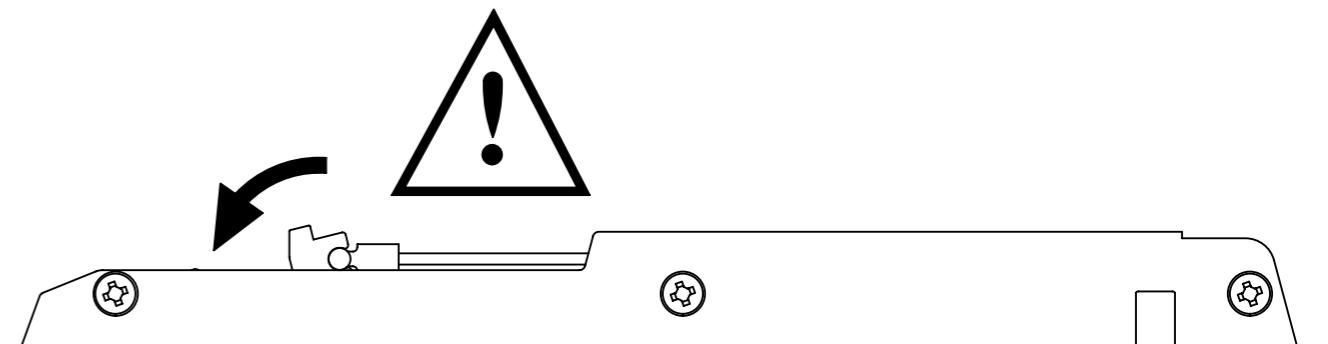
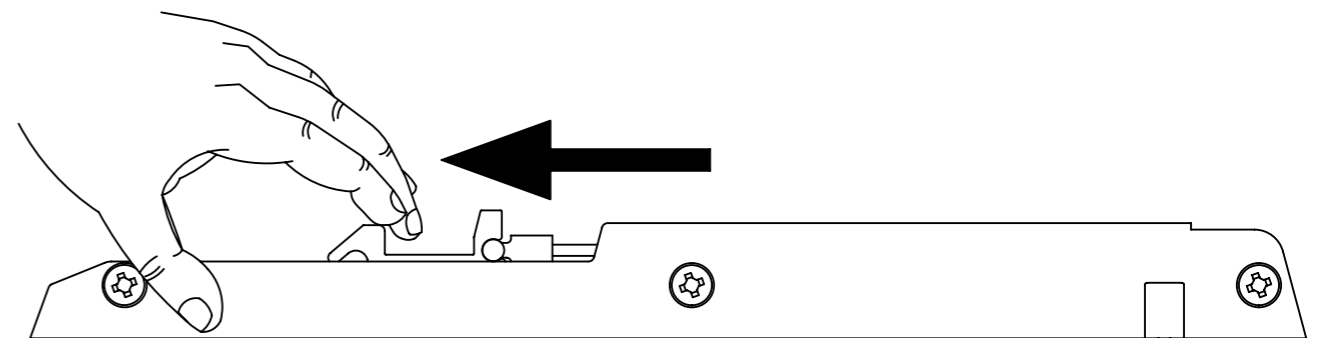
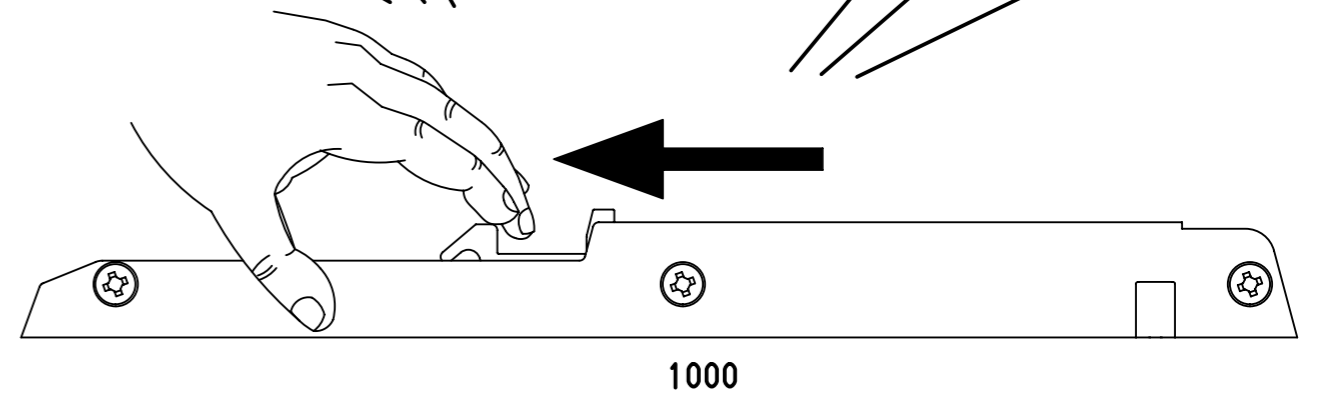
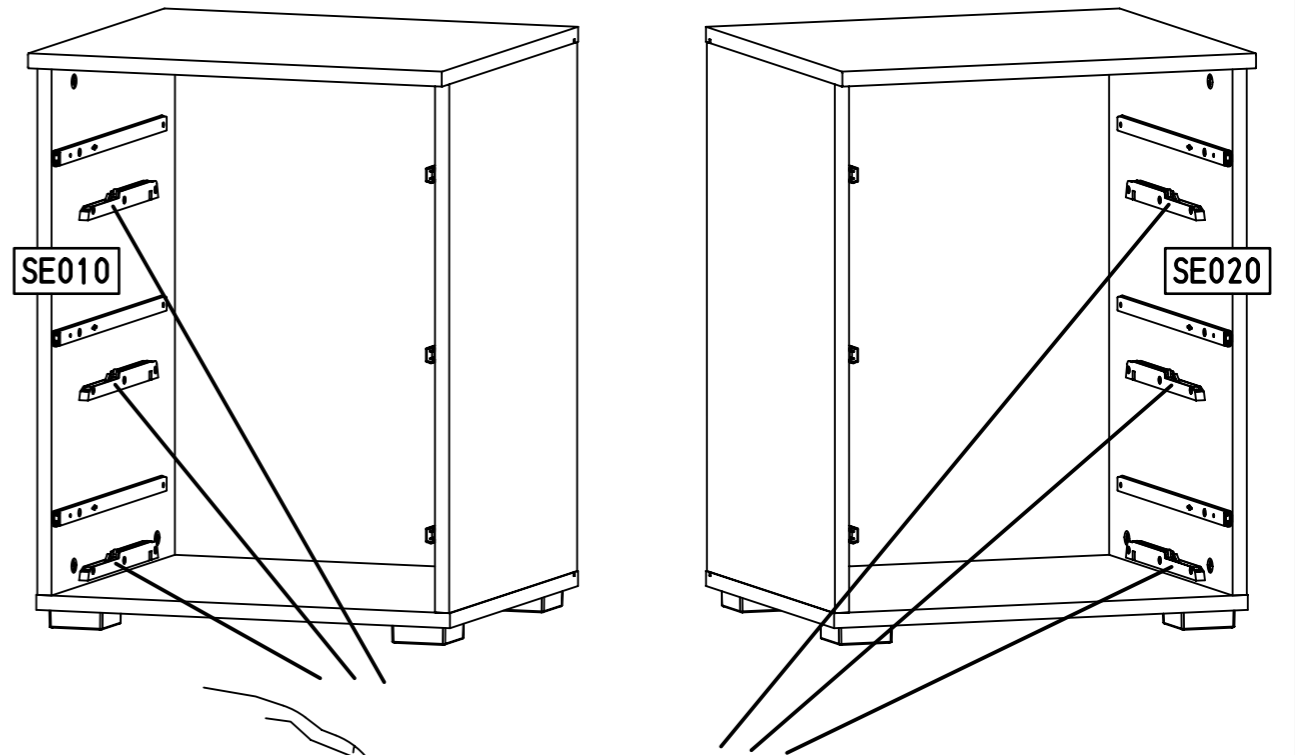
Xmm = Xmm

17

4x 45



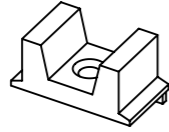
18



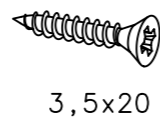


19

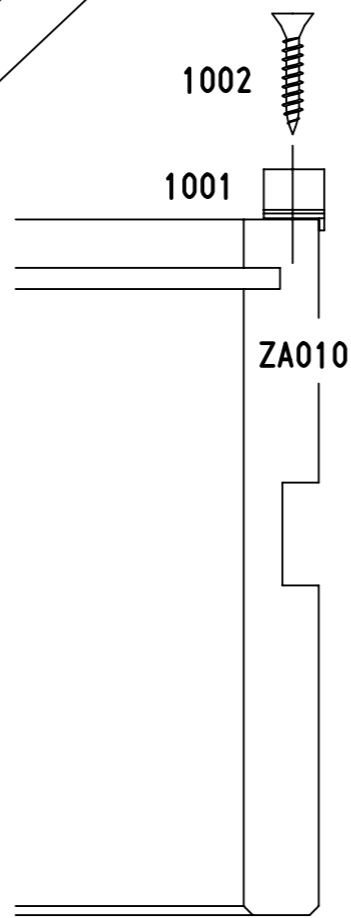
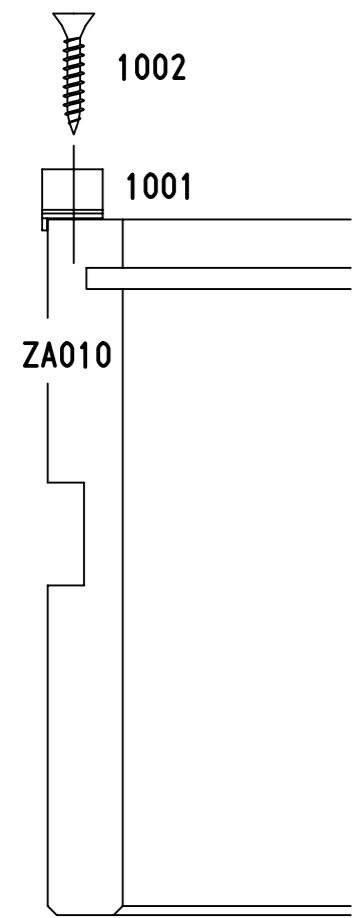
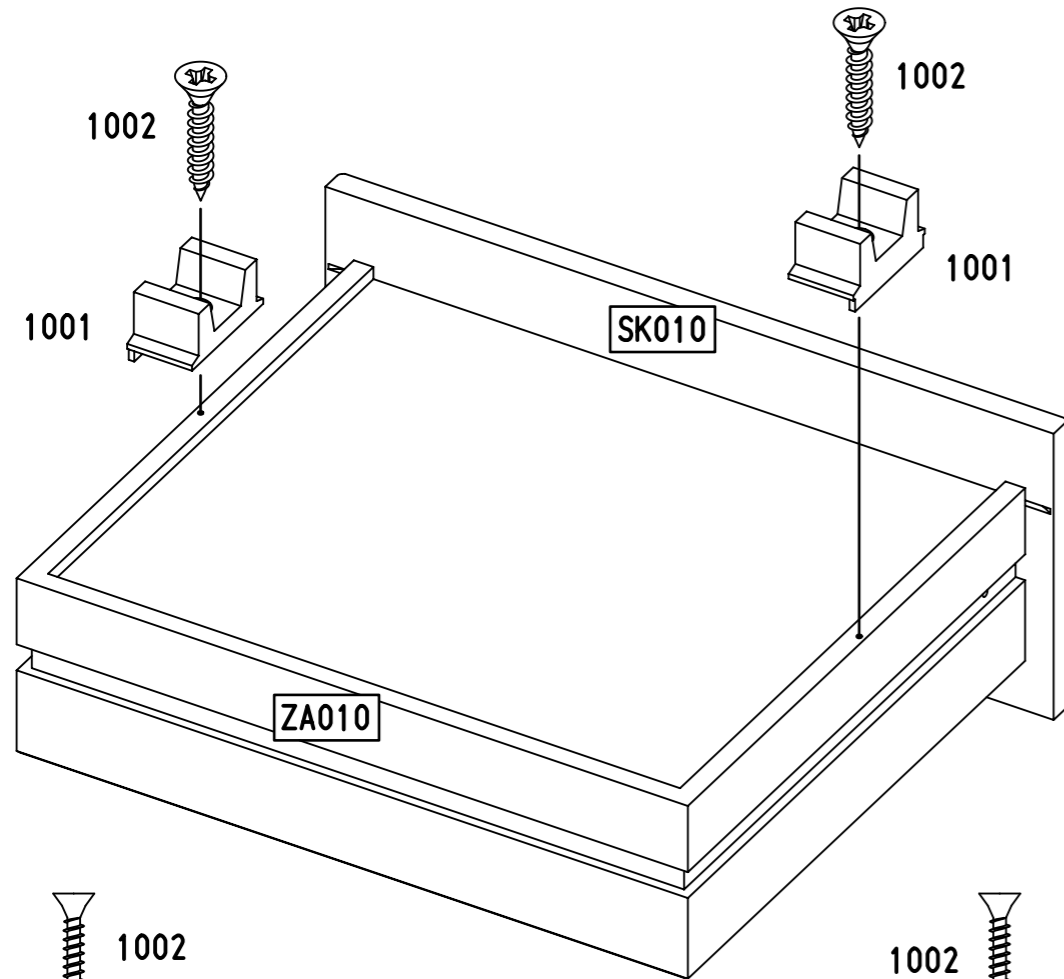
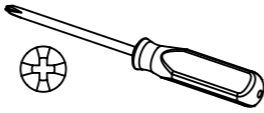
6x 1001



6x 1002



3,5x20



20

6x 568



M4x9

