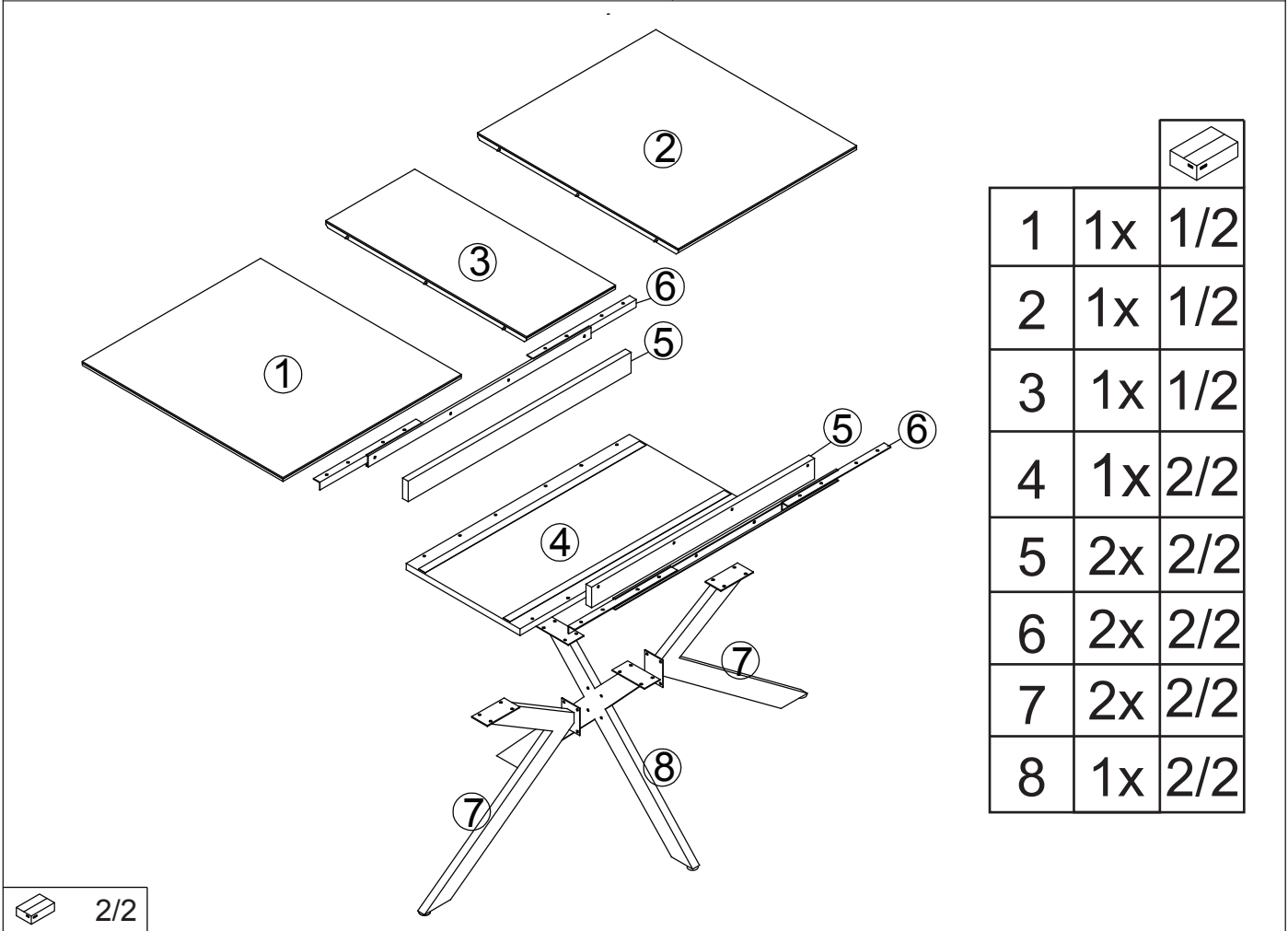
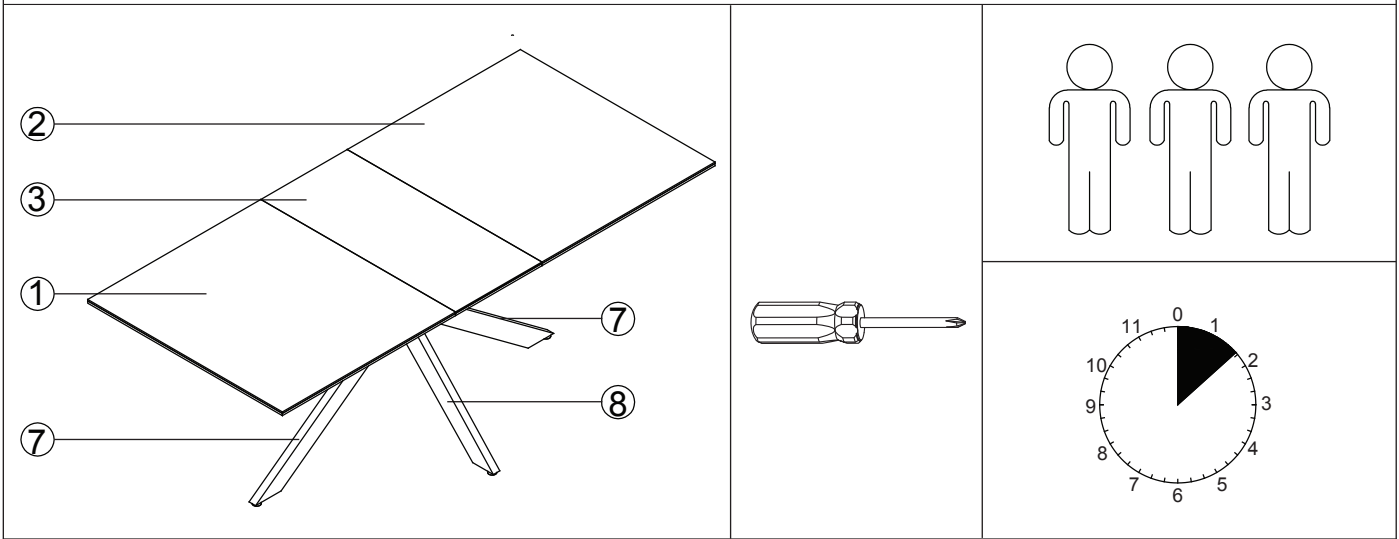
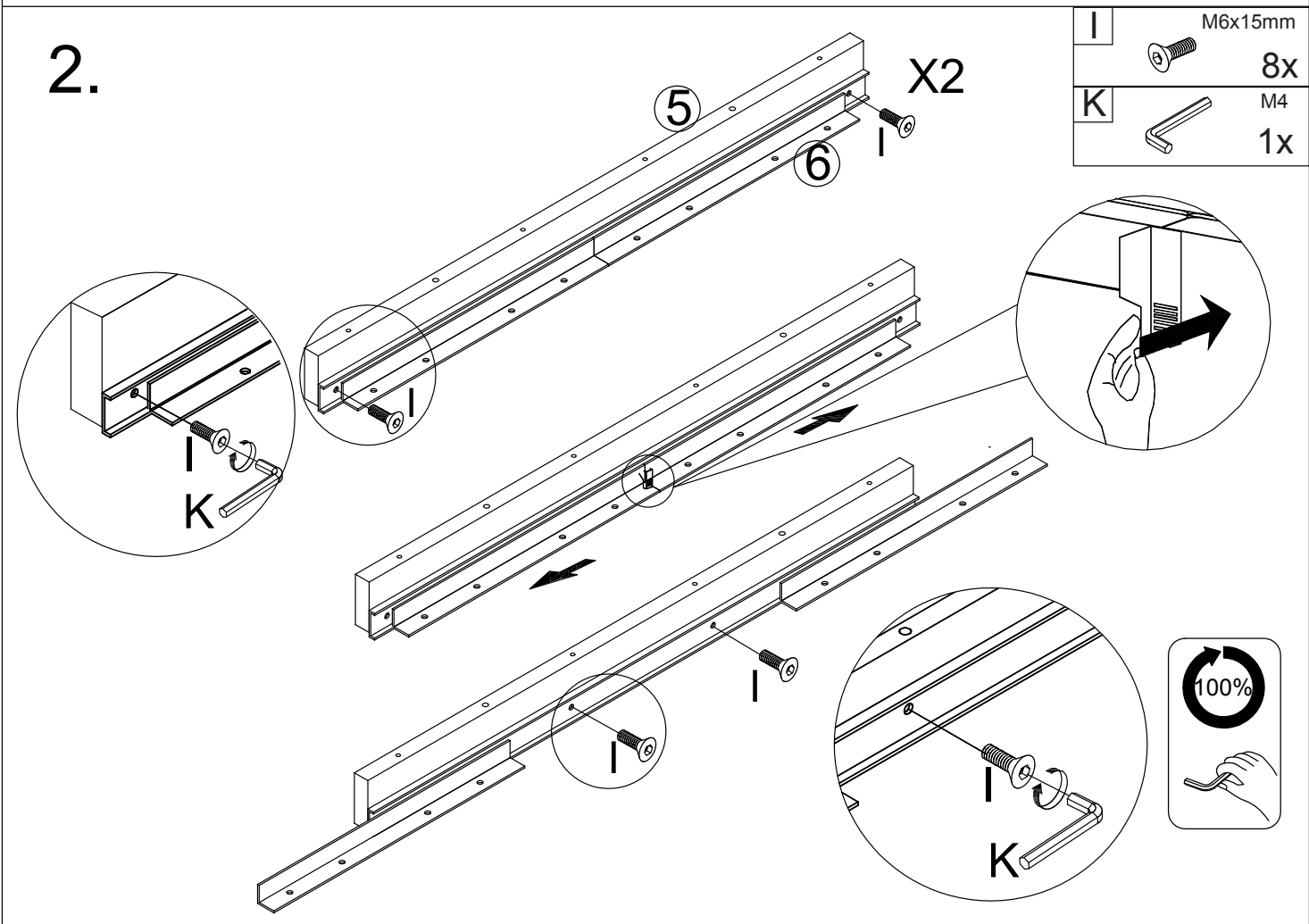
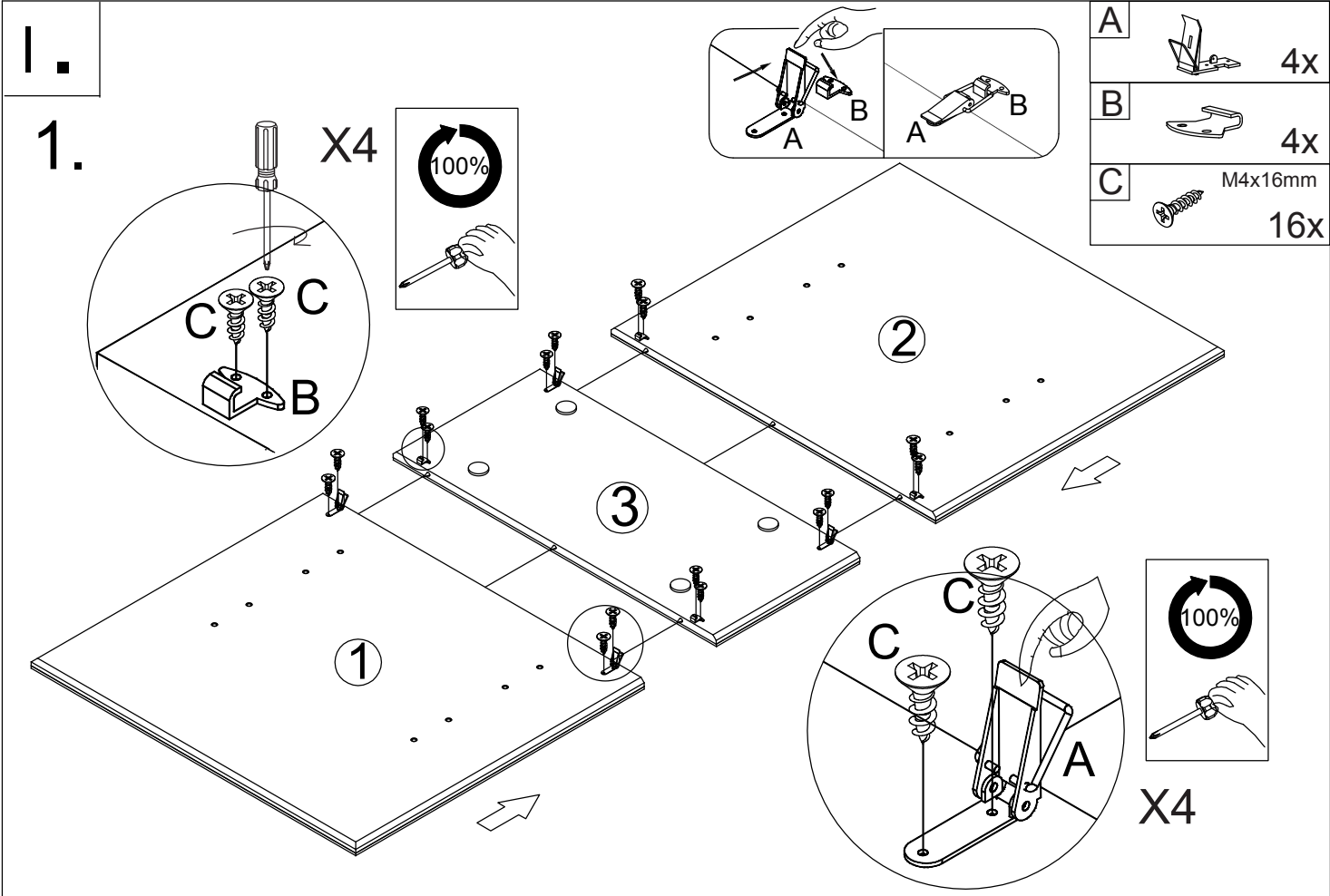


Chiara



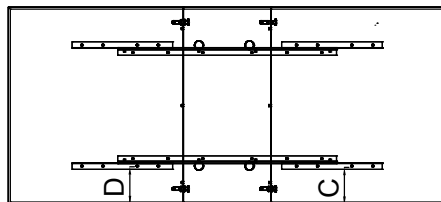
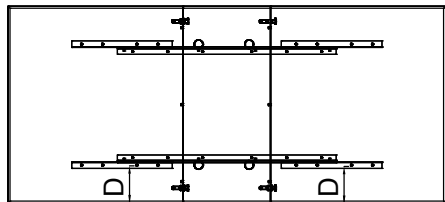
1	1x	1/2
2	1x	1/2
3	1x	1/2
4	1x	2/2
5	2x	2/2
6	2x	2/2
7	2x	2/2
8	1x	2/2

2/2									
A 4x	B 4x	C M4x16mm 16x	D M6x15mm 24x	E M6x20mm 16x	F ø16xø6x1.5mm 40x	G ø8x30mm 4x	H M7x68mm 8x	I M6x15mm 8x	
J ø22xø8.5x2mm 4x	K M4 1x	L 1x	M 4x						

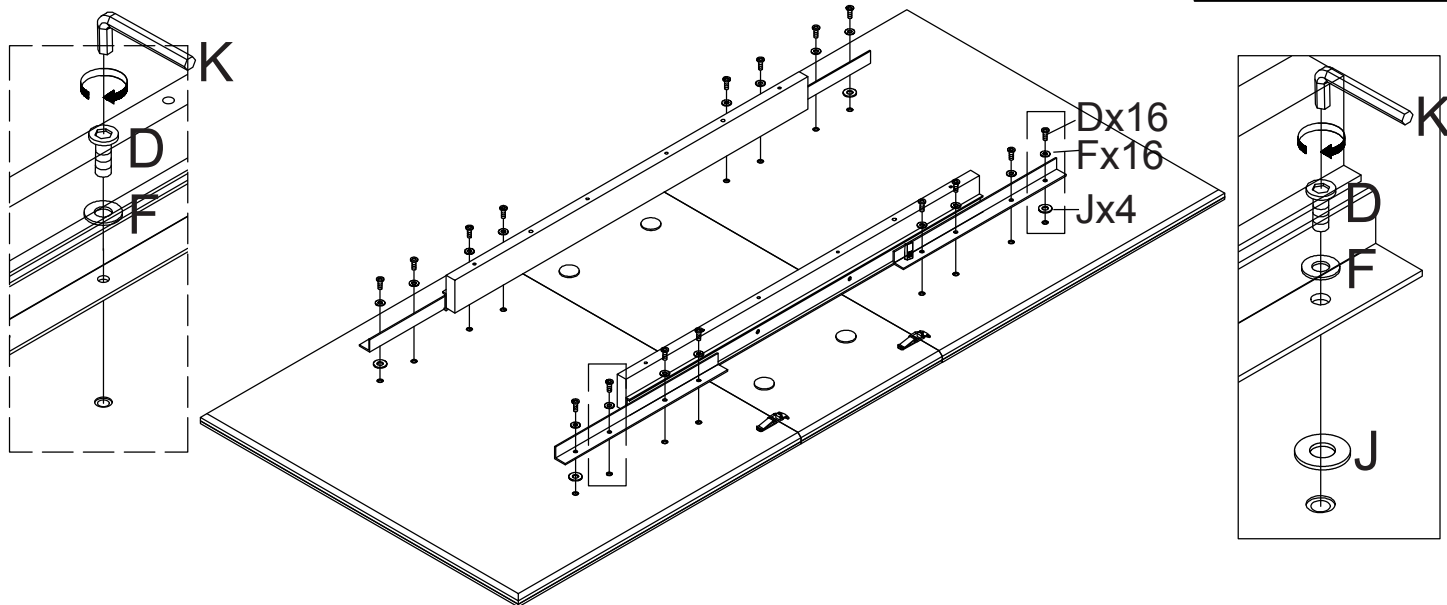


II.

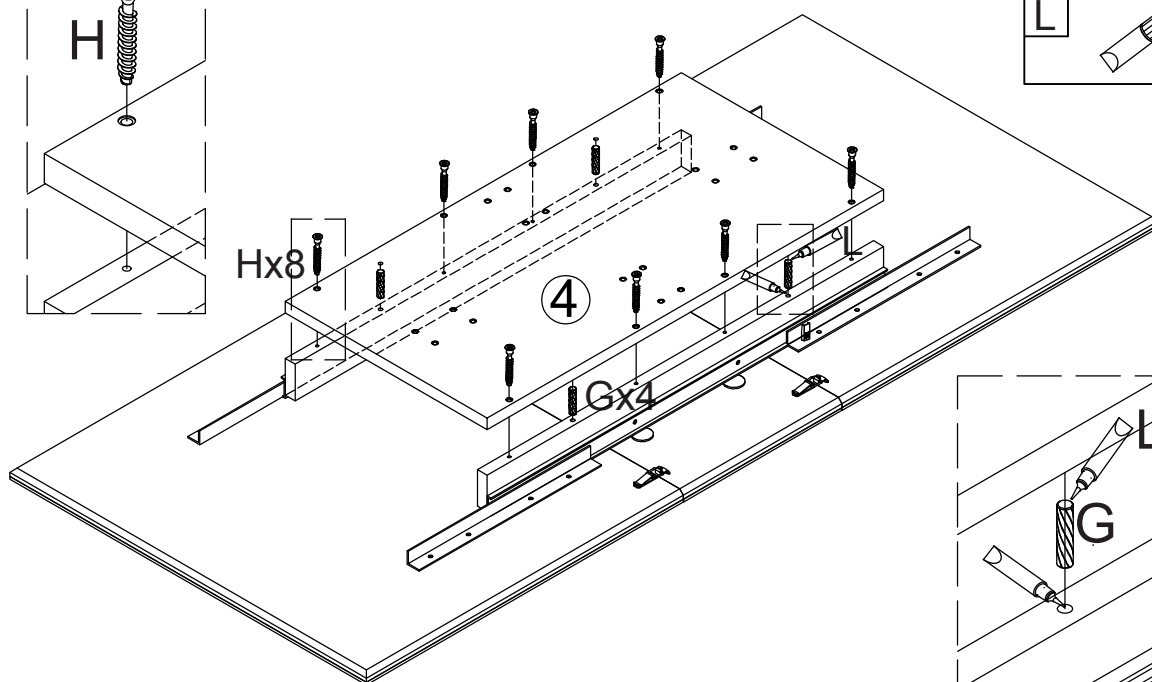
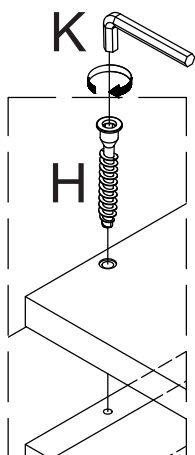
3.



D	M6x15mm	16x
F	ø16xø6x1.5mm	16x
J	ø22xø8.5x2mm	4x
K	M4	1x



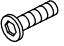


4.

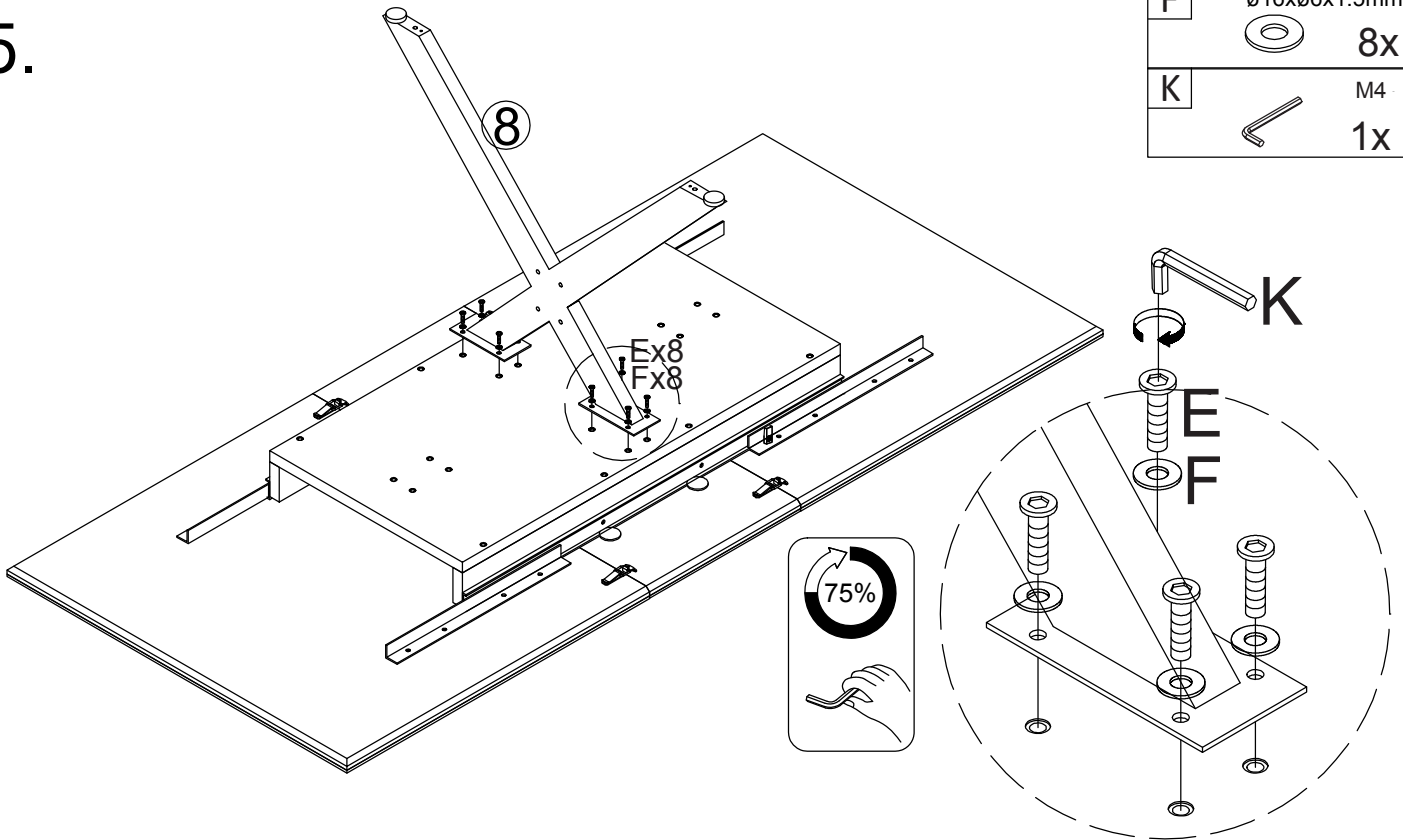


G	ø8x30mm	4x
H	M7x68mm	8x
K	M4	1x
L		1x




III.

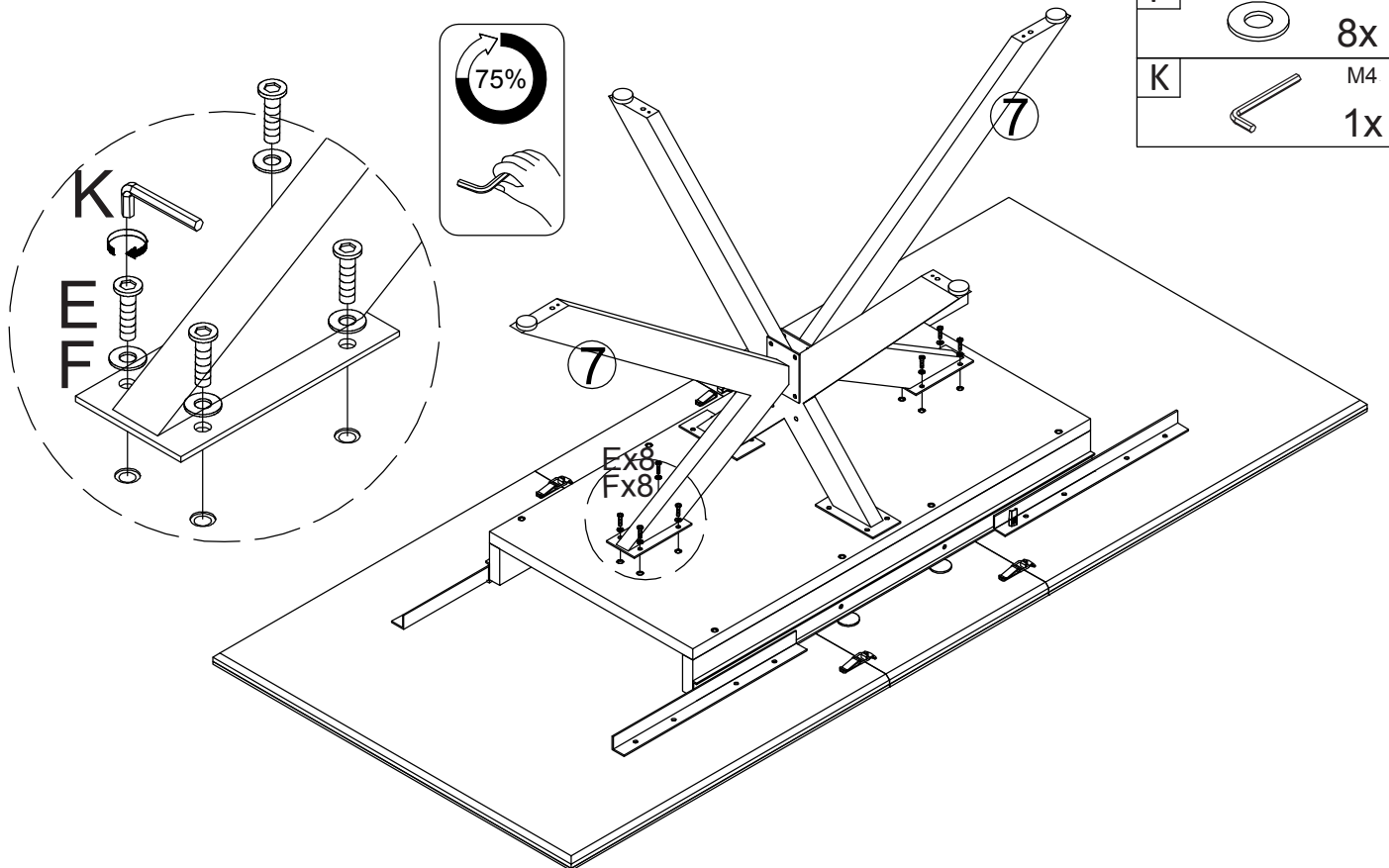
5.

E	M6x20mm		8x
F	ø16xø6x1.5mm		8x
K	M4		1x






6.

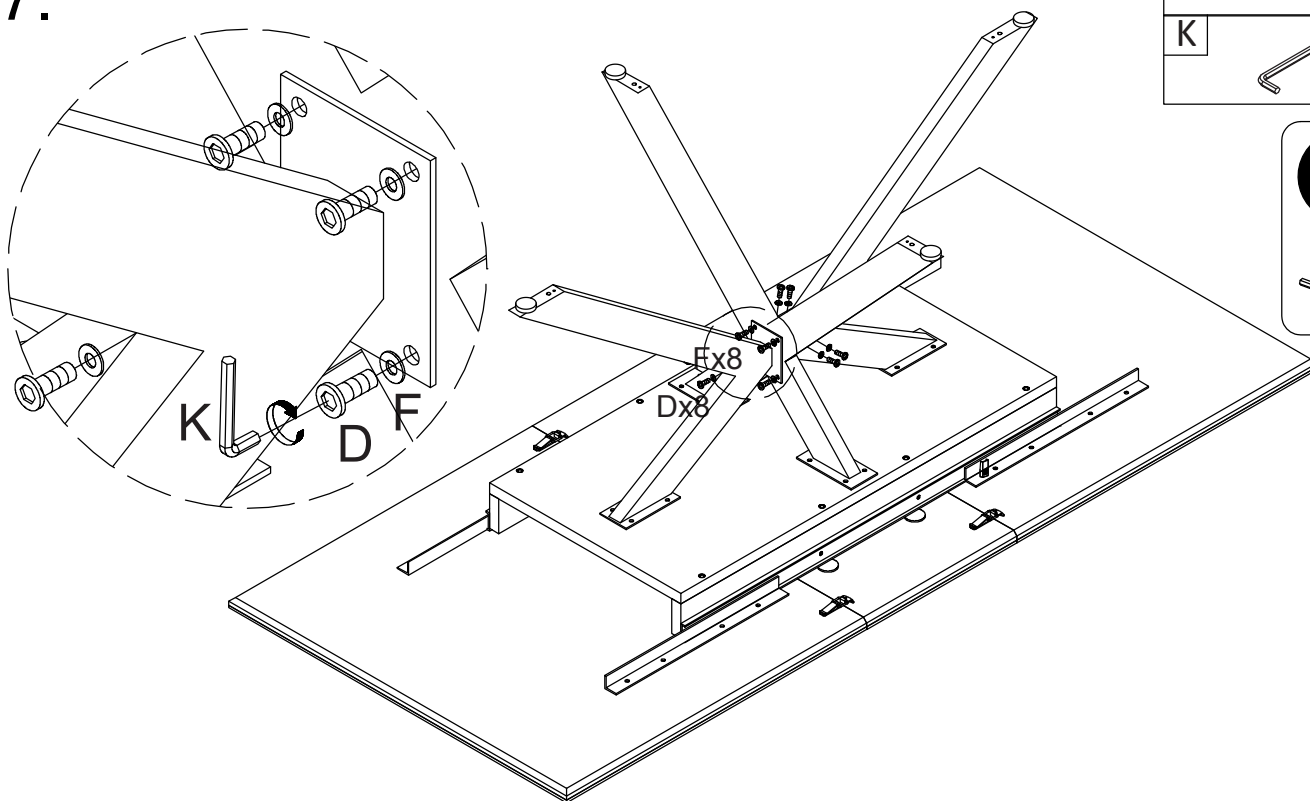
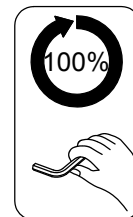
E	M6x20mm		8x
F	ø16xø6x1.5mm		8x
K	M4		1x



IV.

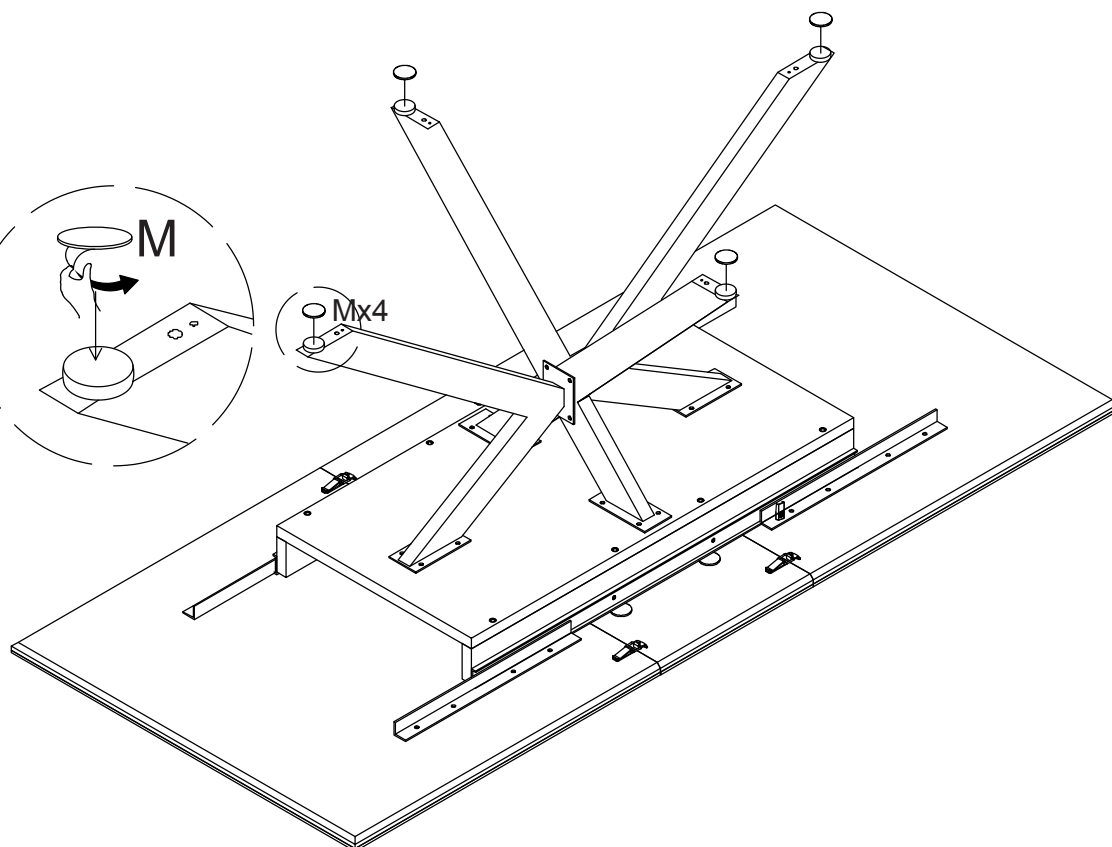
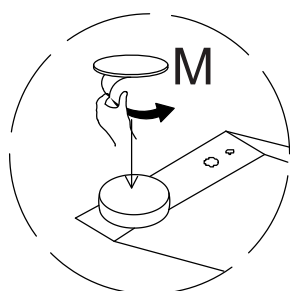
7.

D	M6x15mm		8x
F	ø16xø6x1.5mm		8x
K	M4		1x



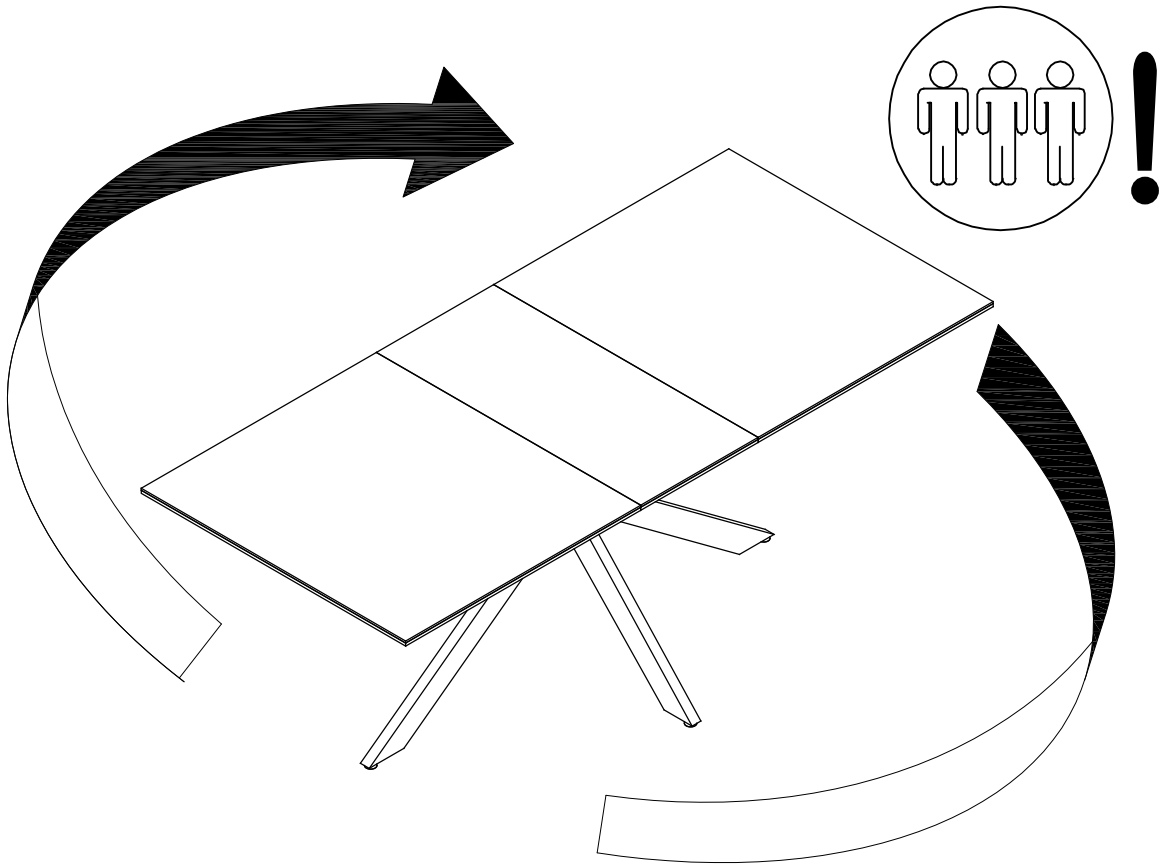
8.

M		4x
---	---	----

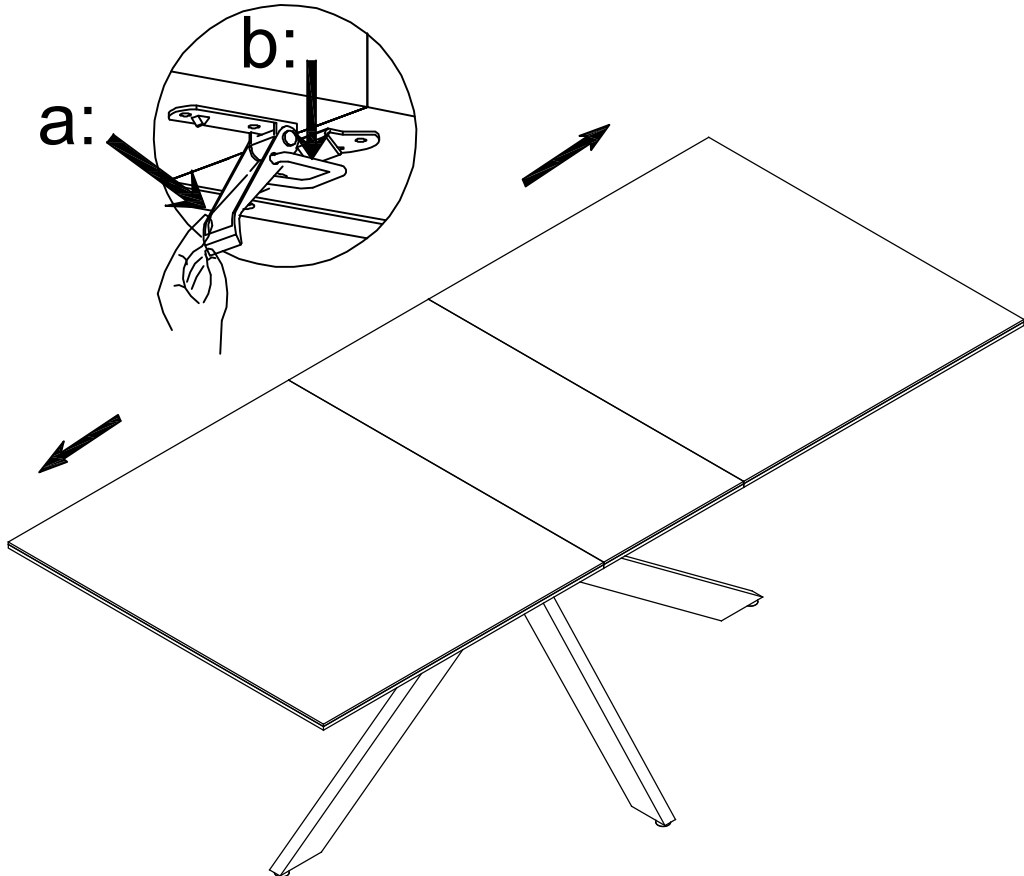


V.

9.

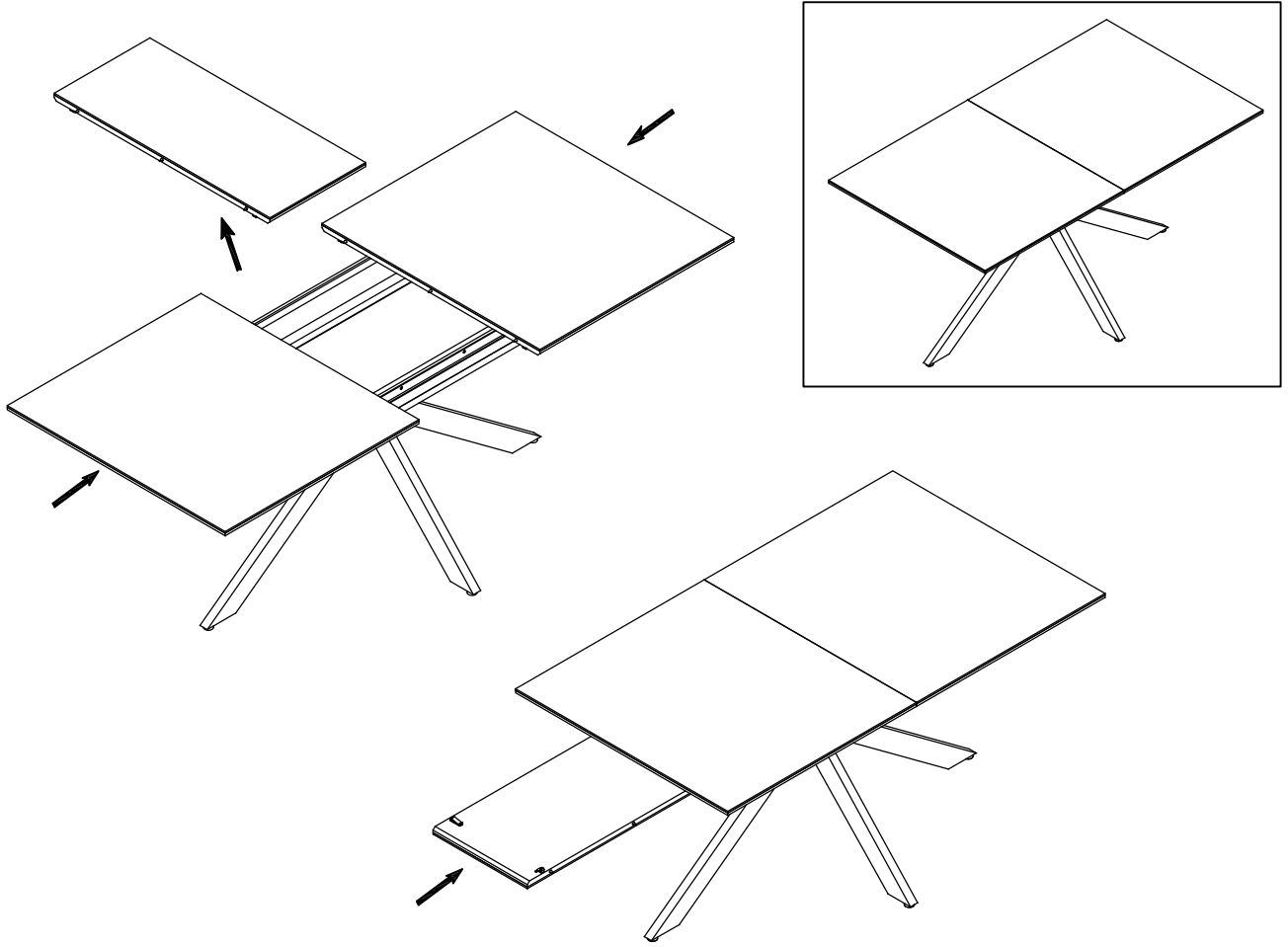


10.

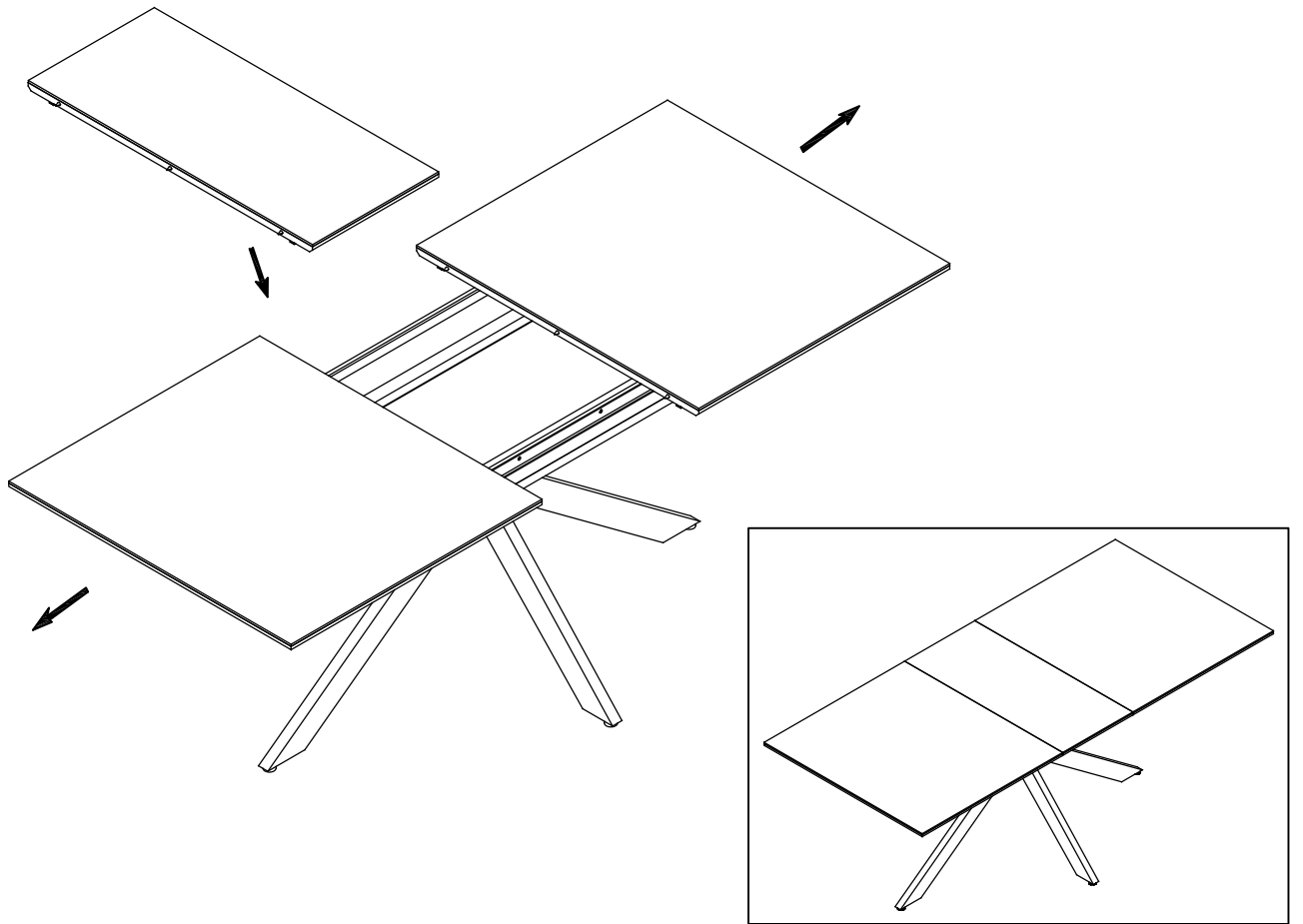


VI.

11.

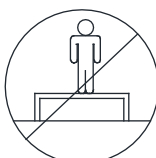
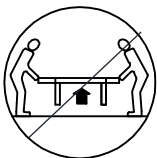
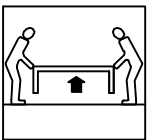
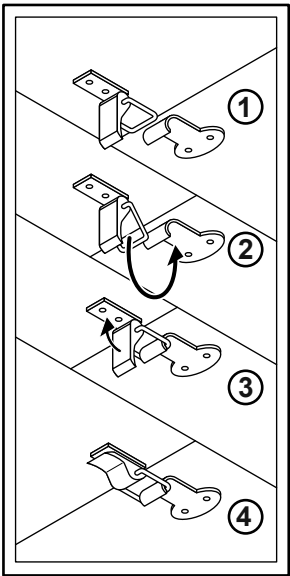
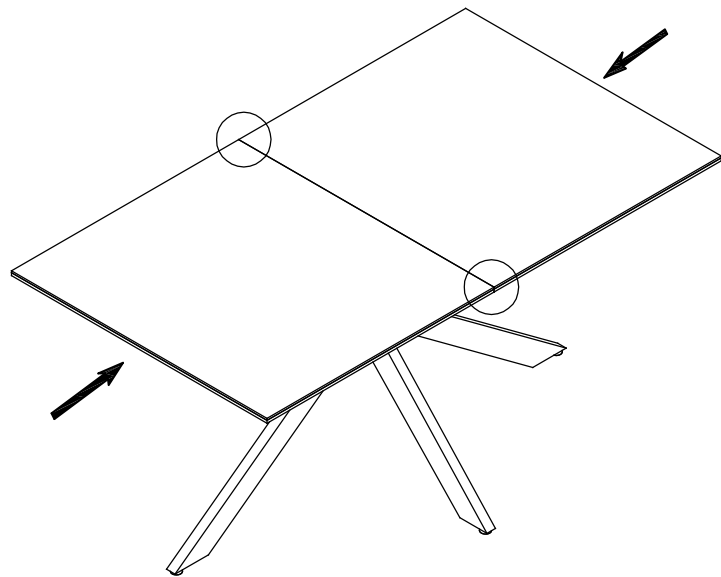
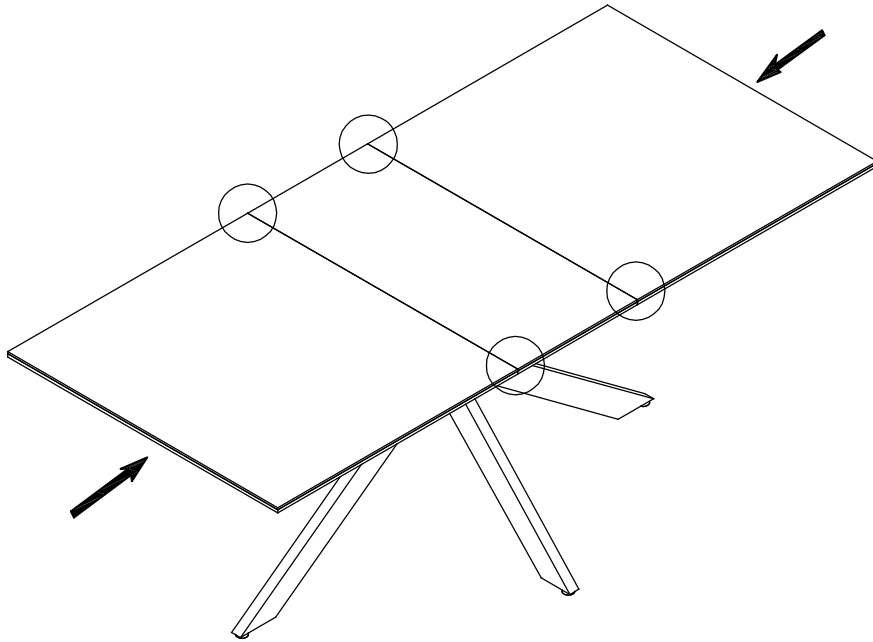


12.



VII.

13.



Séparez les éléments avant de trier