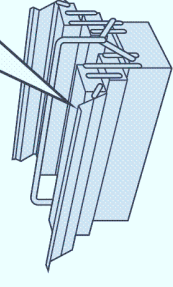
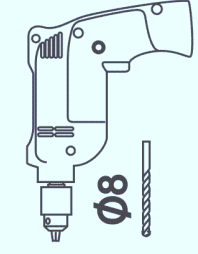
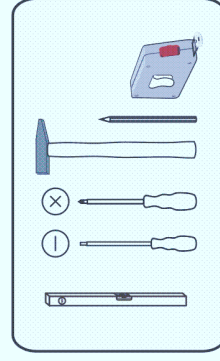
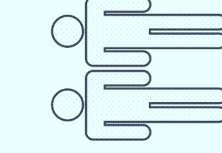
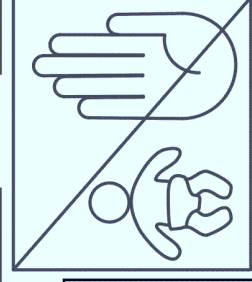
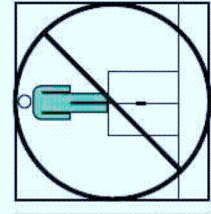
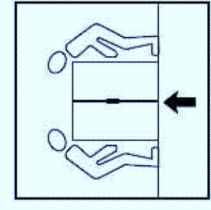
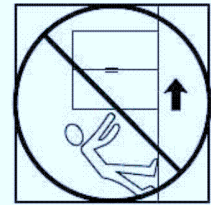
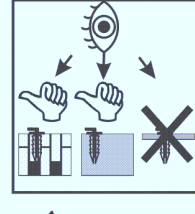
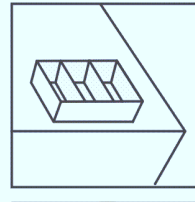
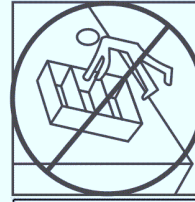
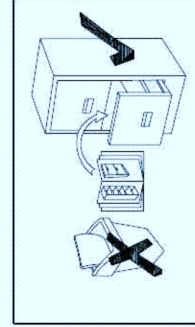
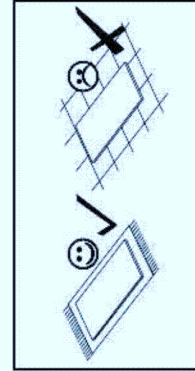
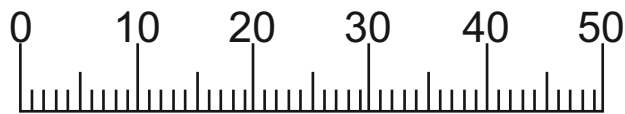
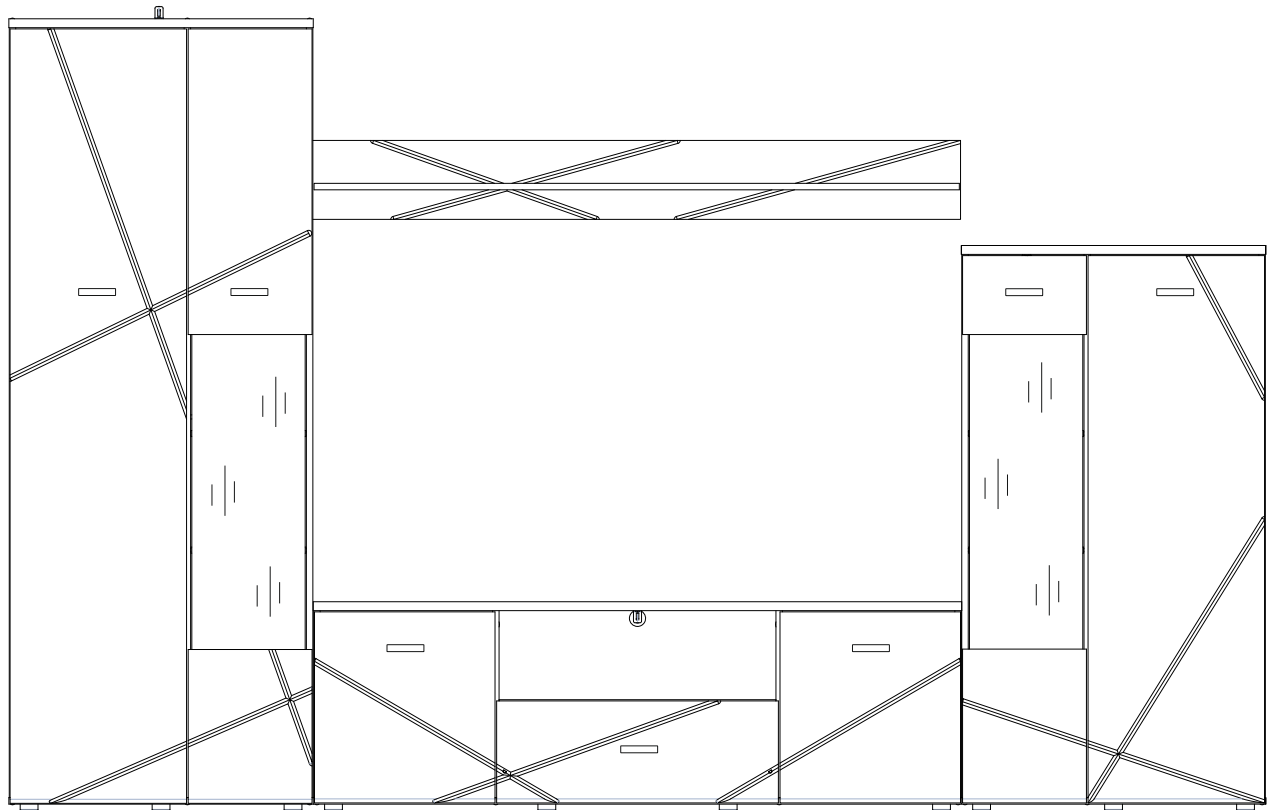
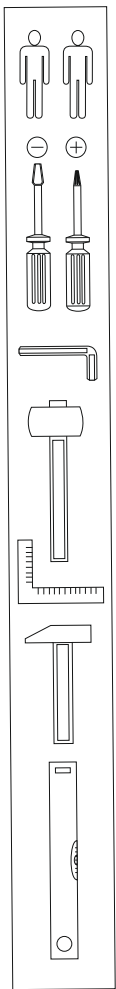
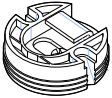
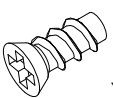
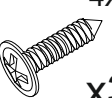
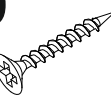
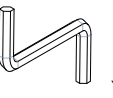
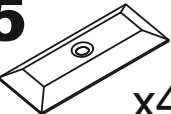
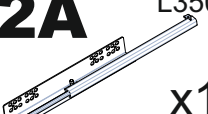
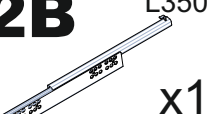

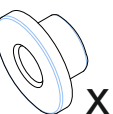
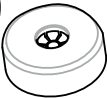
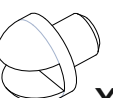
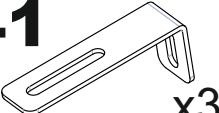
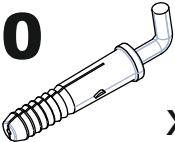

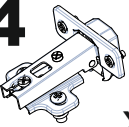
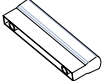
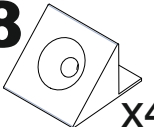
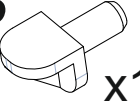
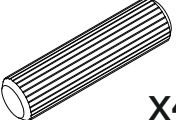
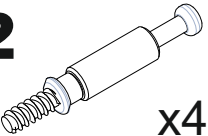
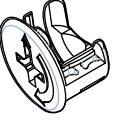
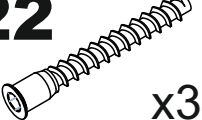


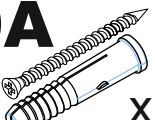
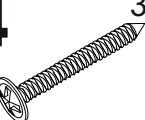


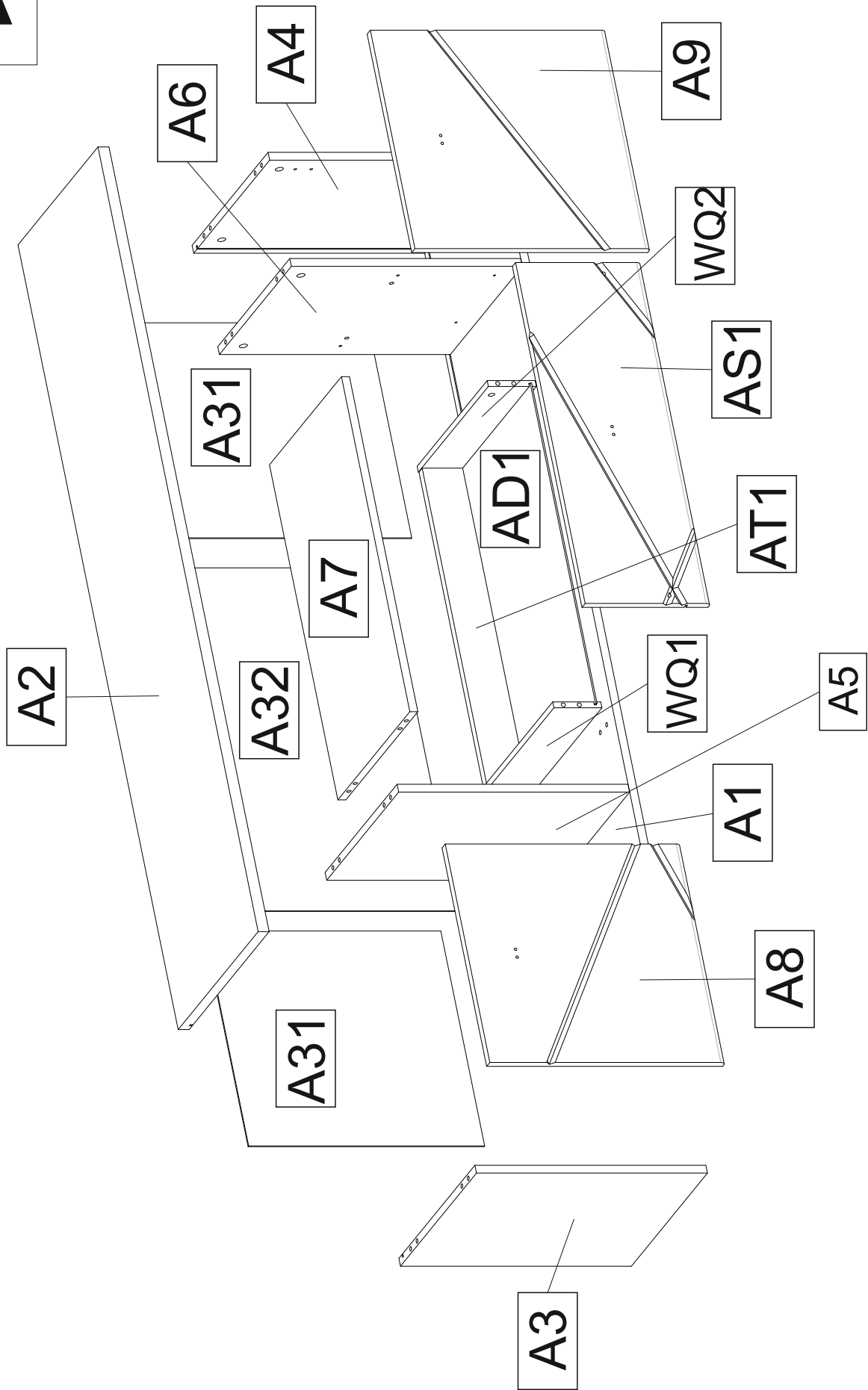
360 min

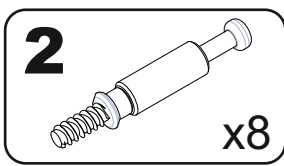
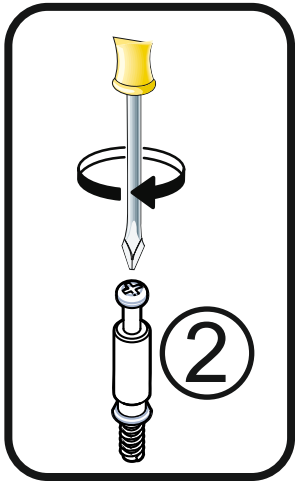
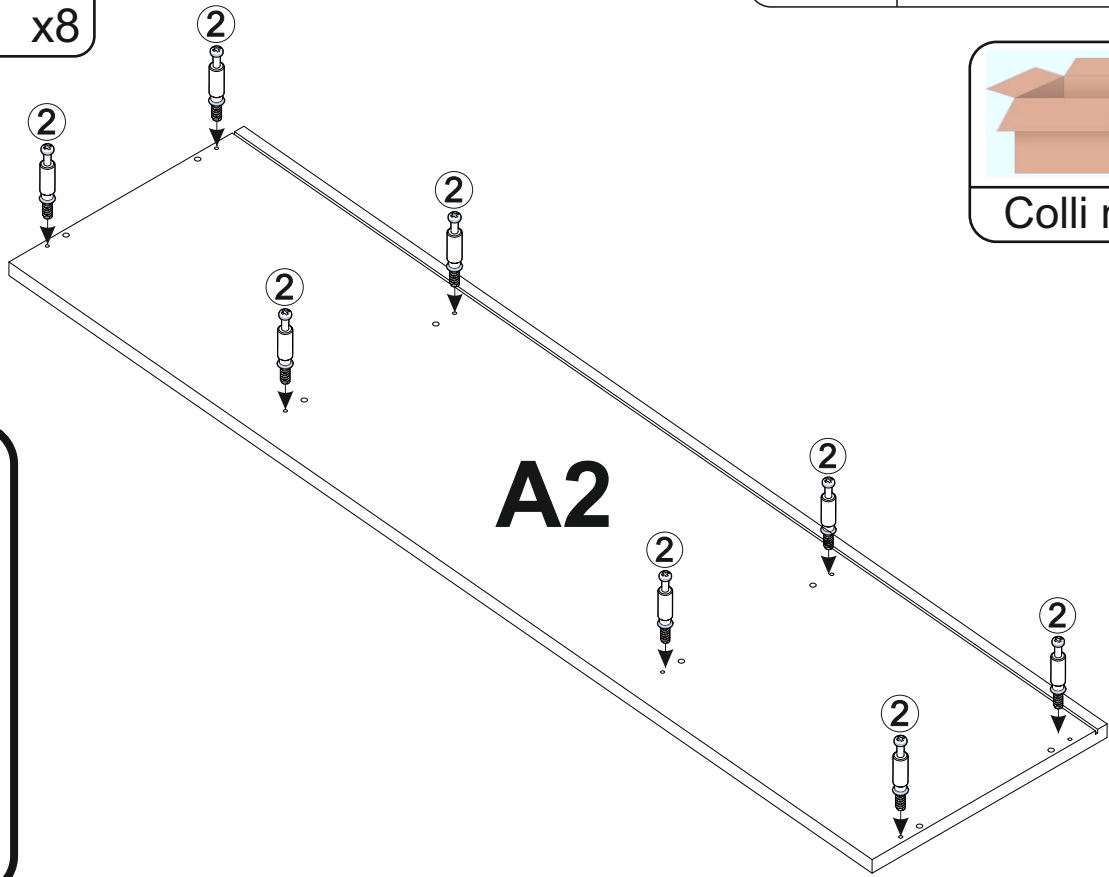
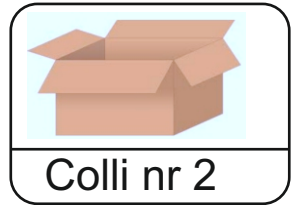
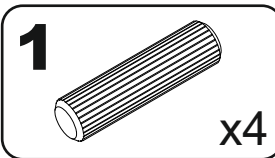
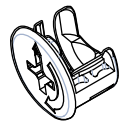




- | | | | | |
|--|---|--|---|---|
| 72

x3 | 6

5x11
x46 | 4A

4x16
x31 | 39

3x20
x93 | 26

x1 |
| 35

x40 | 92A

L350
x1 | 92B

L350
x1 | 24

ø12
x2 | 36

x12 |
| 10

x16 | 14

x16 | 41

x3 | 80

x6 | 30
LED
x1 |
| 22A

x34 | 54

ø35
x18 | 3

x7 | 38

x47 | 13

x16 |
| 1

x48 | 2

x48 | 9

ø15
x46 | 22

x34 | 9A

x46 |
| 93

4x12
x2 | 80A

x1 | 4

3.5x30
x14 | | |

A

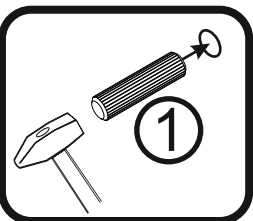
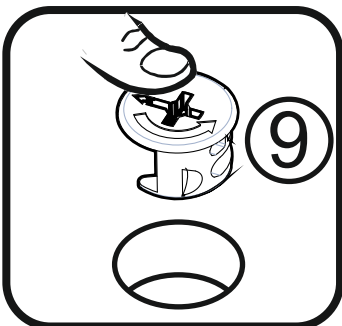
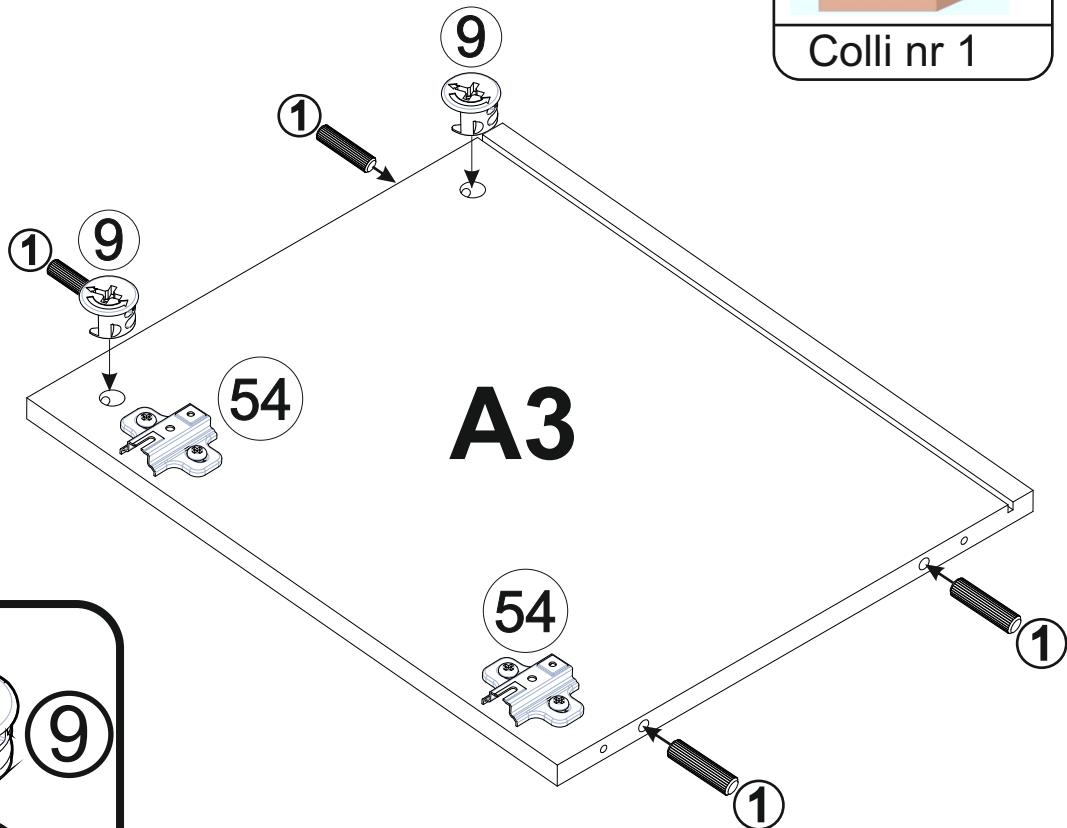
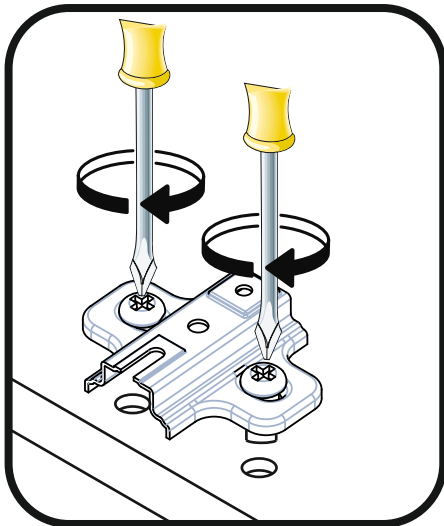
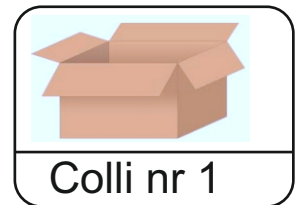


1**2****A2****1602x400****2****1****9**

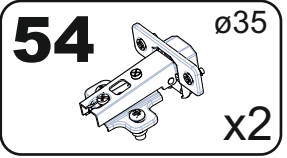
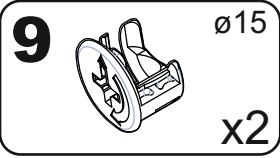
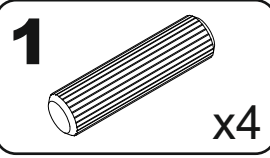
ø15

54

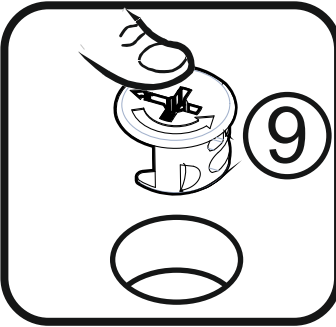
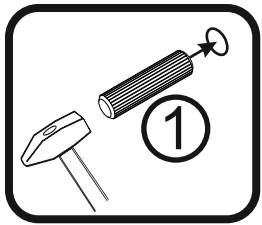
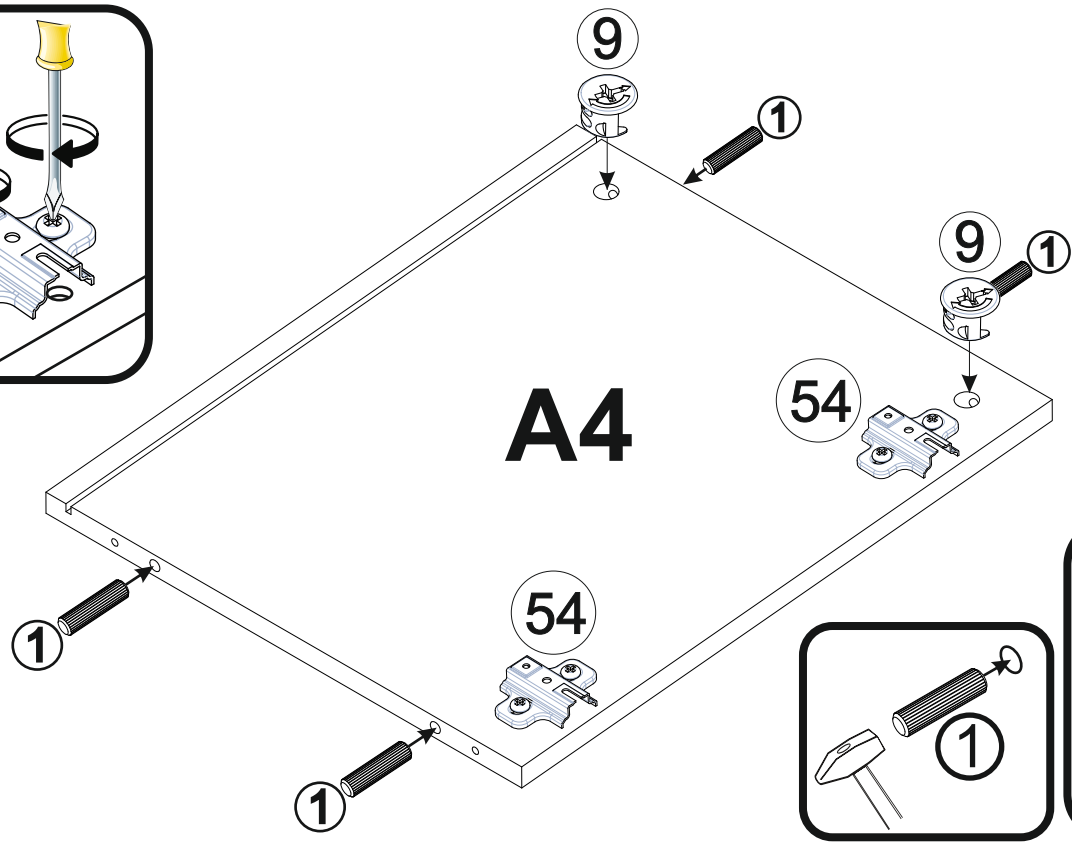
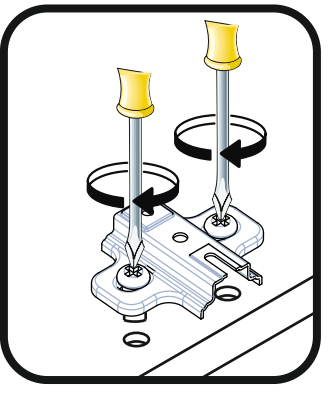
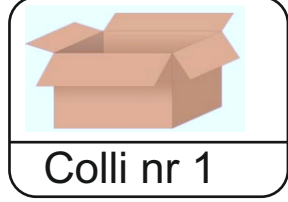
ø35

A3**462x380**

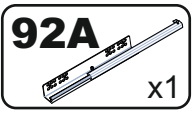
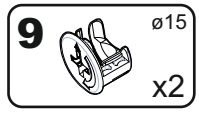
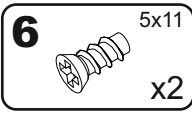
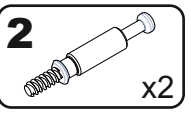
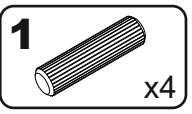
3



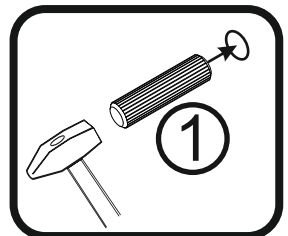
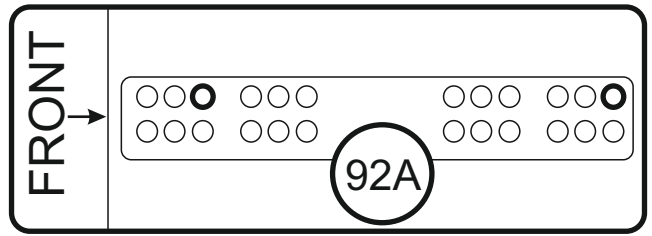
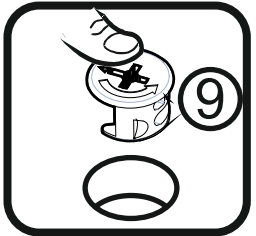
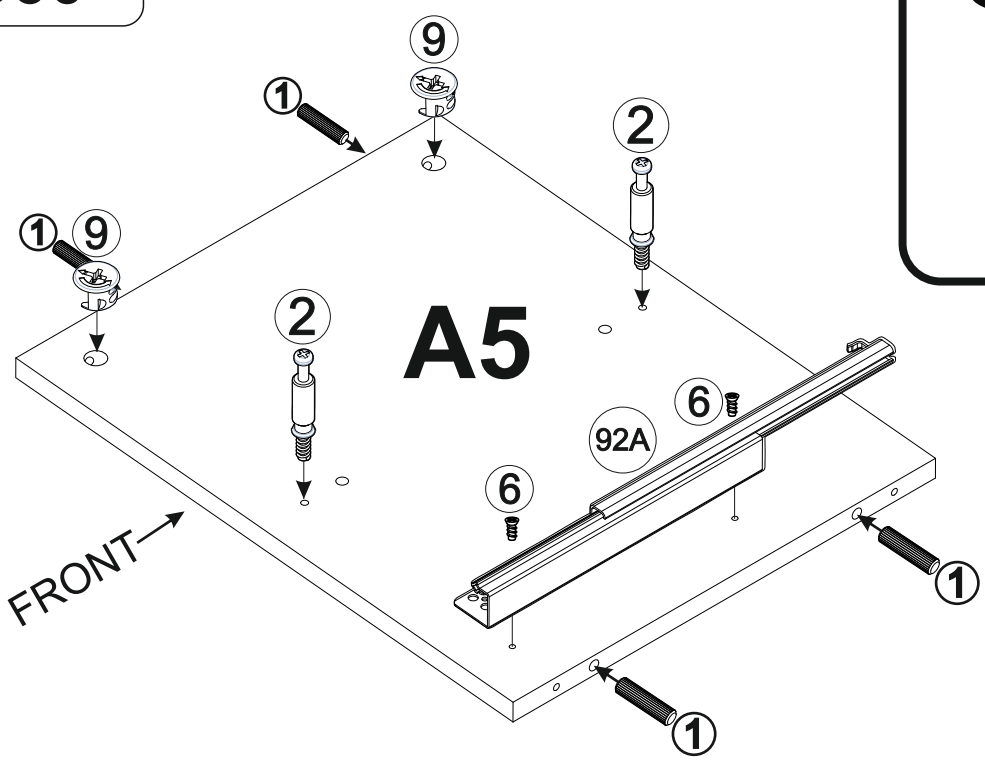
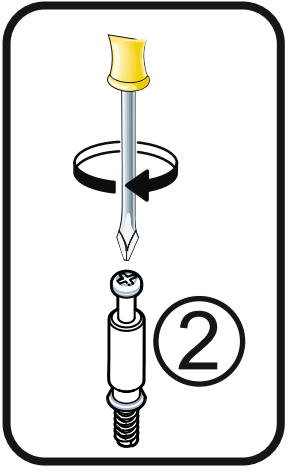
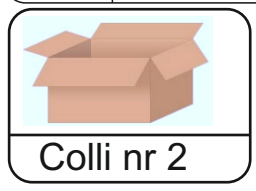
A4 462x380



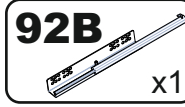
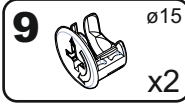
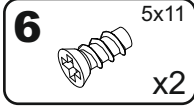
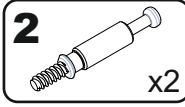
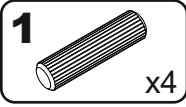
4



A5 462x360

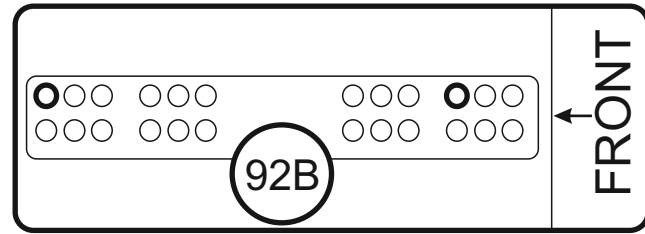
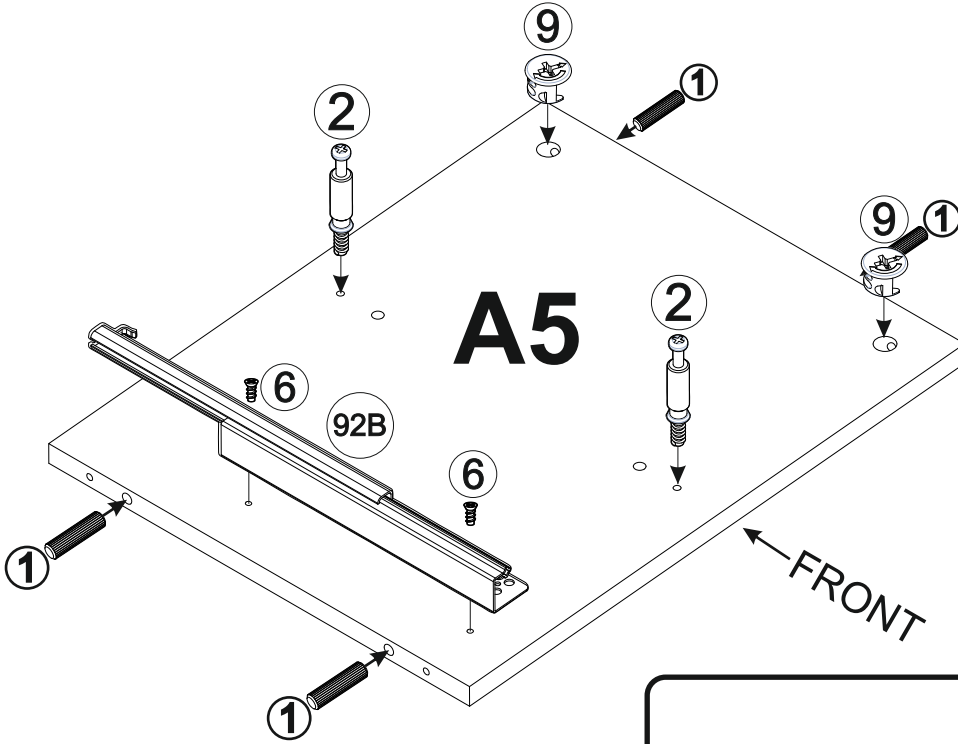
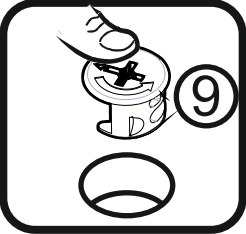
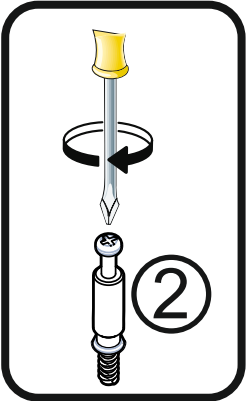
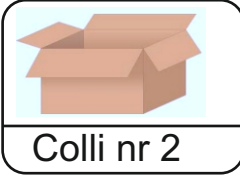


5

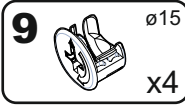
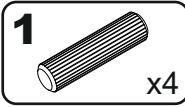


A6

462x360

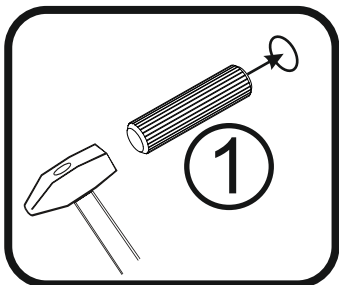
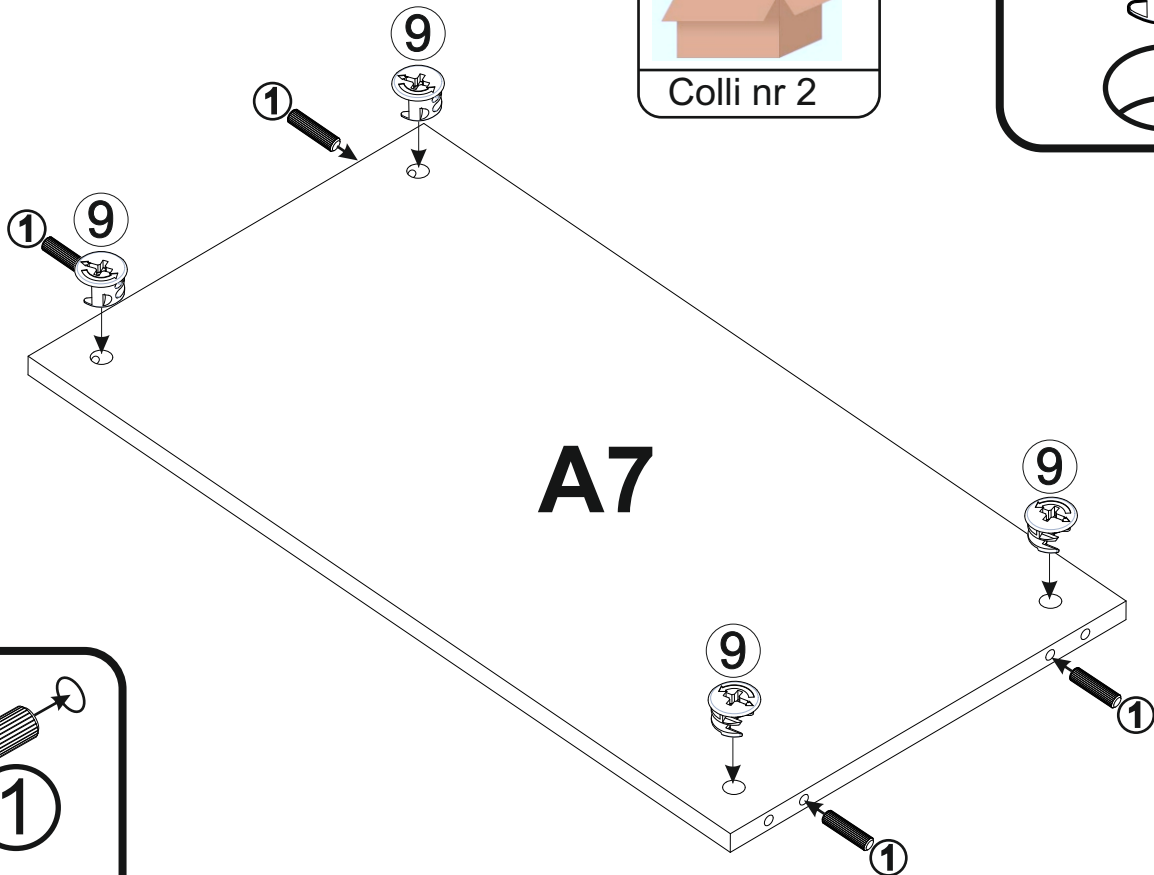
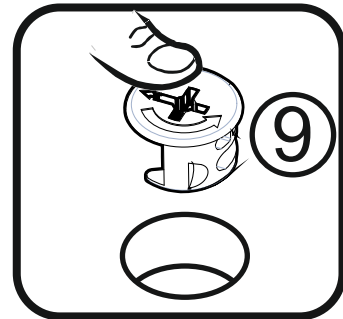
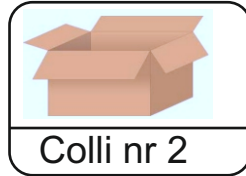


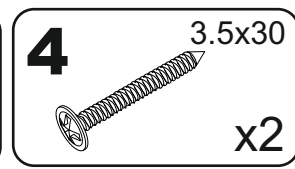
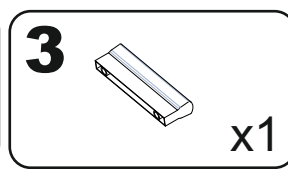
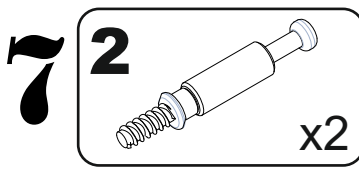
6



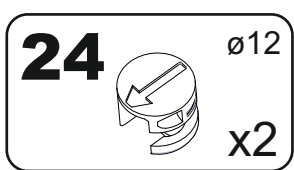
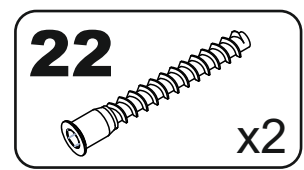
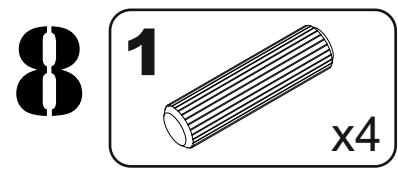
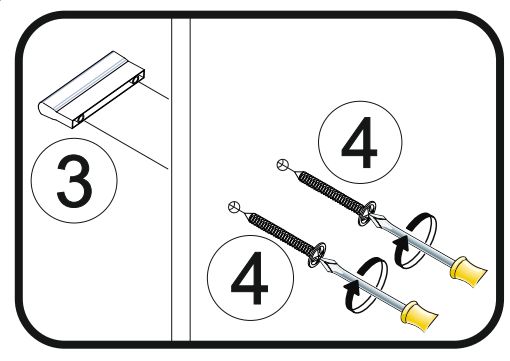
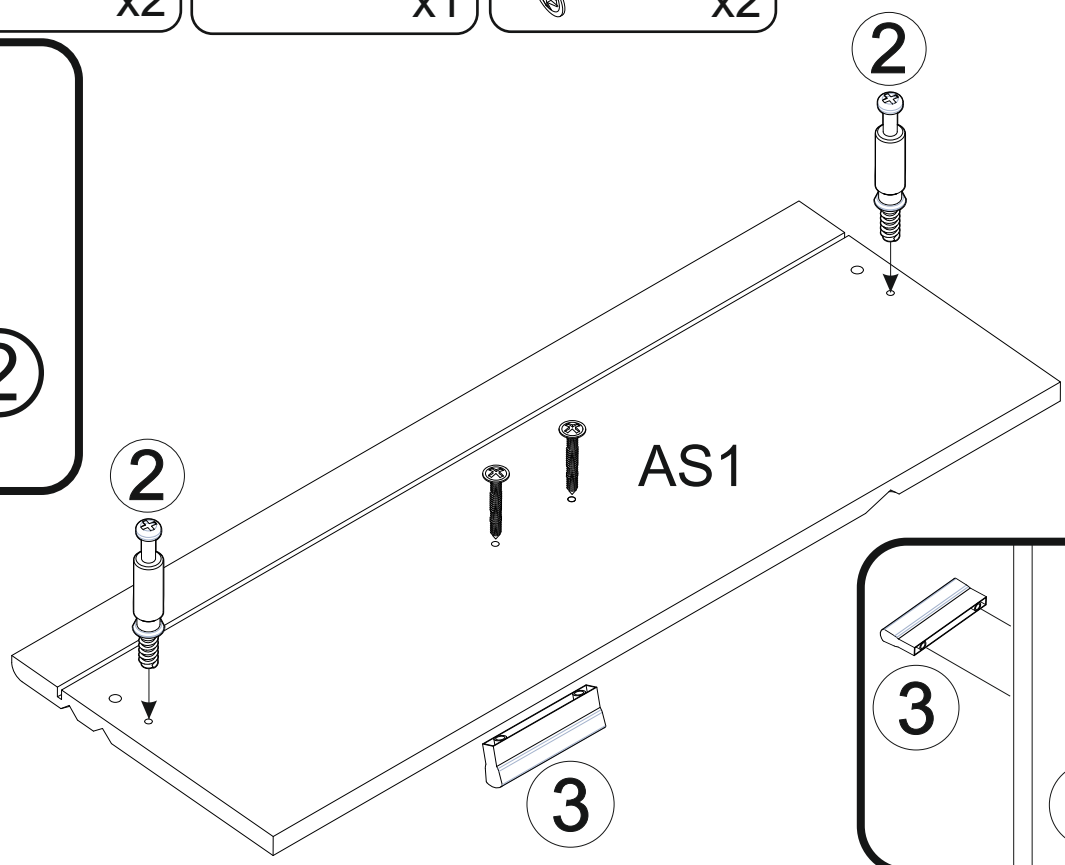
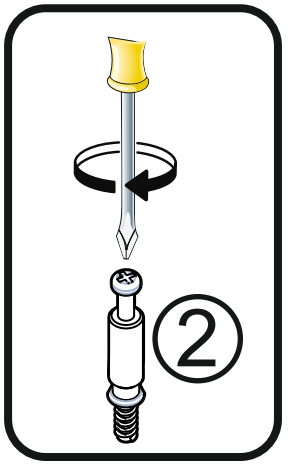
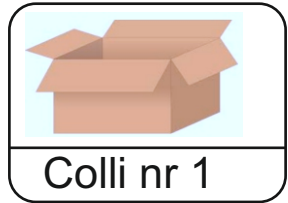
A7

684x360





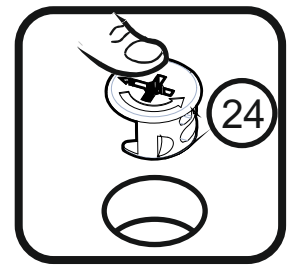
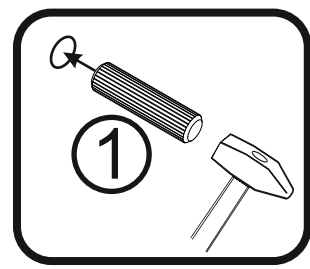
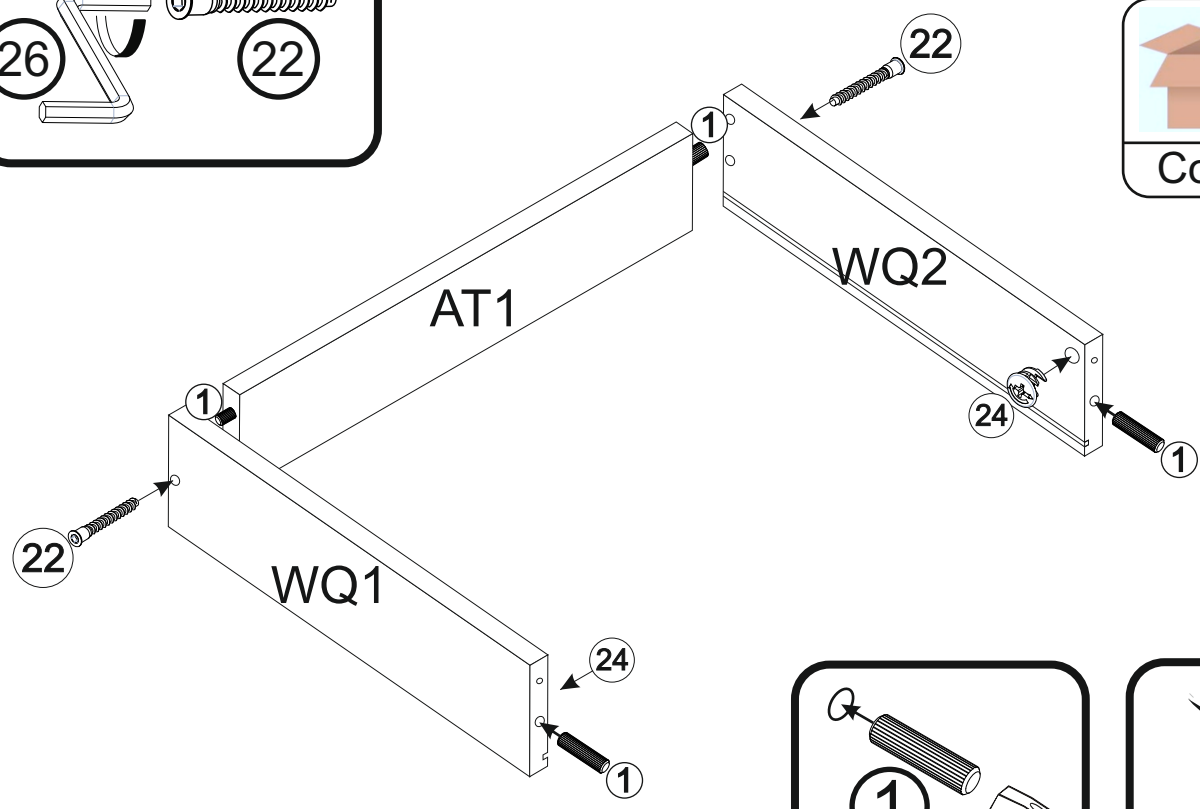
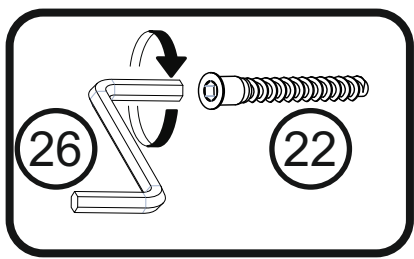
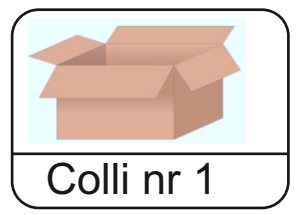
AS1 696x252



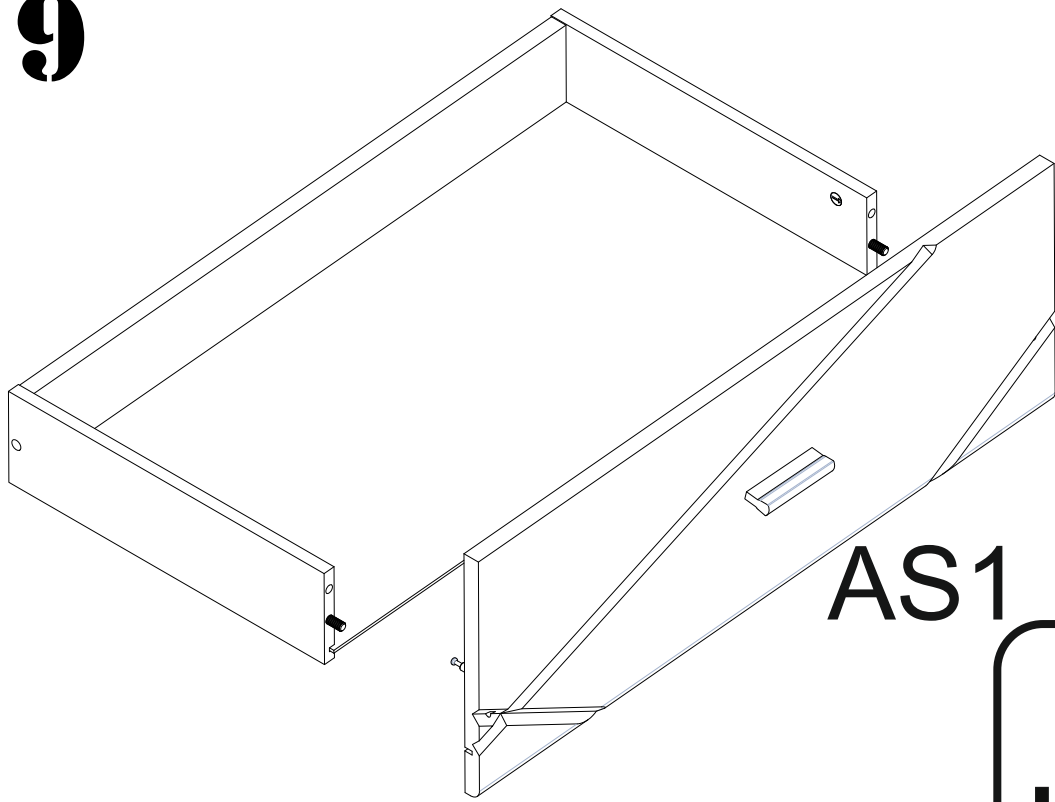
AT1 644x82

WQ1 350x96

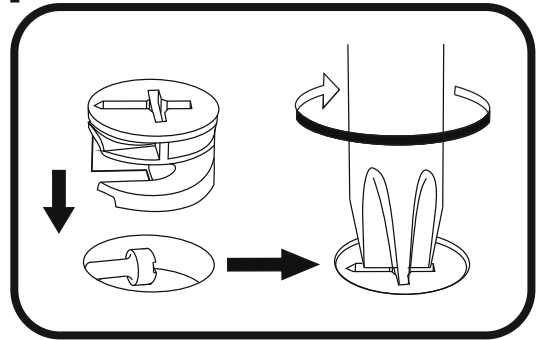
WQ2 350x96



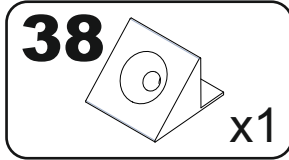
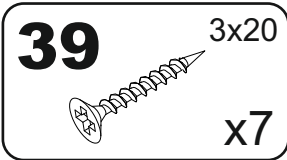
9



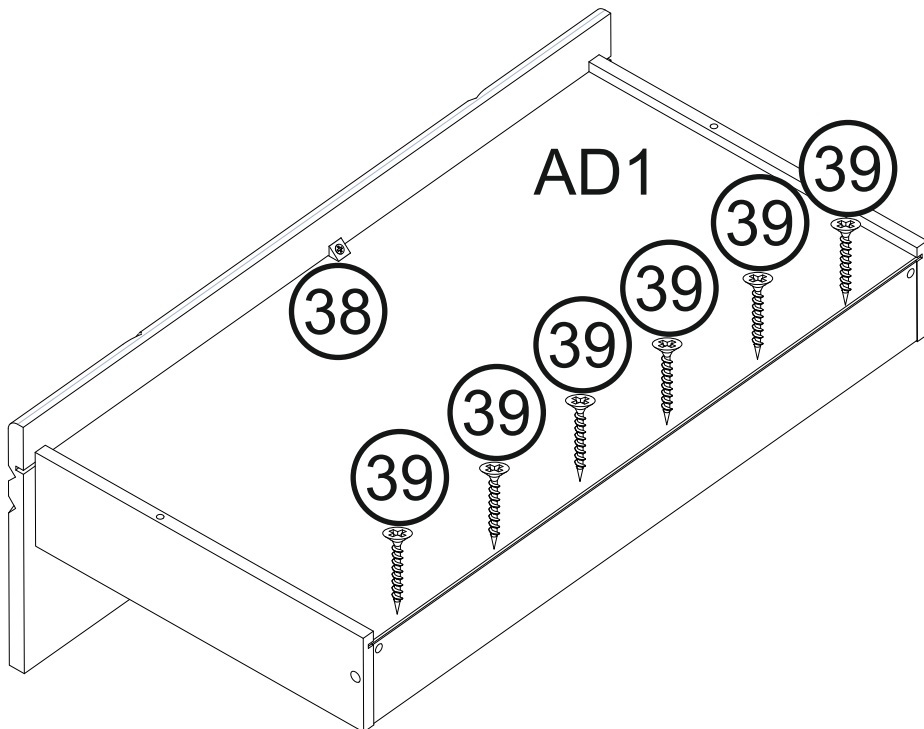
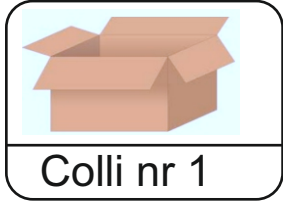
AS1



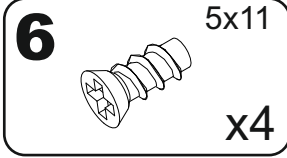
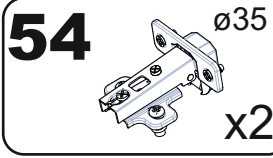
10



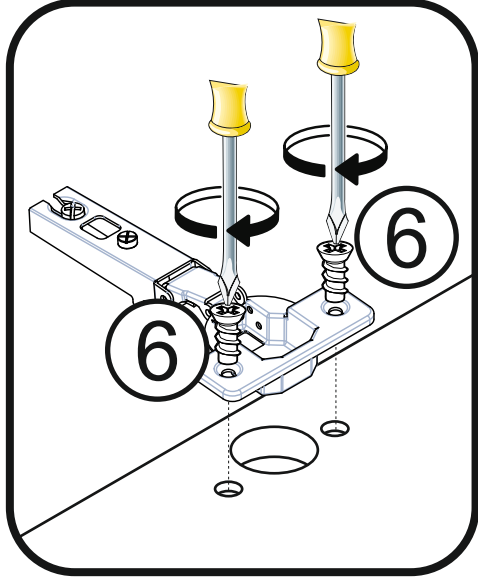
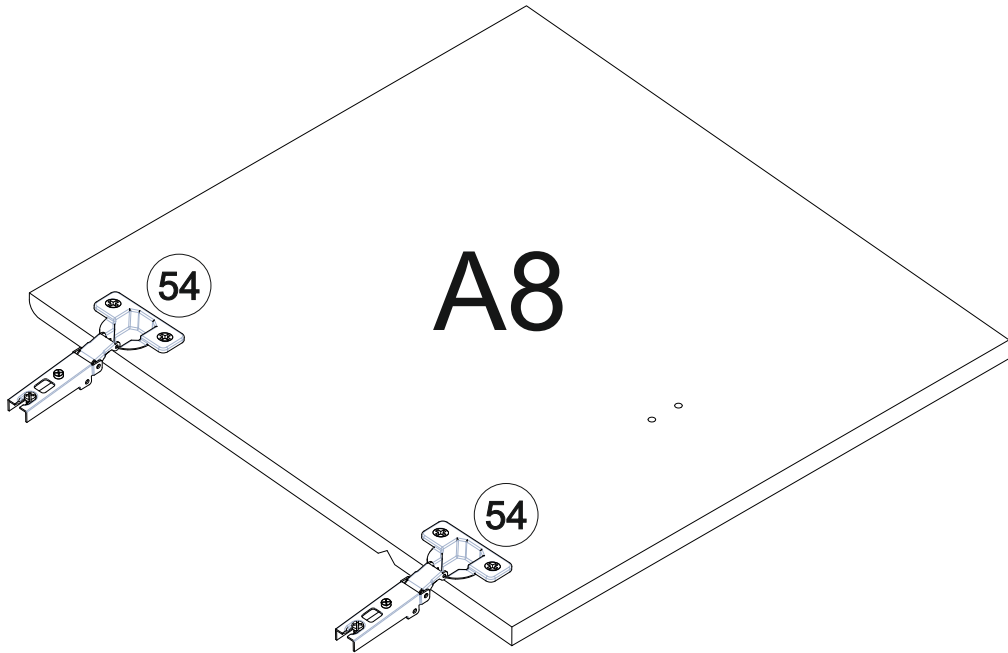
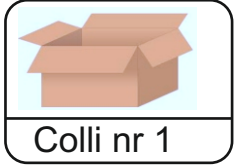
AD1 654x353



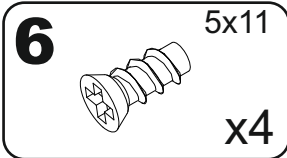
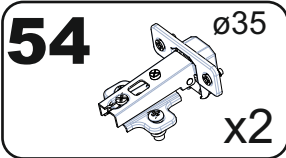
11



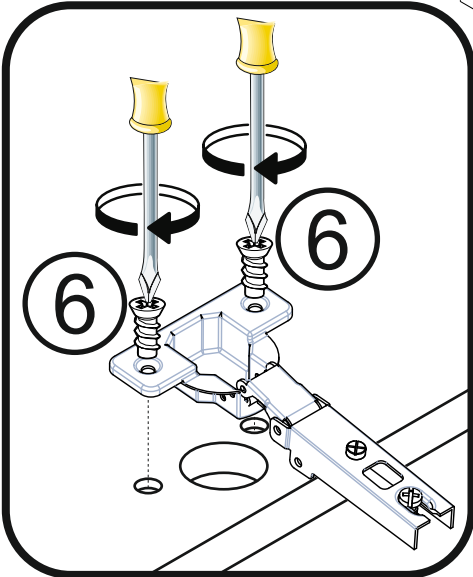
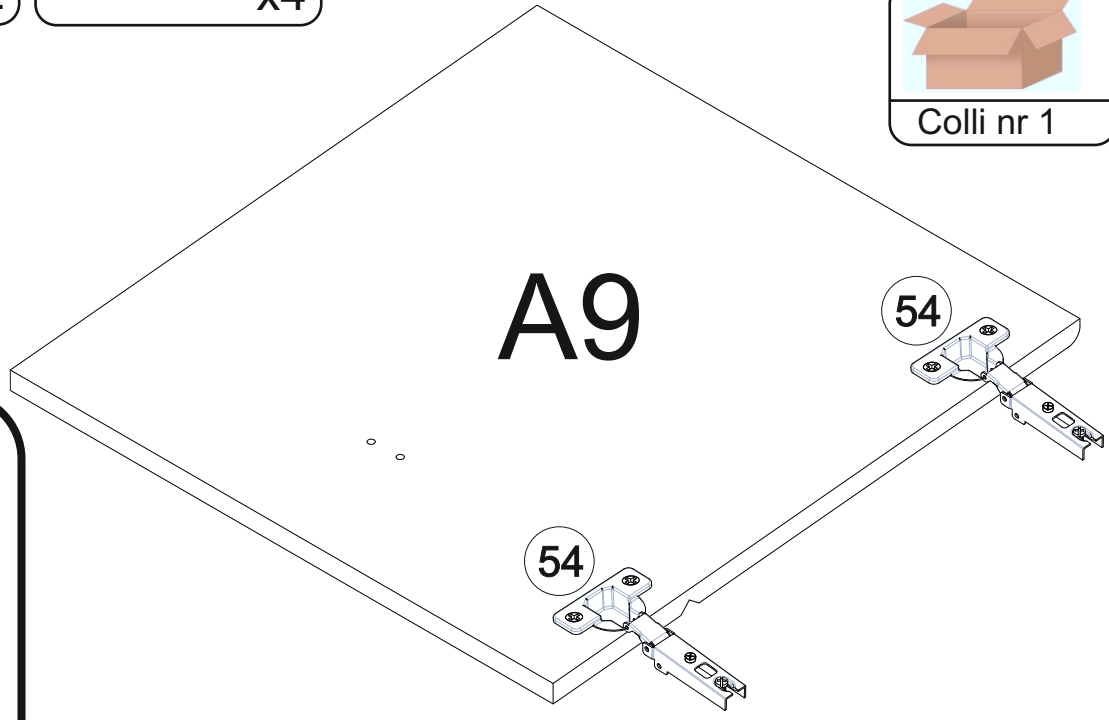
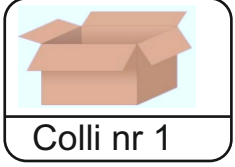
A8 446x472



12



A9 446x472

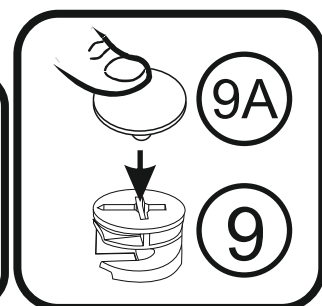
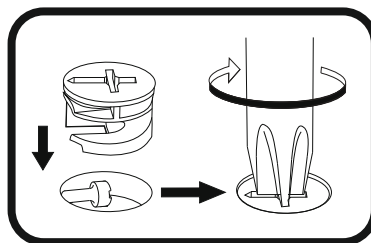
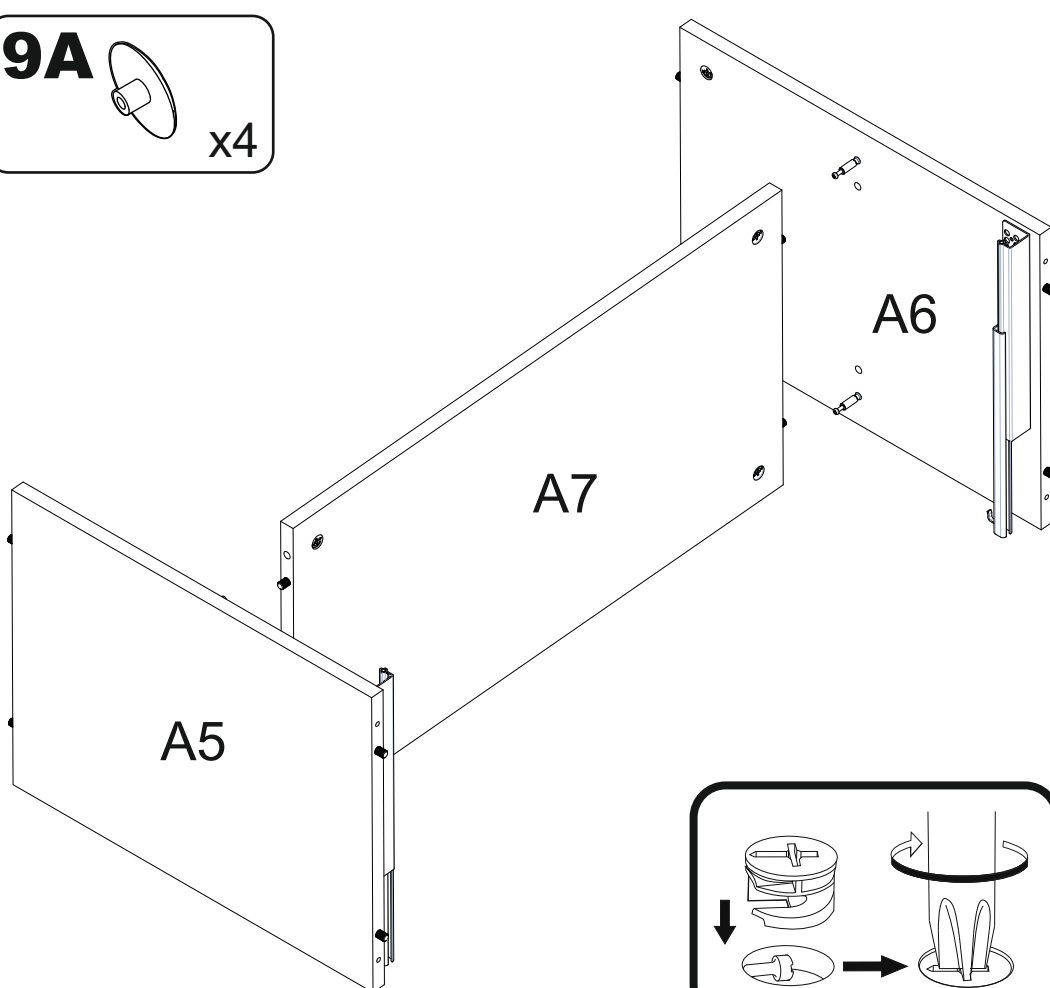


13

9A



x4



14

22



x8

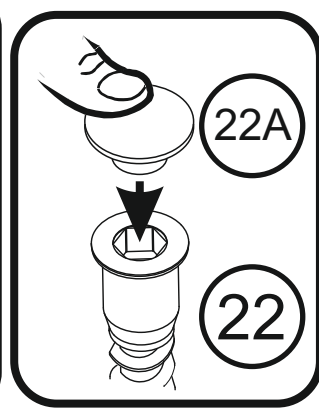
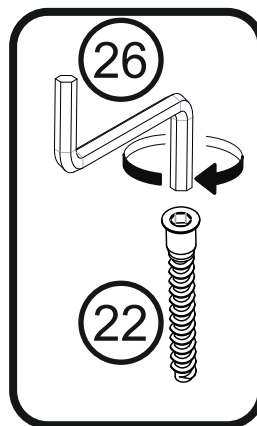
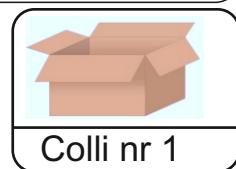
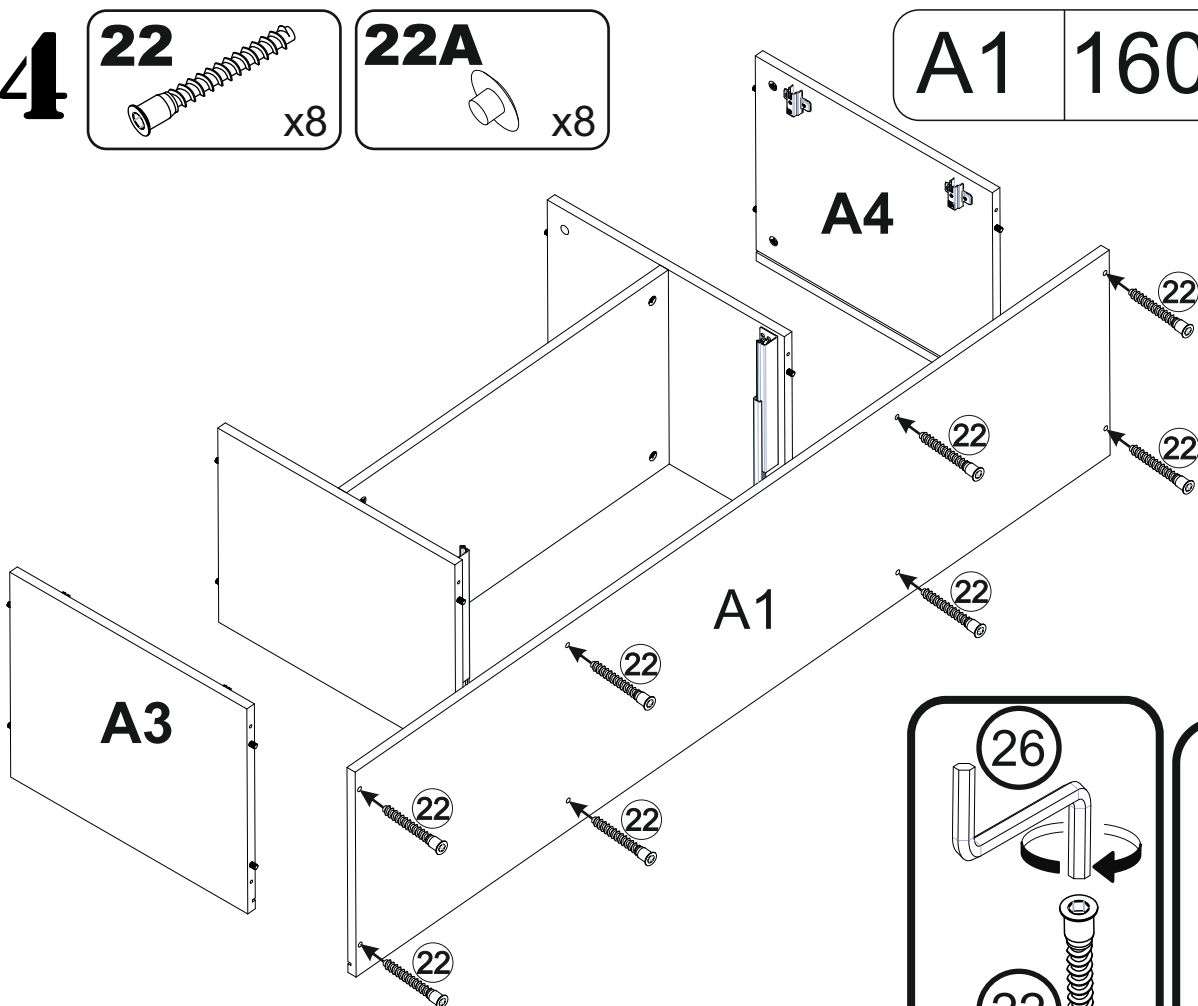
22A



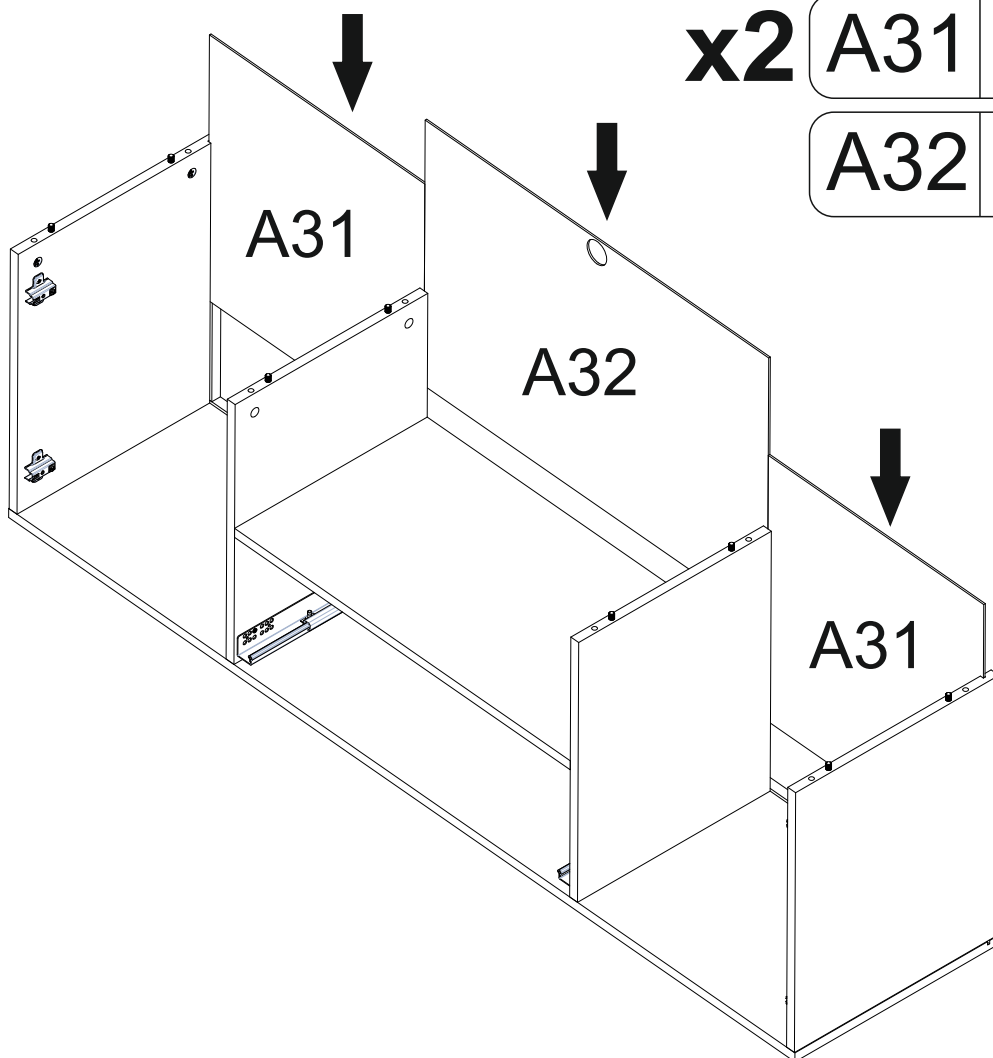
x8

A1

1602x380



15



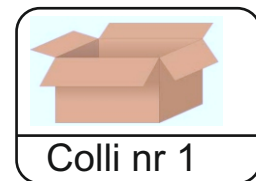
x2

A31

439x472

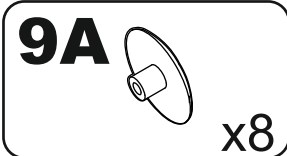
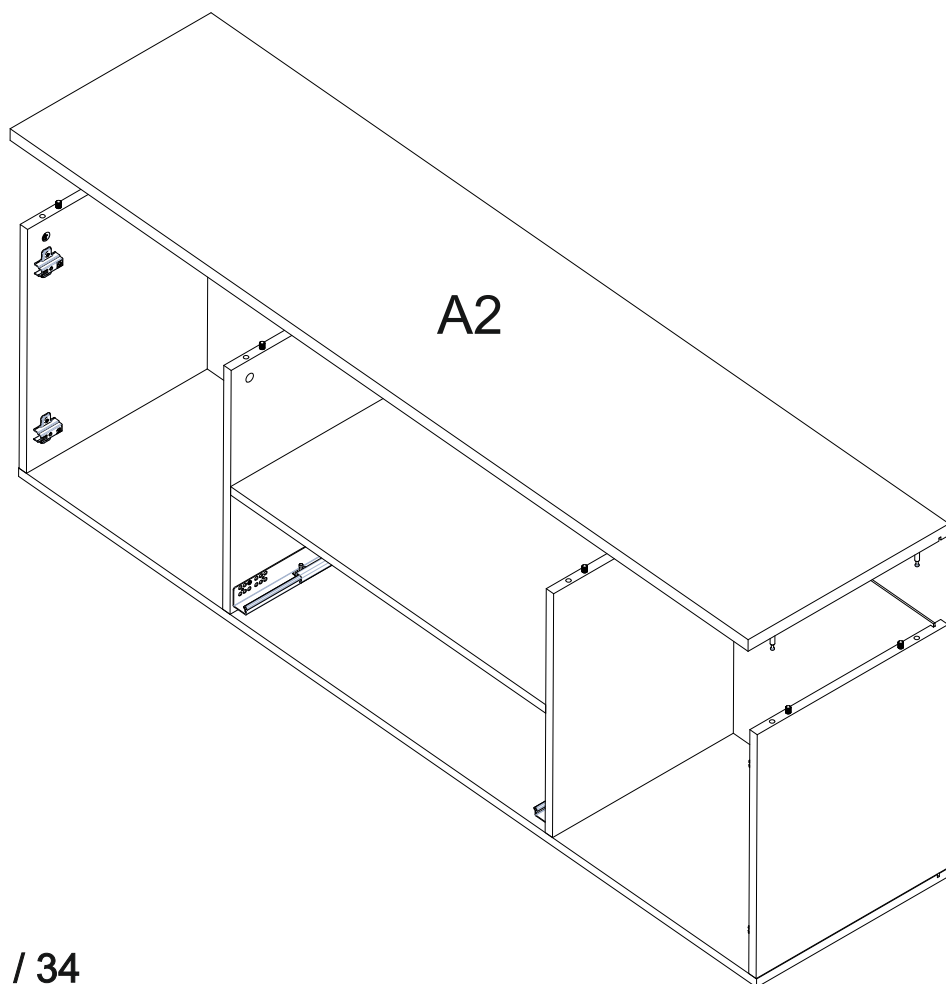
A32

700x472



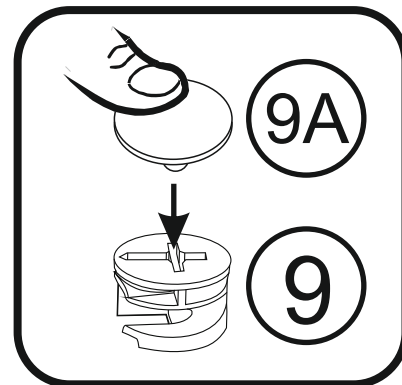
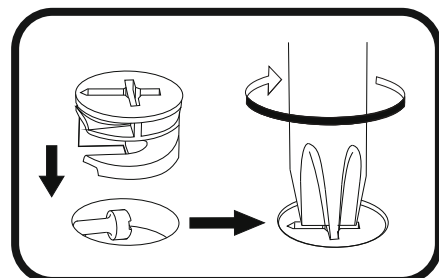
Colli nr 1

16

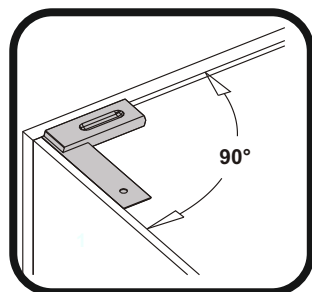
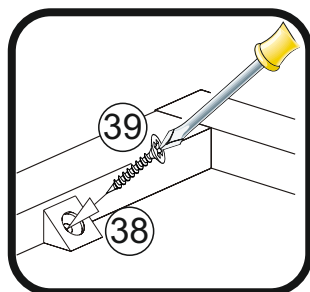
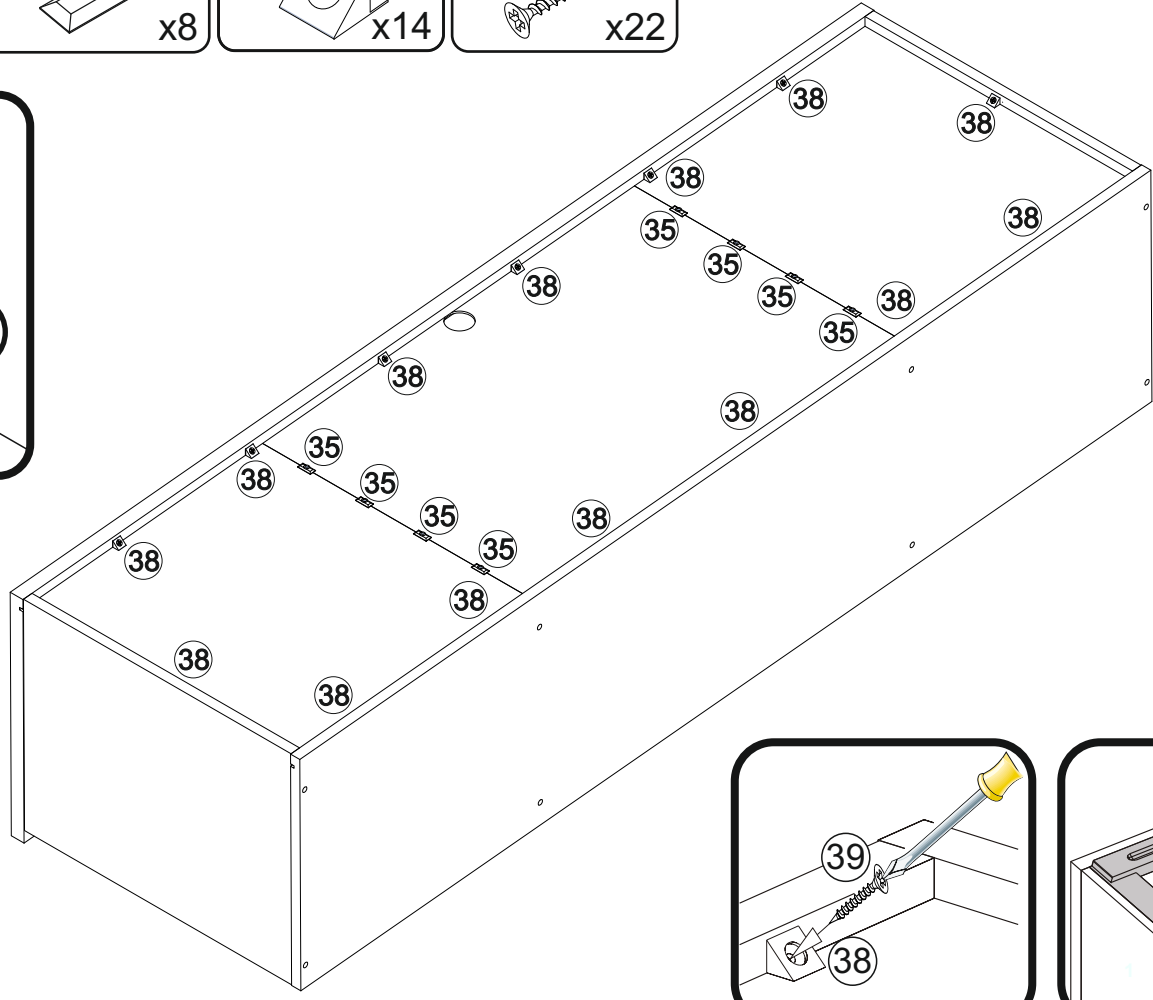
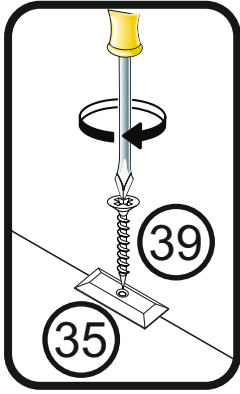
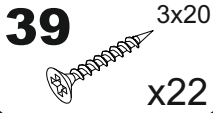
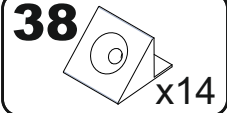


9A

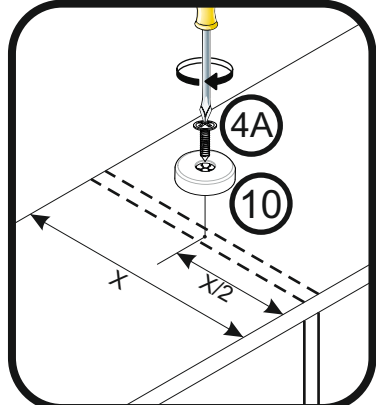
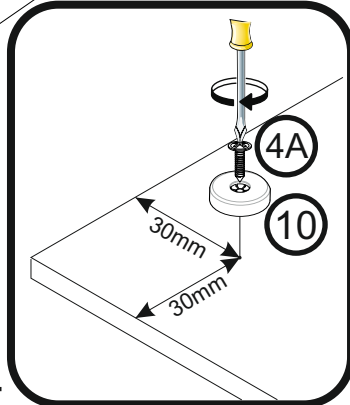
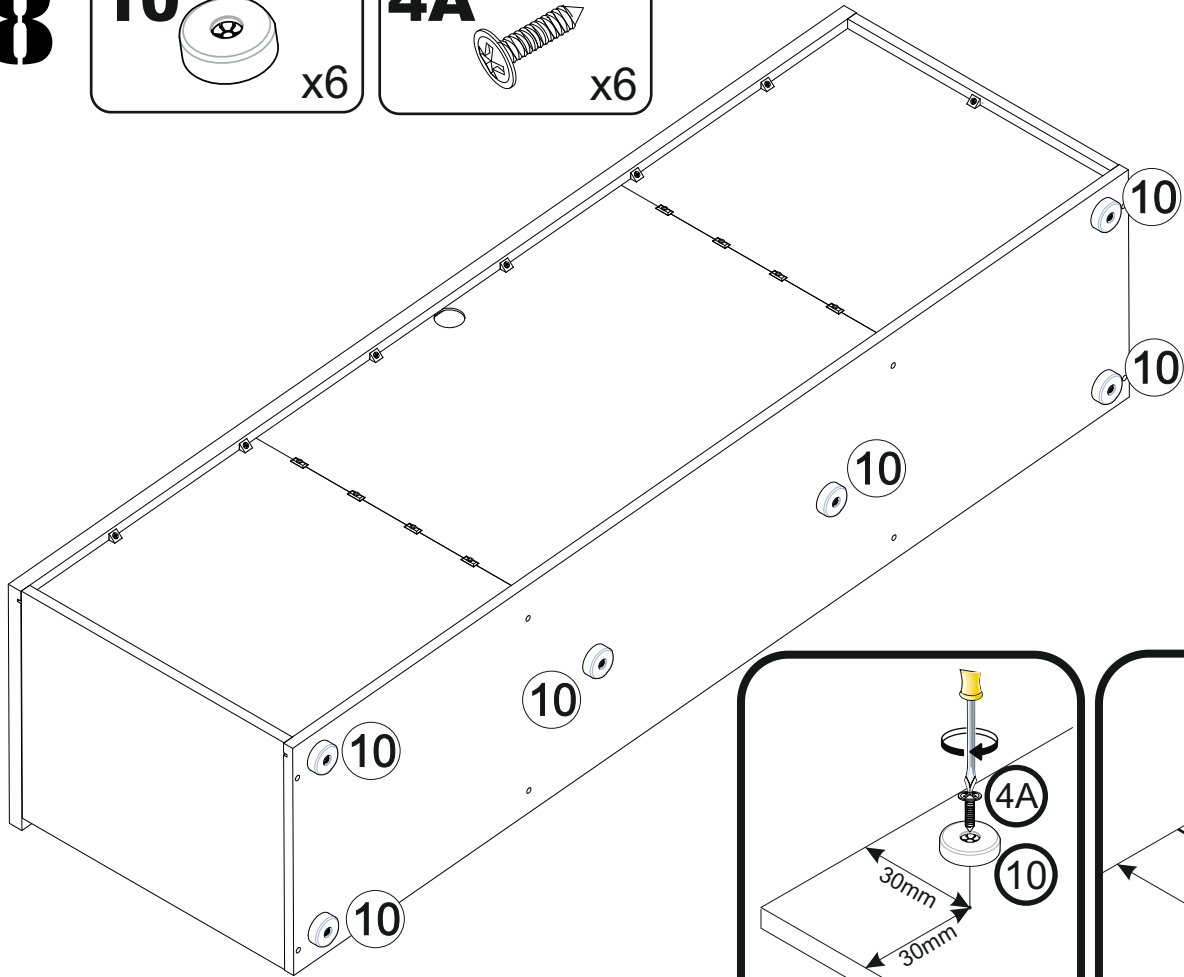
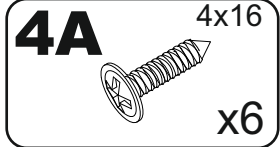
x8



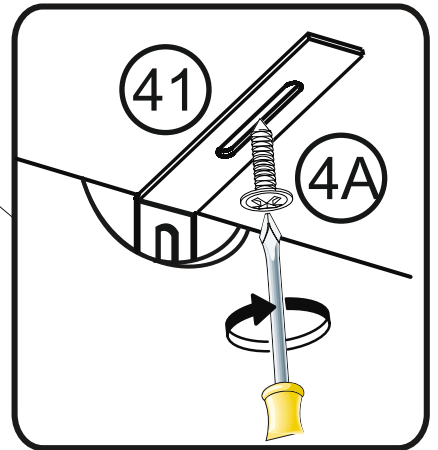
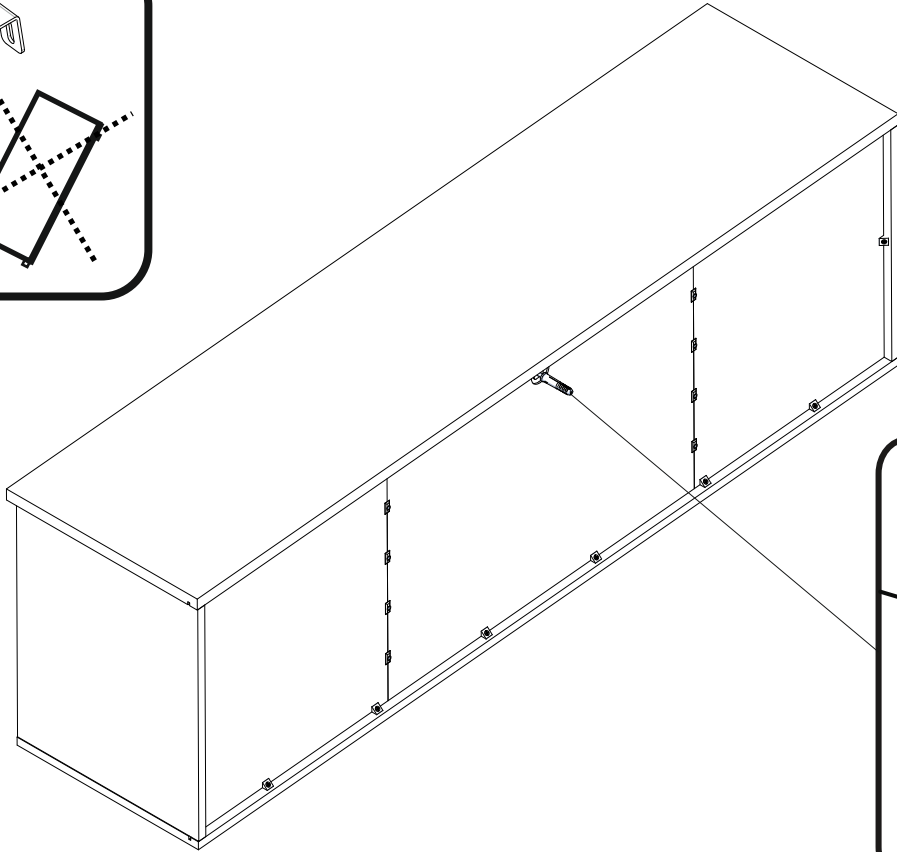
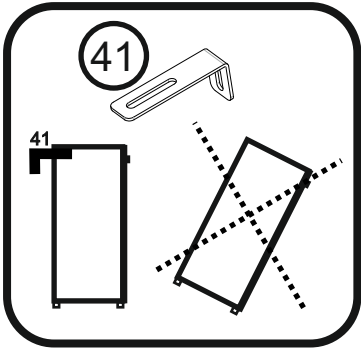
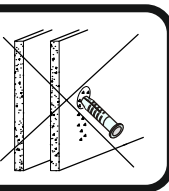
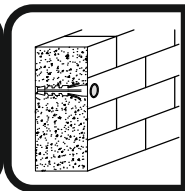
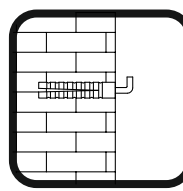
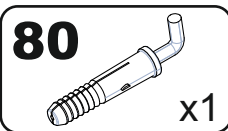
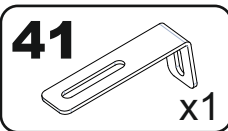
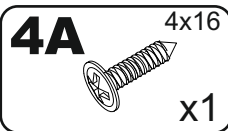
17



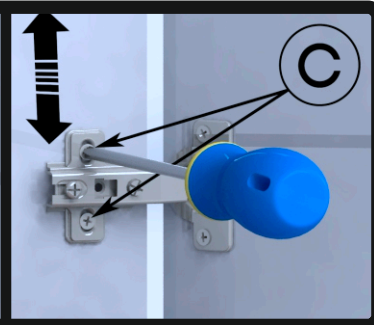
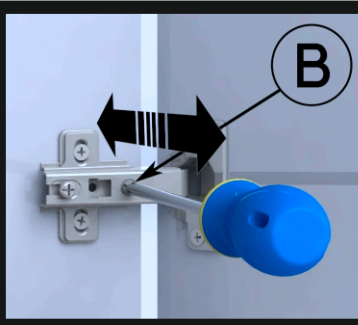
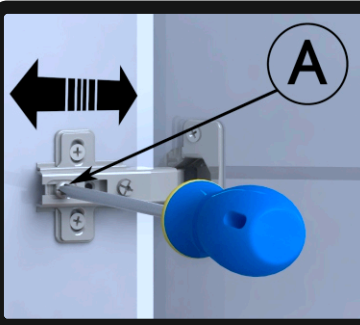
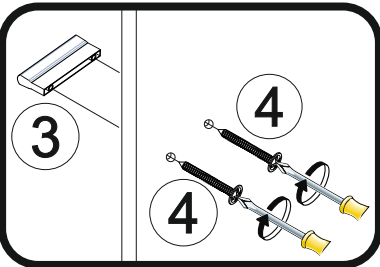
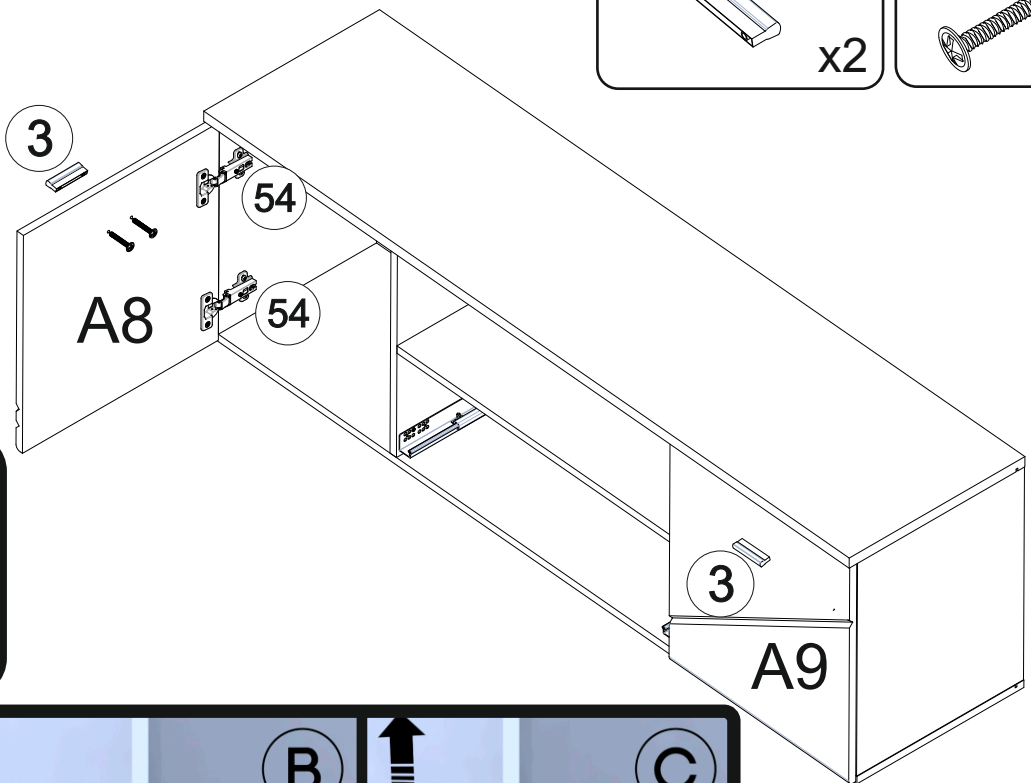
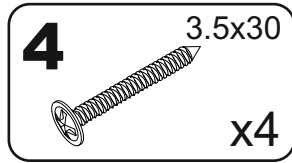
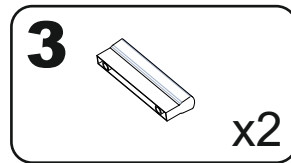
18



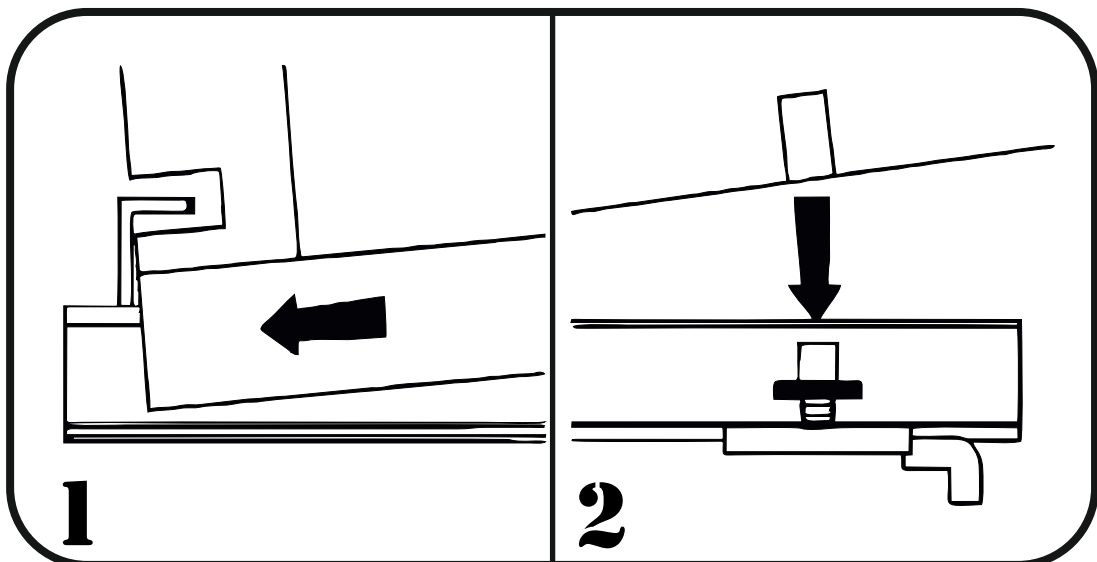
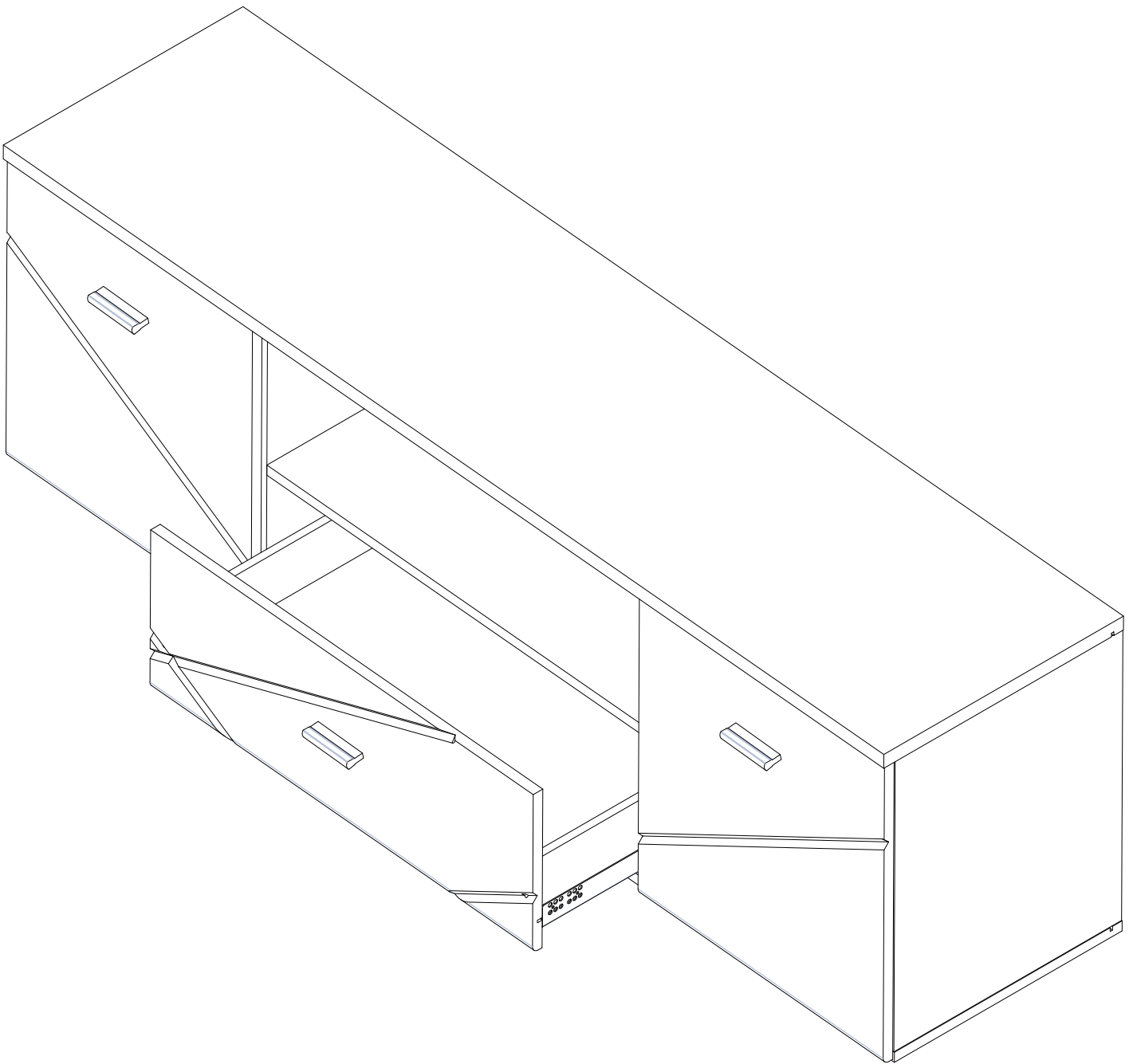
19



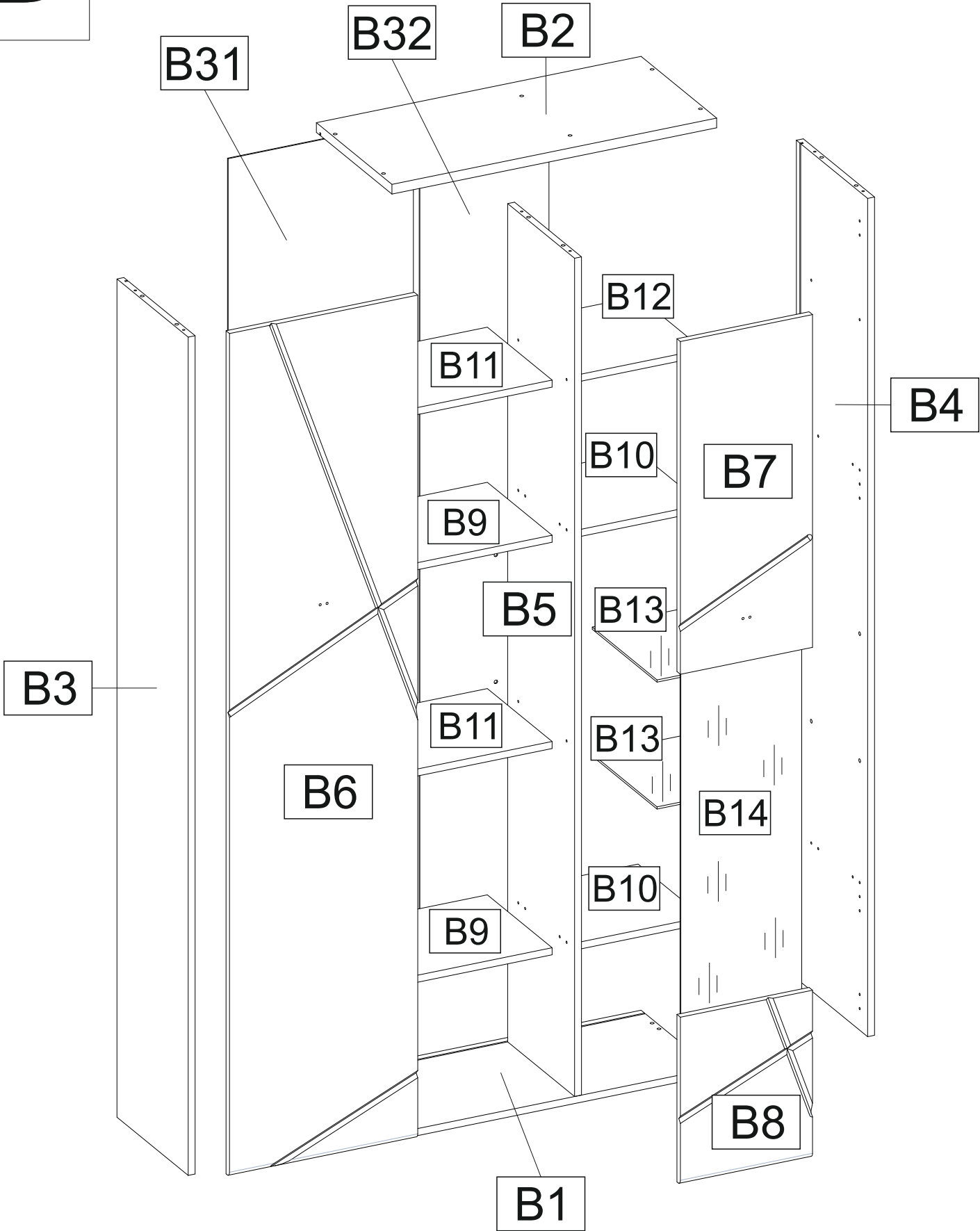
20



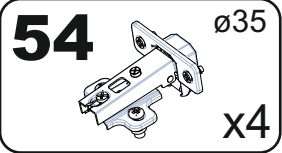
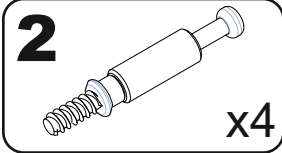
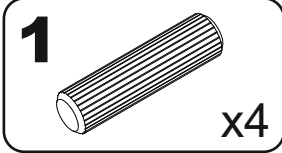
21



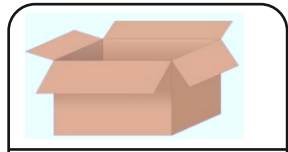
B



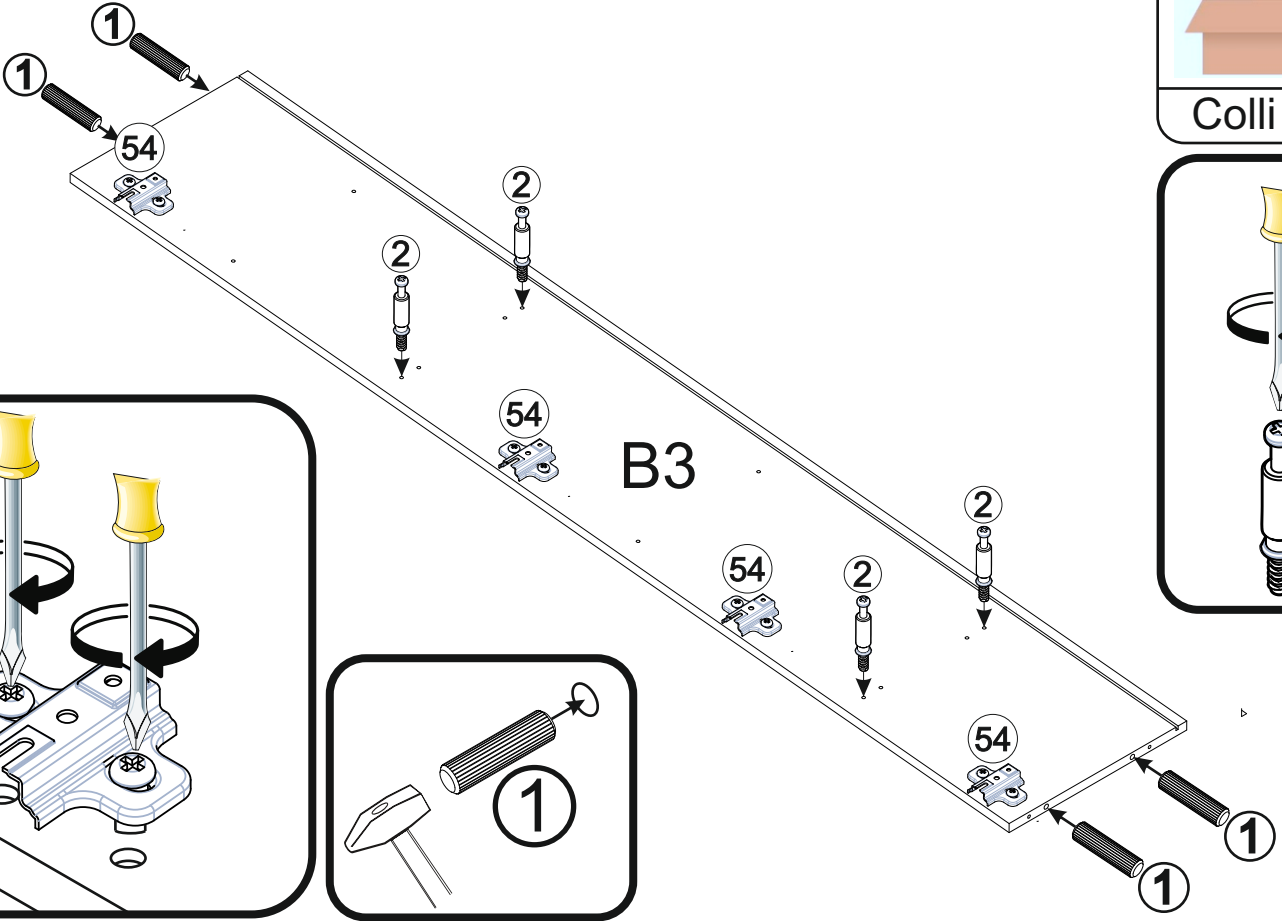
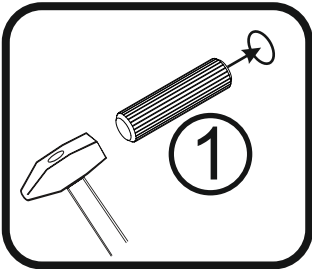
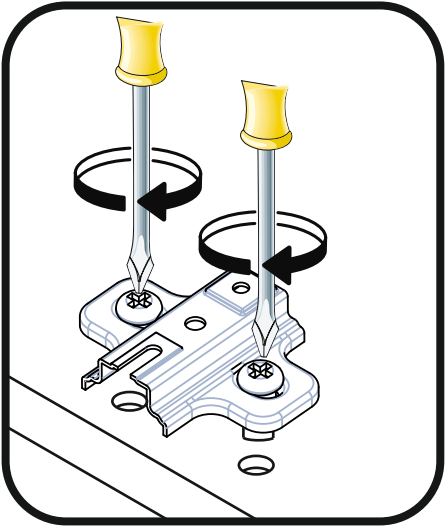
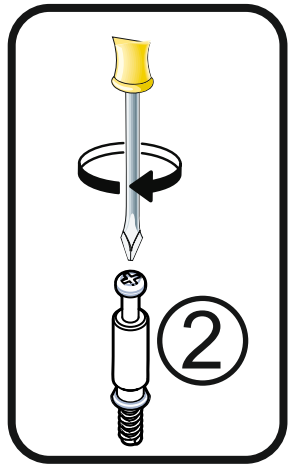
1



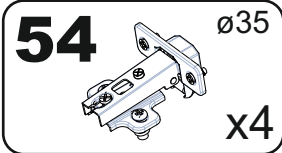
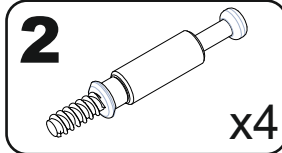
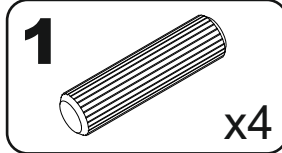
B3 1902x330



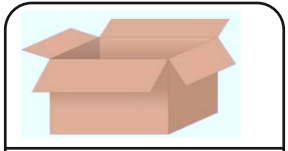
Colli nr 5



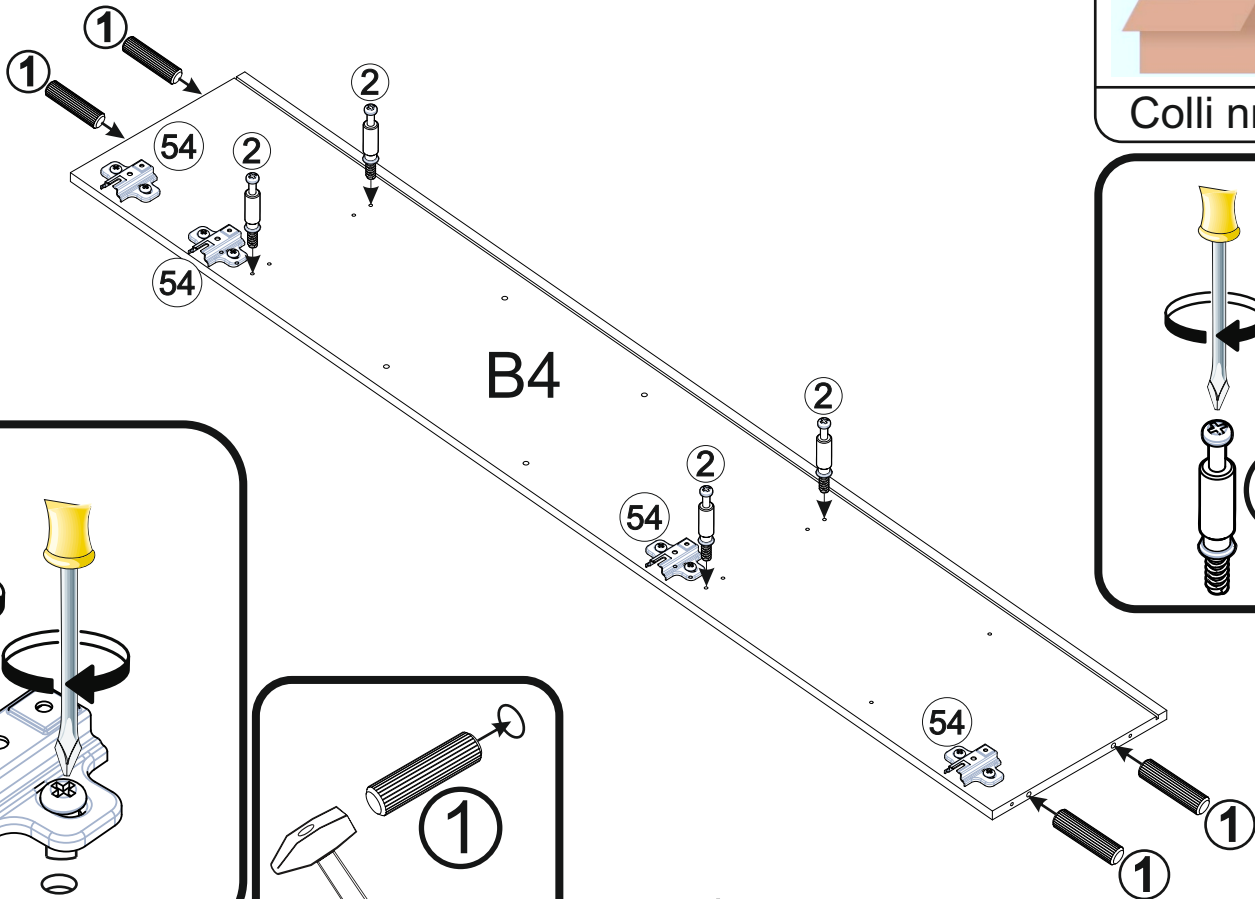
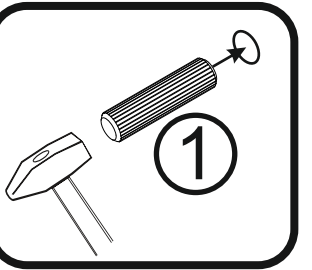
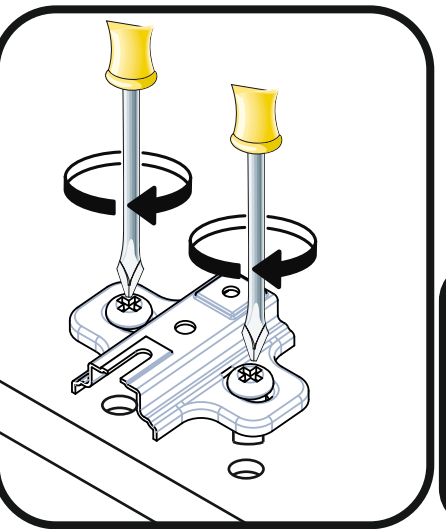
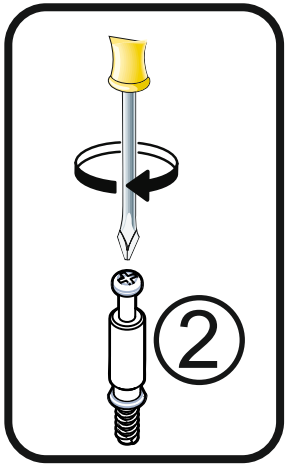
2



B4 1902x330

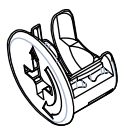


Colli nr 5



3

9



ø15

x16

9

B9

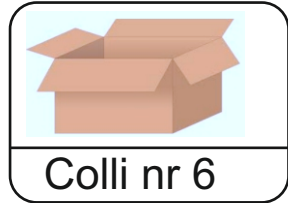
x2

B9

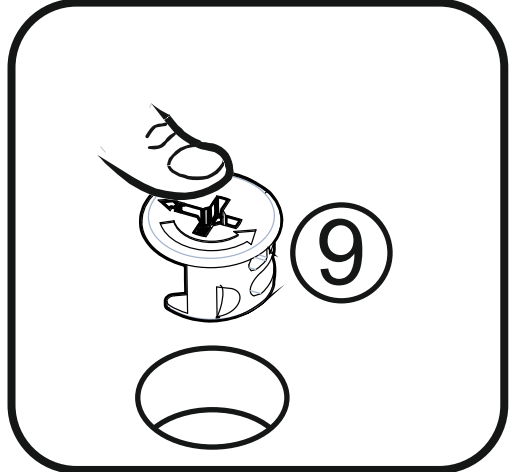
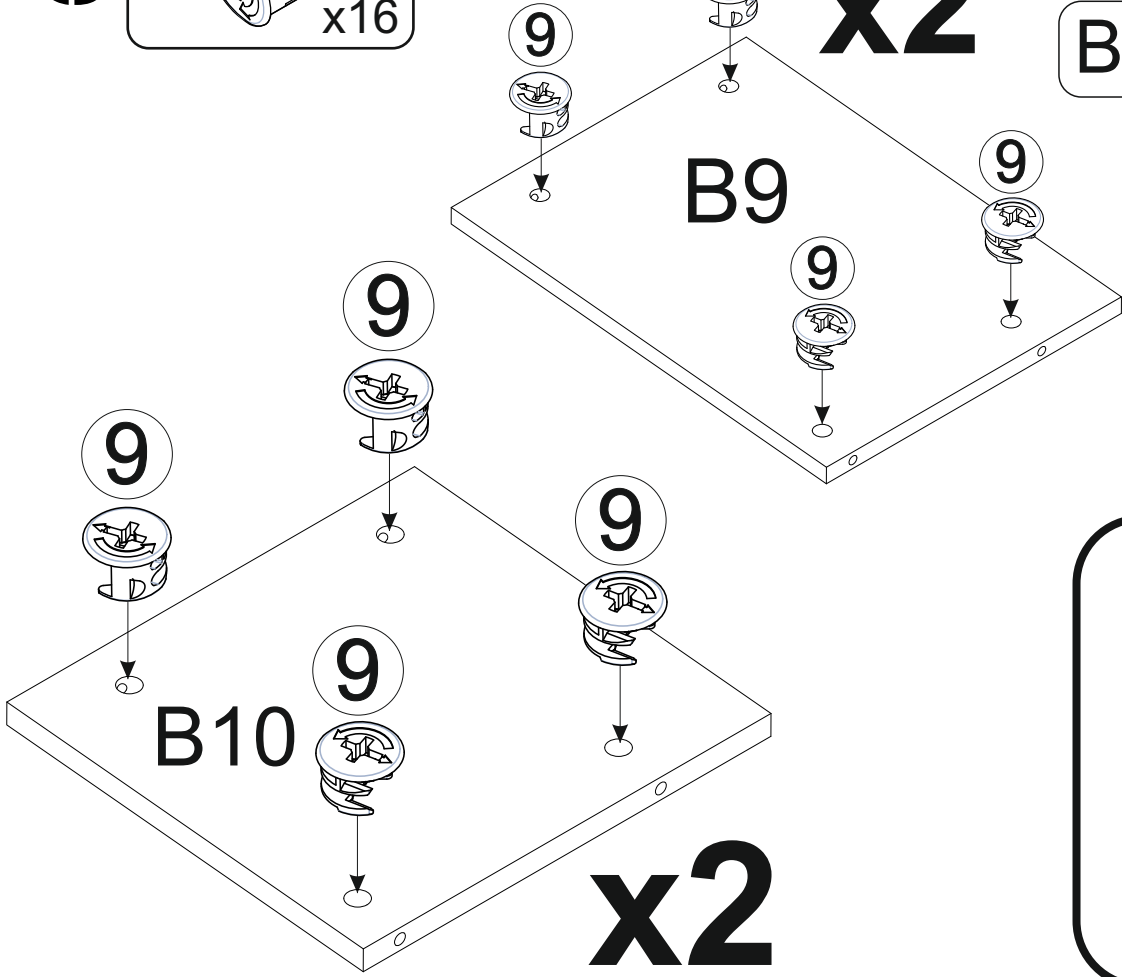
416x330

B10

286x300

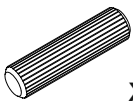


Colli nr 6



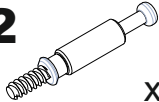
4

1



x4

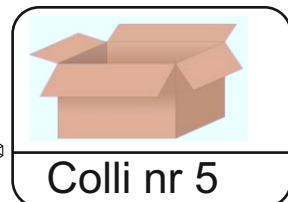
2



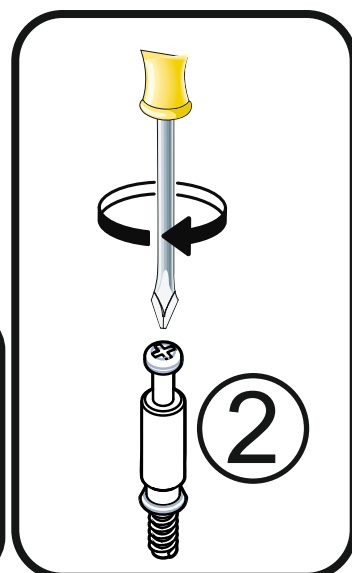
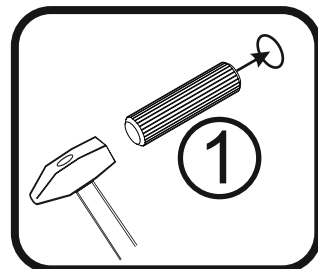
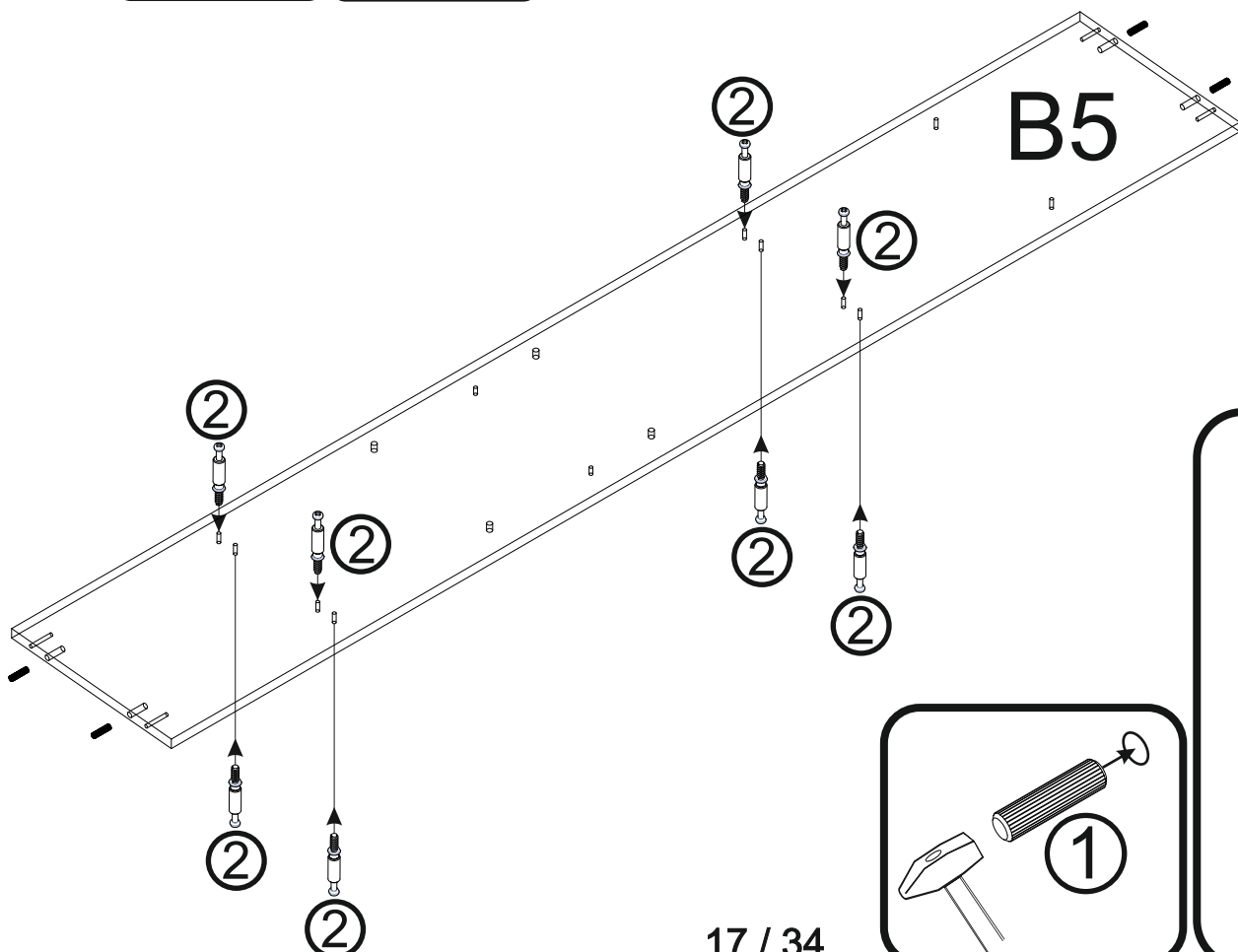
x8

B5

1902x310



Colli nr 5

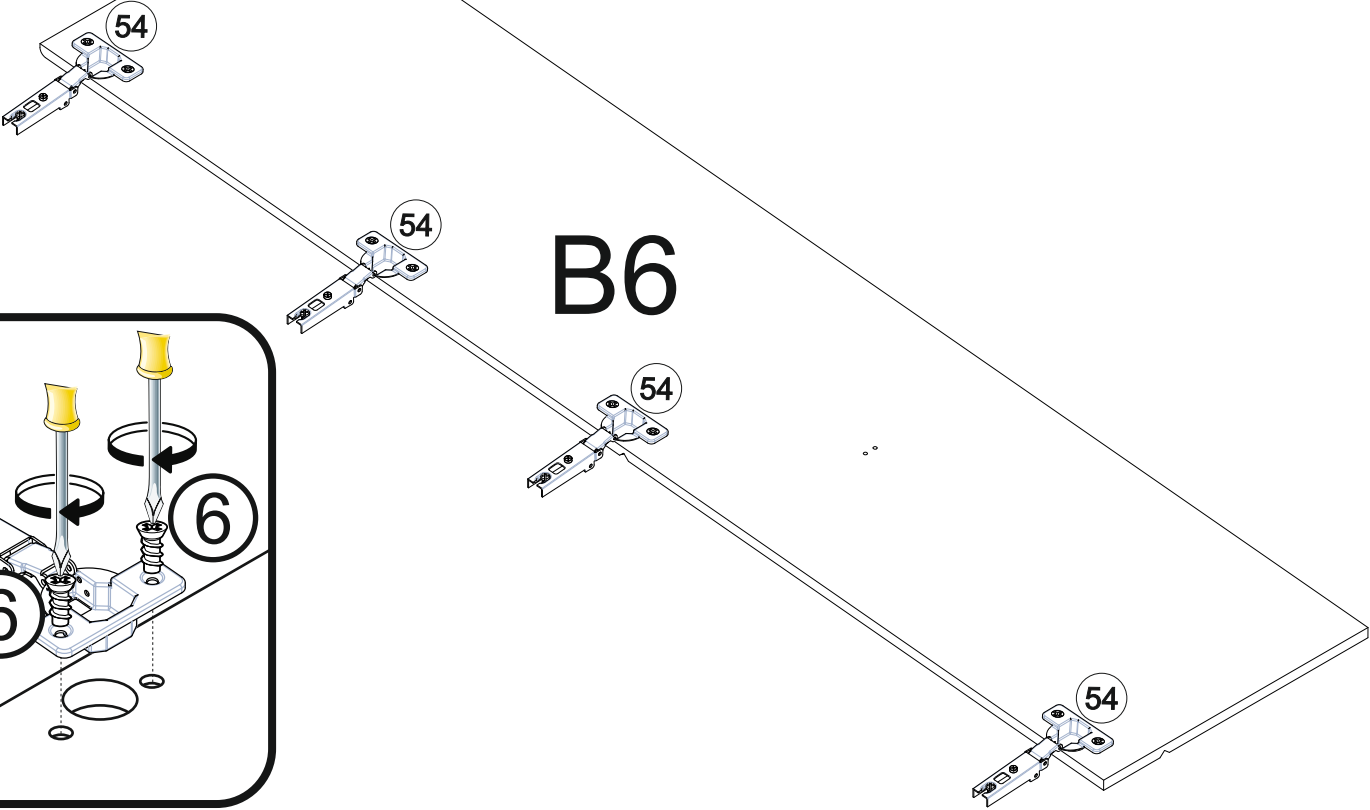
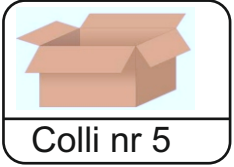


5

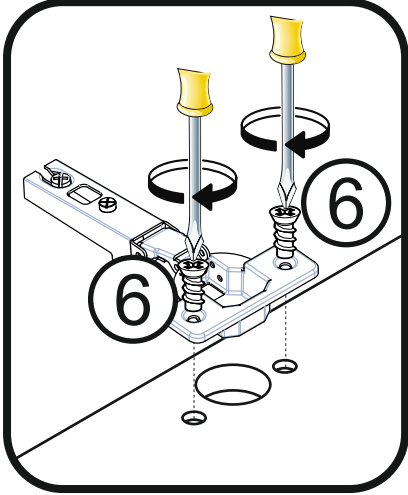
54 $\varnothing 35$
x4

6 5x11
x8

B6	1913x436
-----------	-----------------



B6



6 **36** x6

4A 4x16
x6

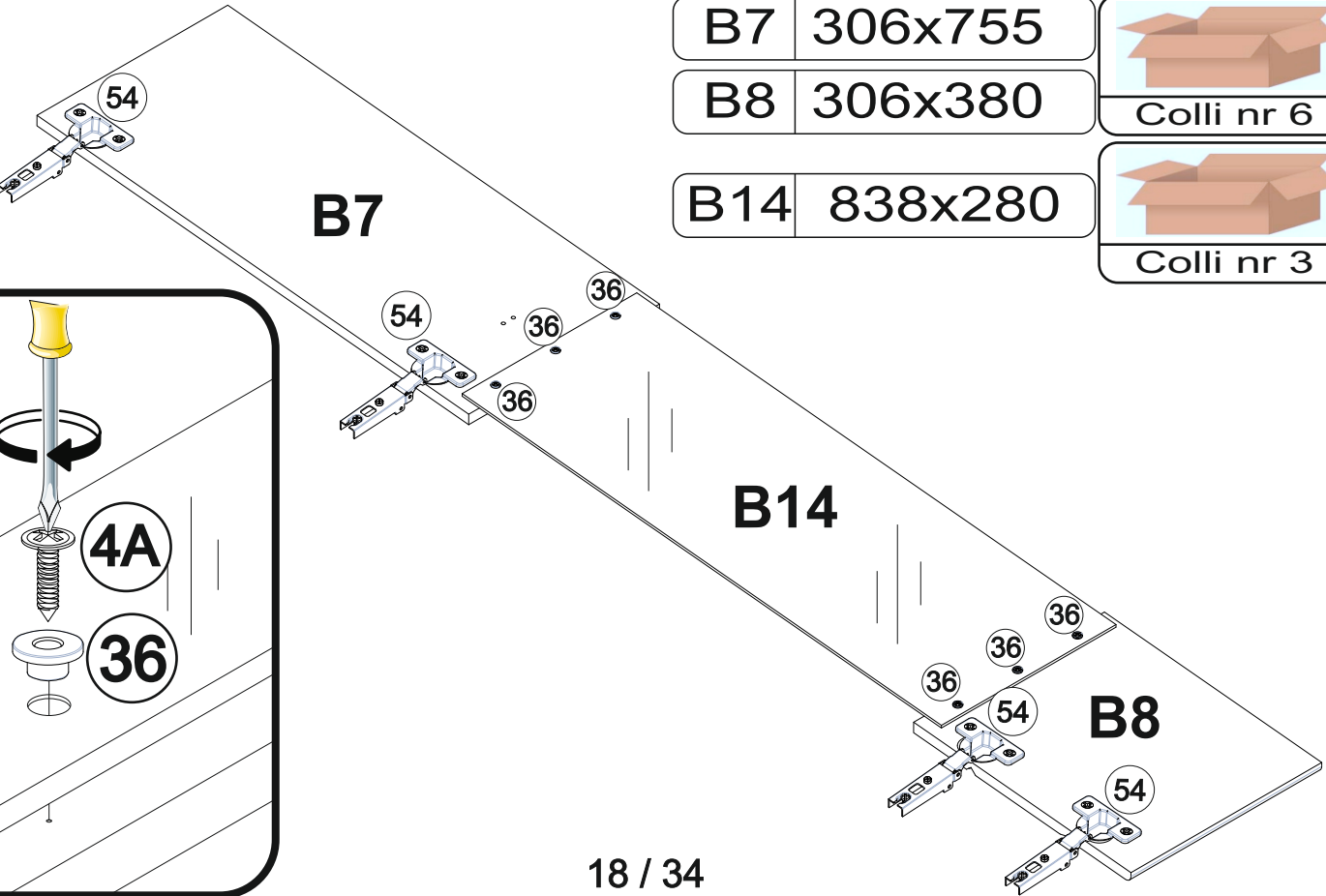
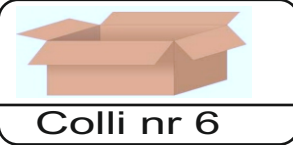
54 $\varnothing 35$
x4

6 5x11
x8

B7	306x755
-----------	----------------

B8	306x380
-----------	----------------

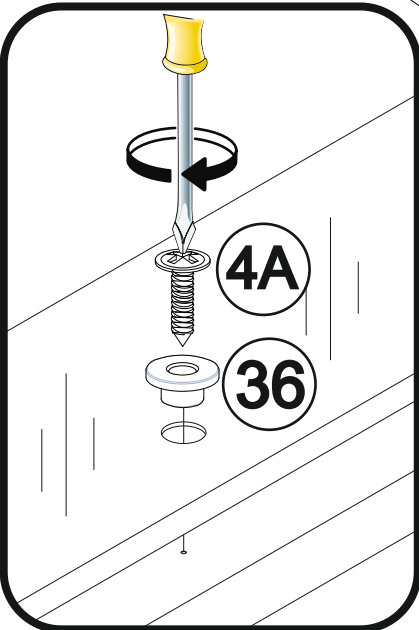
B14	838x280
------------	----------------



B7

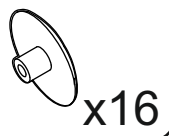
B14

B8

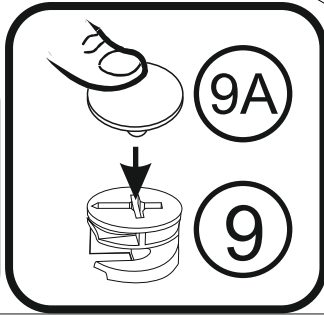
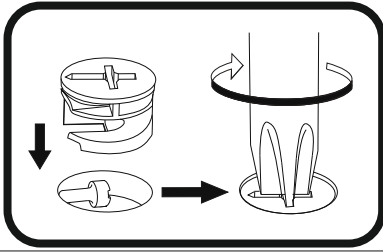
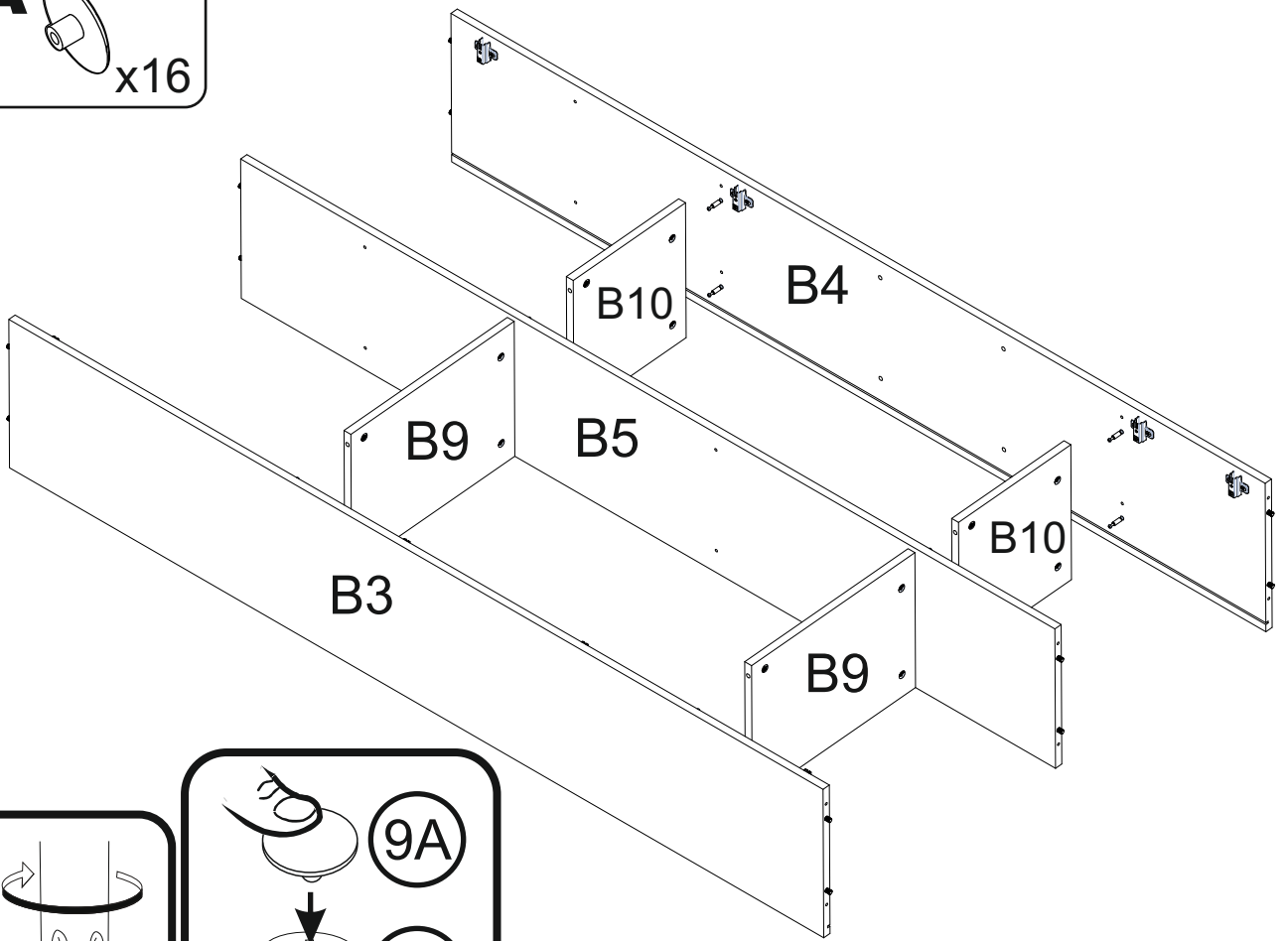


7

9A

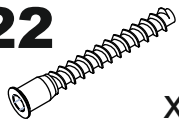


x16



8

22



x6

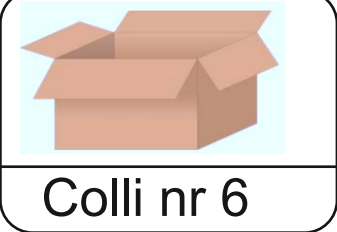
22A



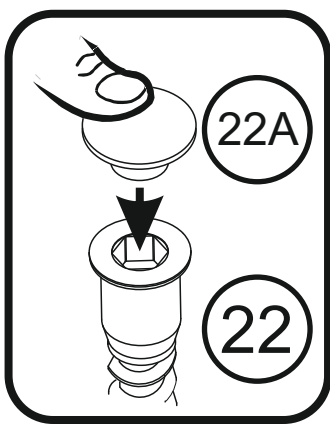
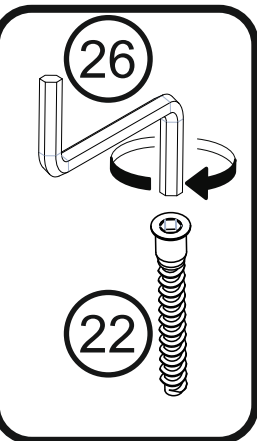
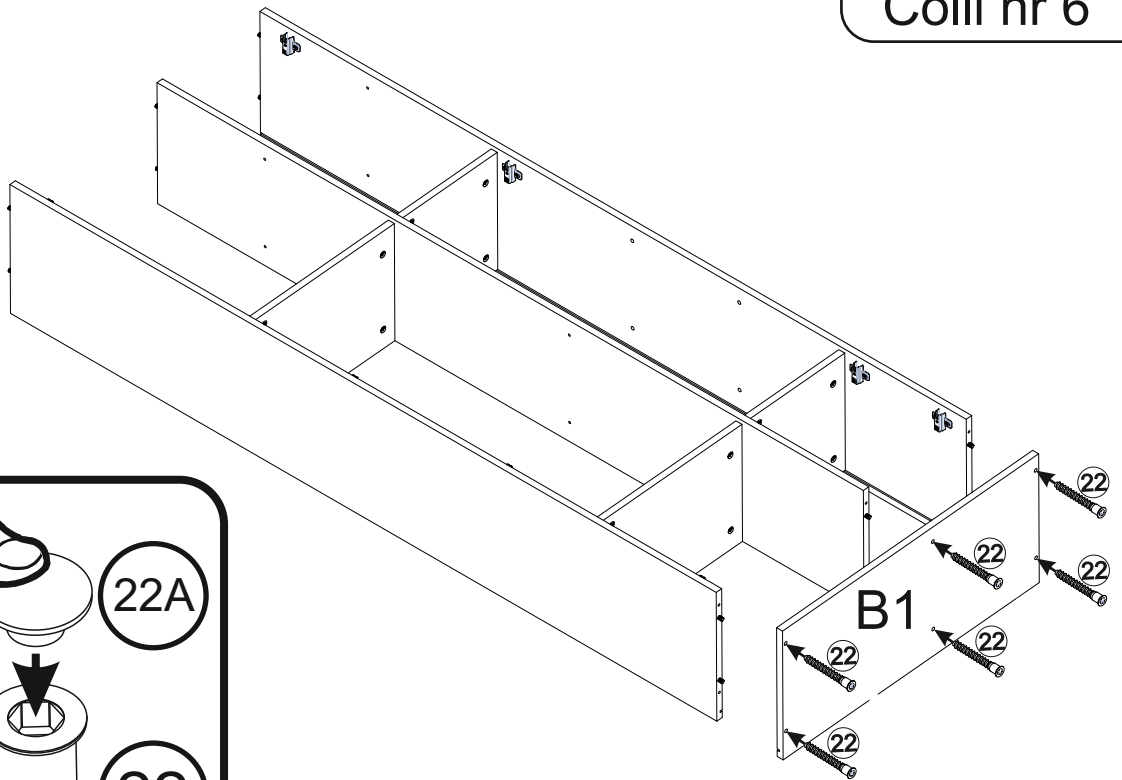
x6

B1

752x330



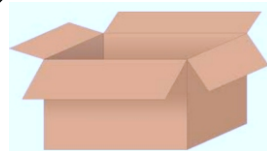
Colli nr 6



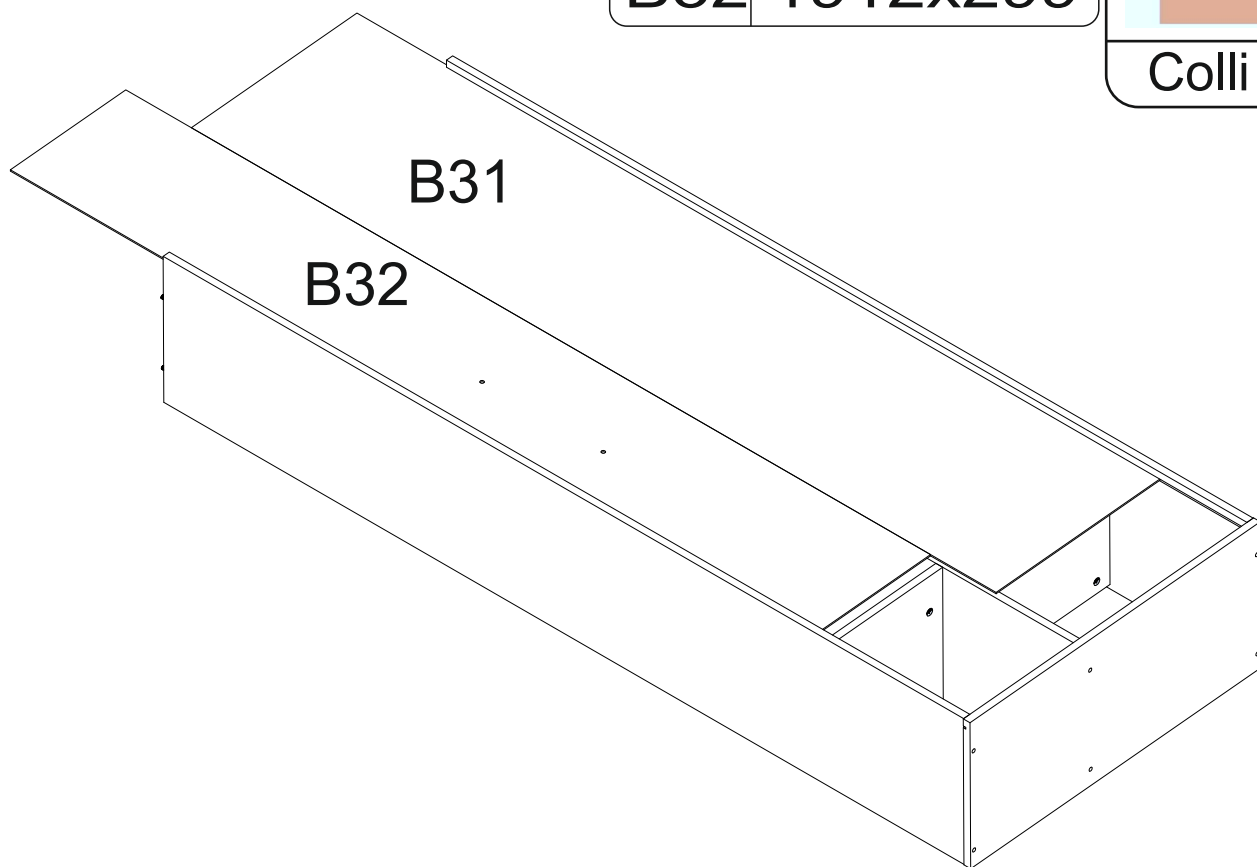
9

B31 1912x429

B32 1912x299



Colli nr 5



10

22



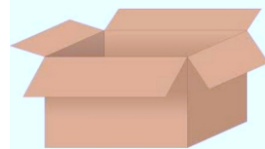
x6

22A

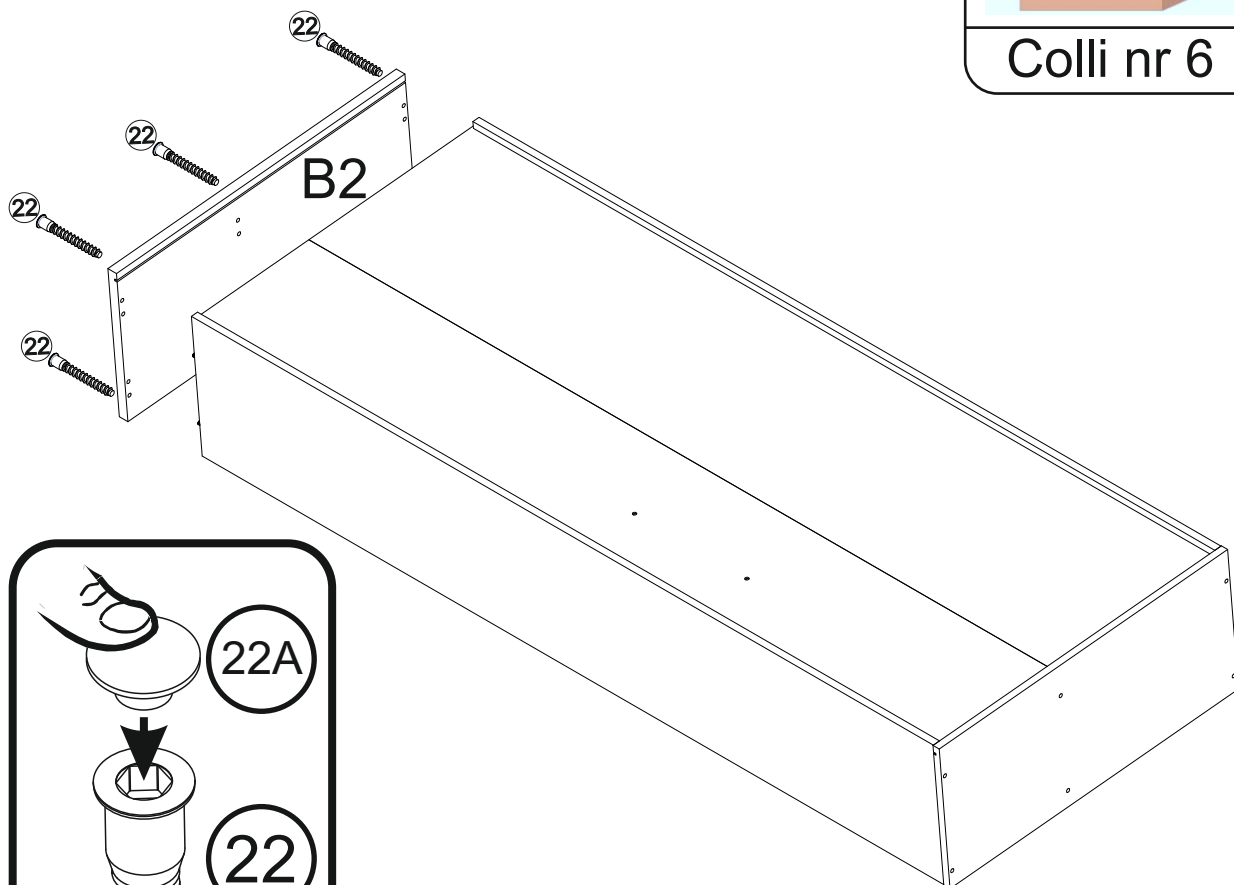


x6

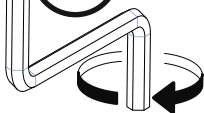
B2 752x350



Colli nr 6



26



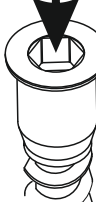
22



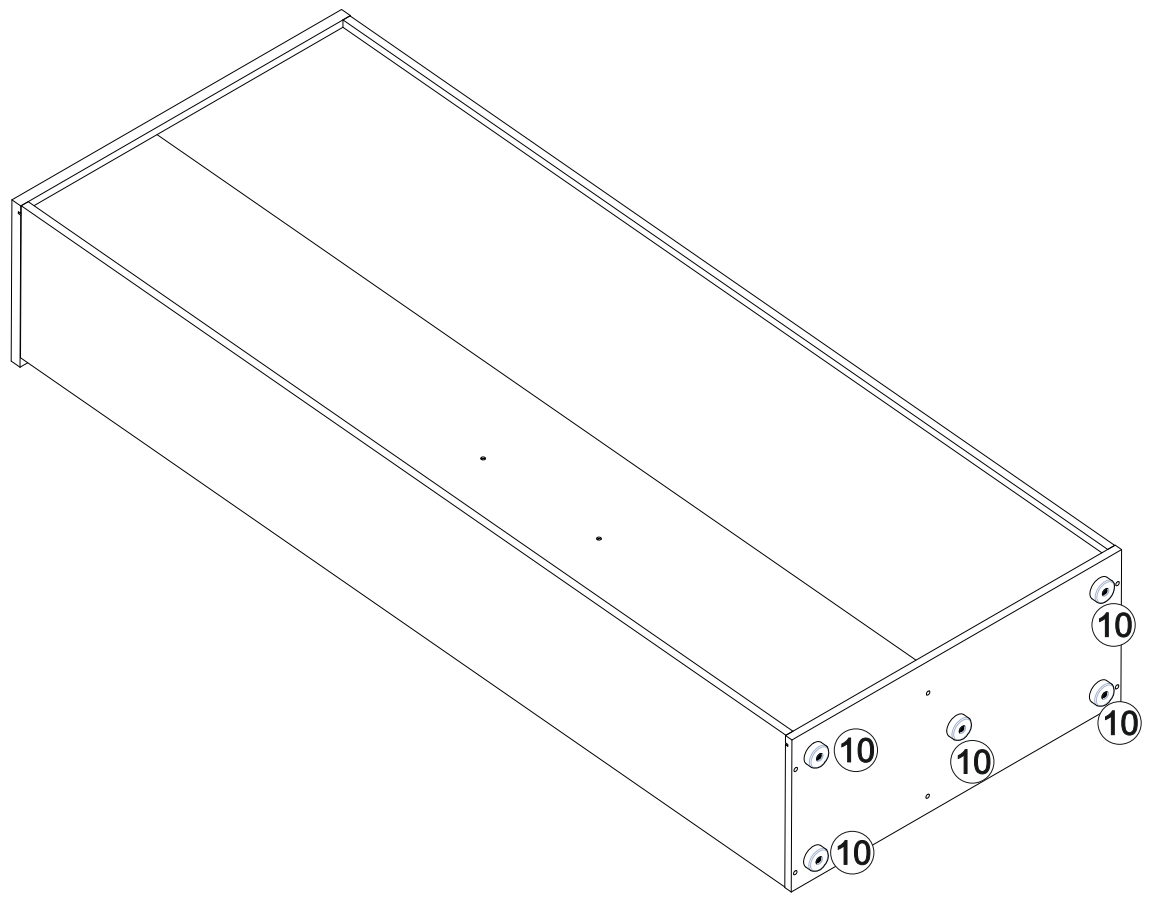
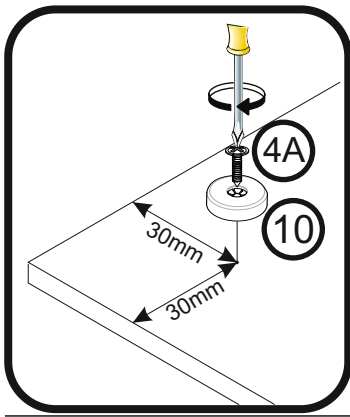
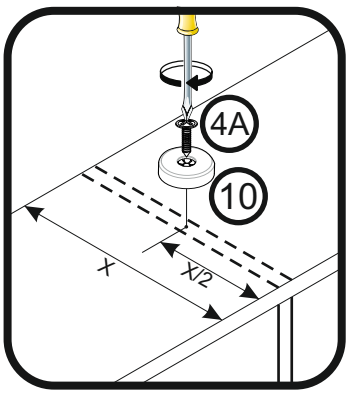
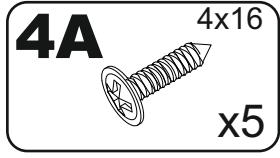
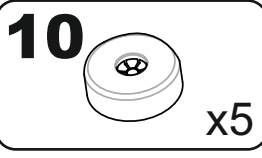
22A



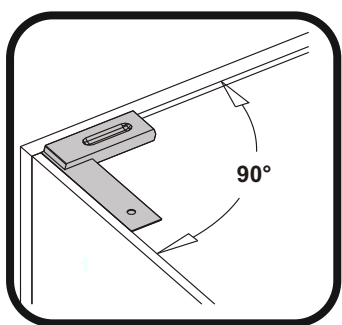
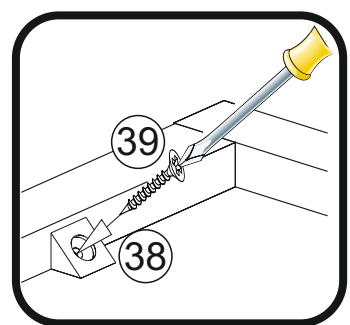
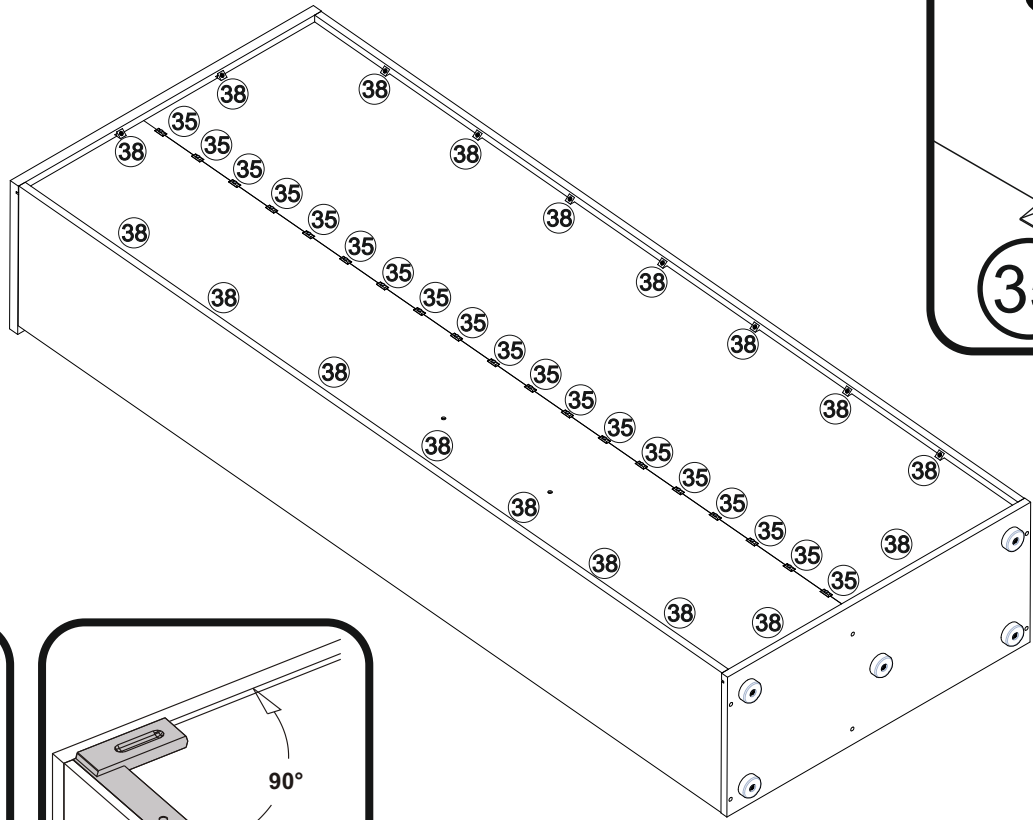
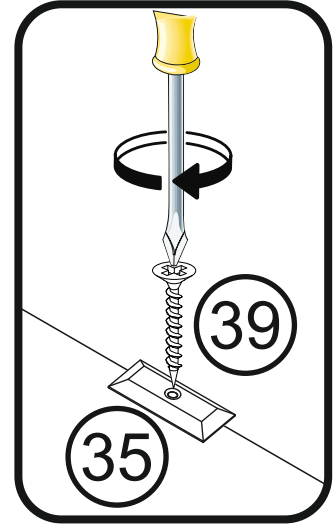
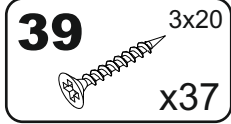
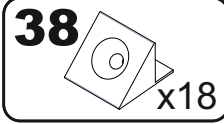
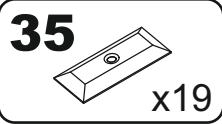
22



11

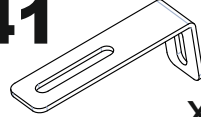


12



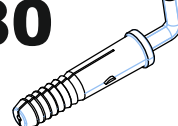
13

41



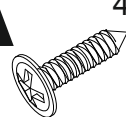
x1

80



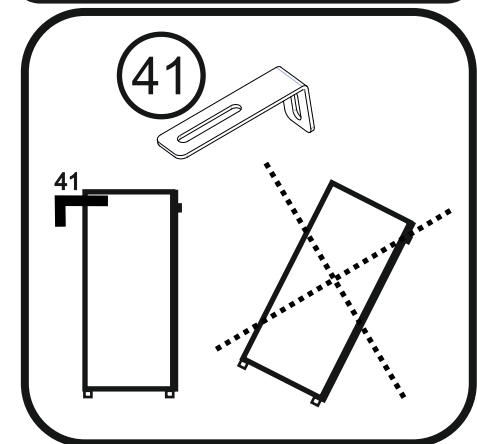
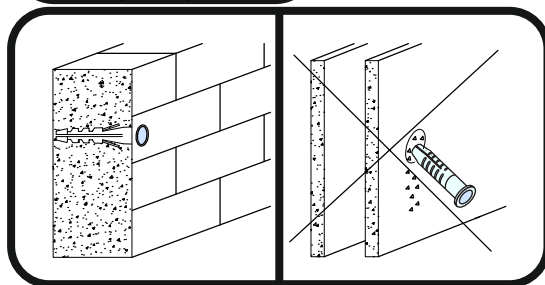
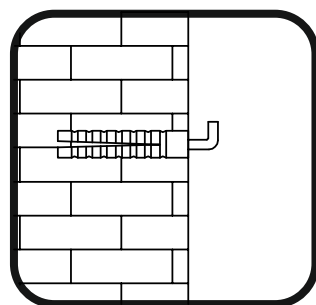
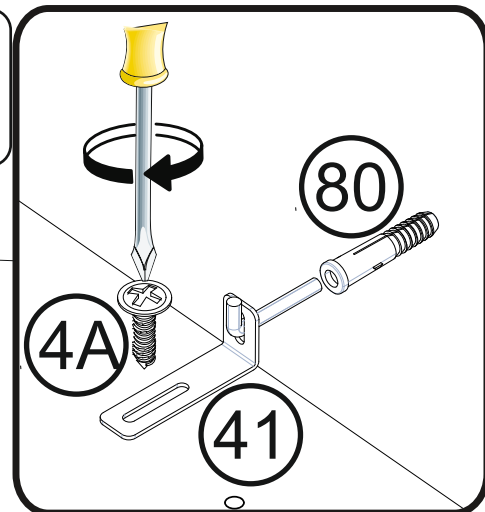
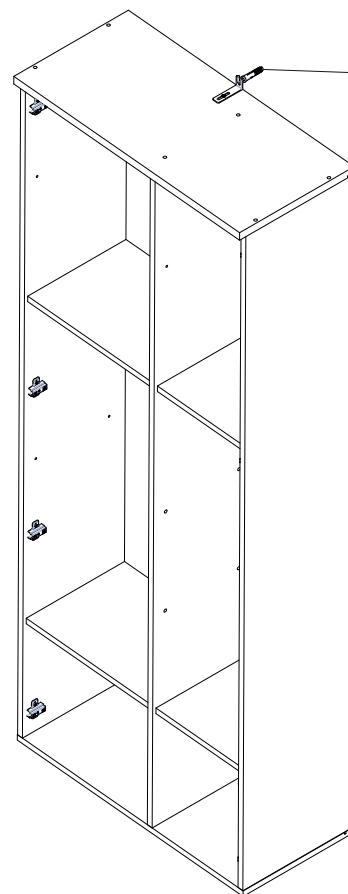
x1

4A



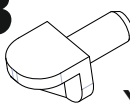
x1

4x16



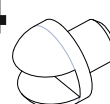
14

13

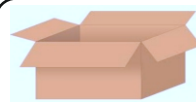


x20

14



x12



Colli nr 3

x2

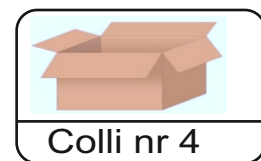
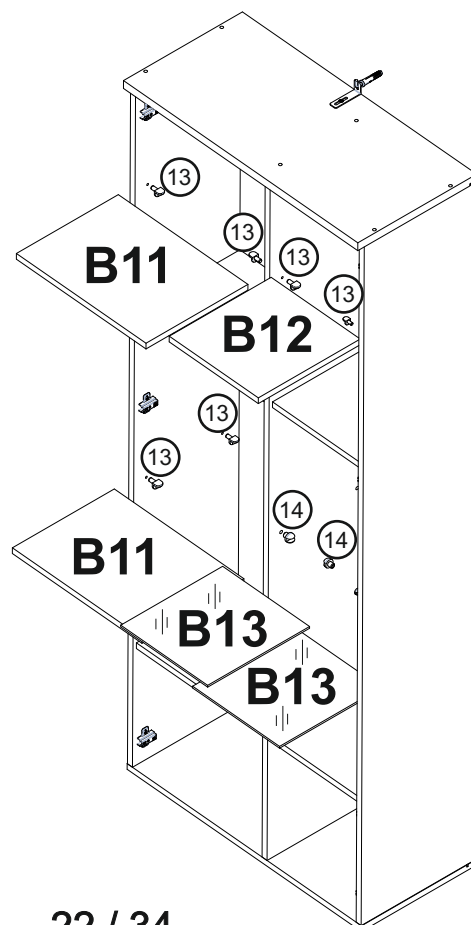
B11

416x300

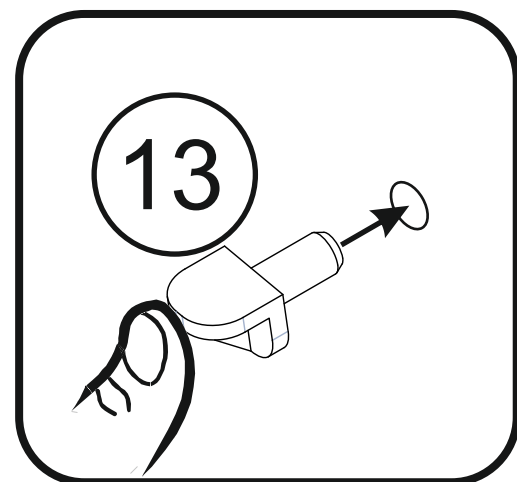
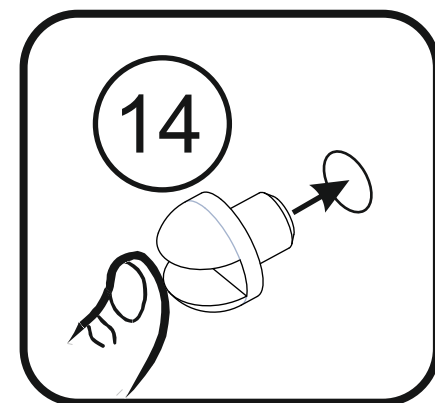
x1

B12

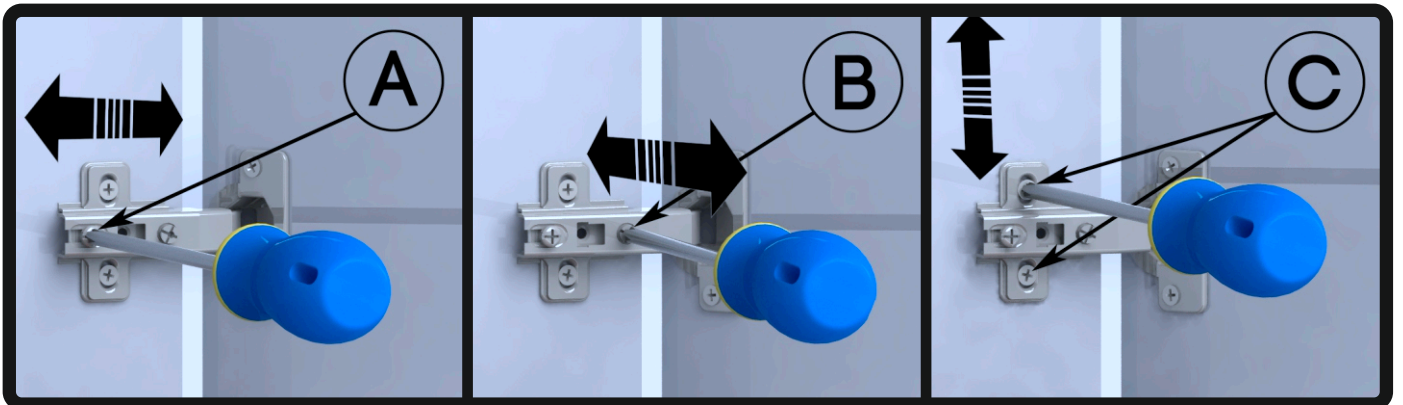
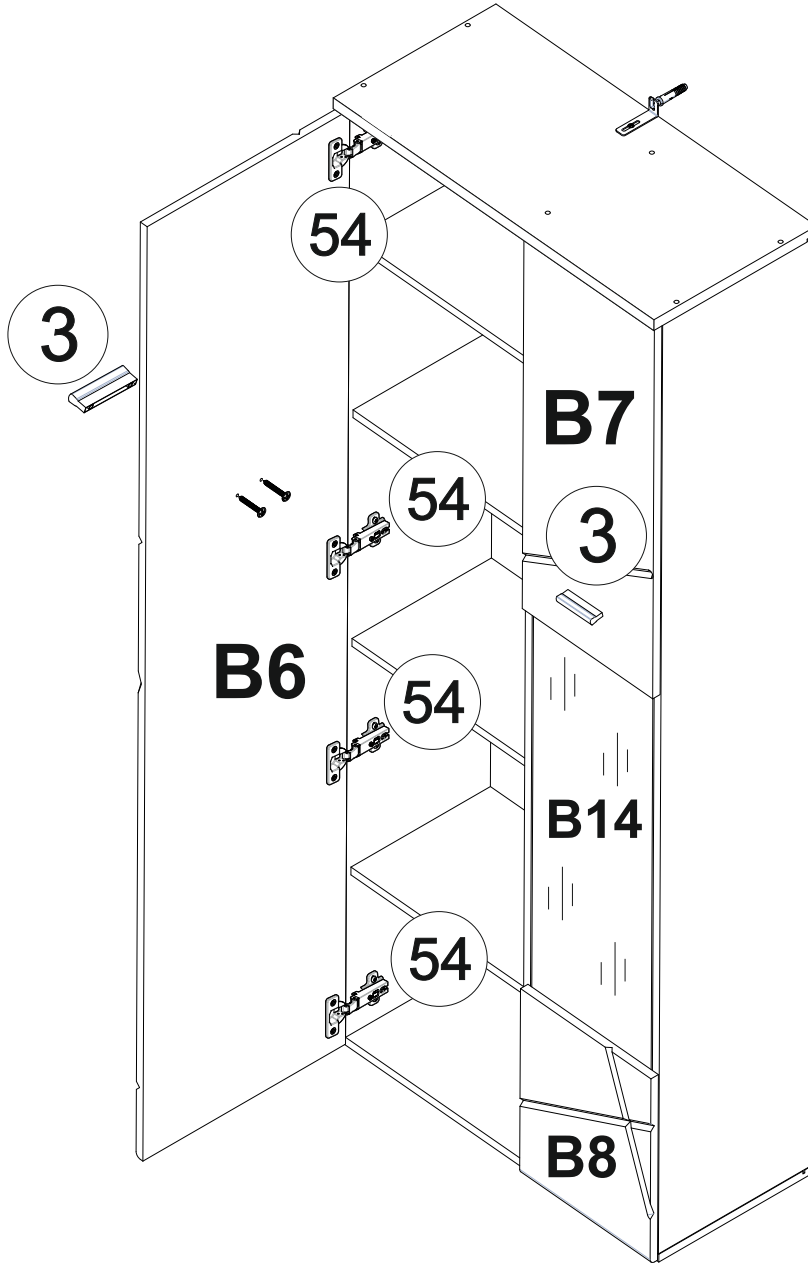
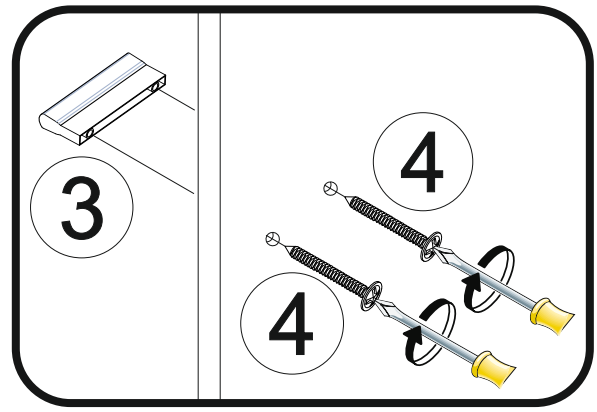
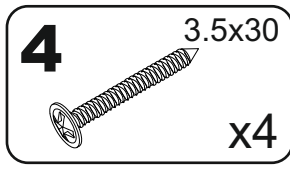
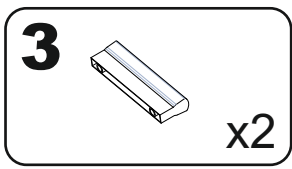
286x300



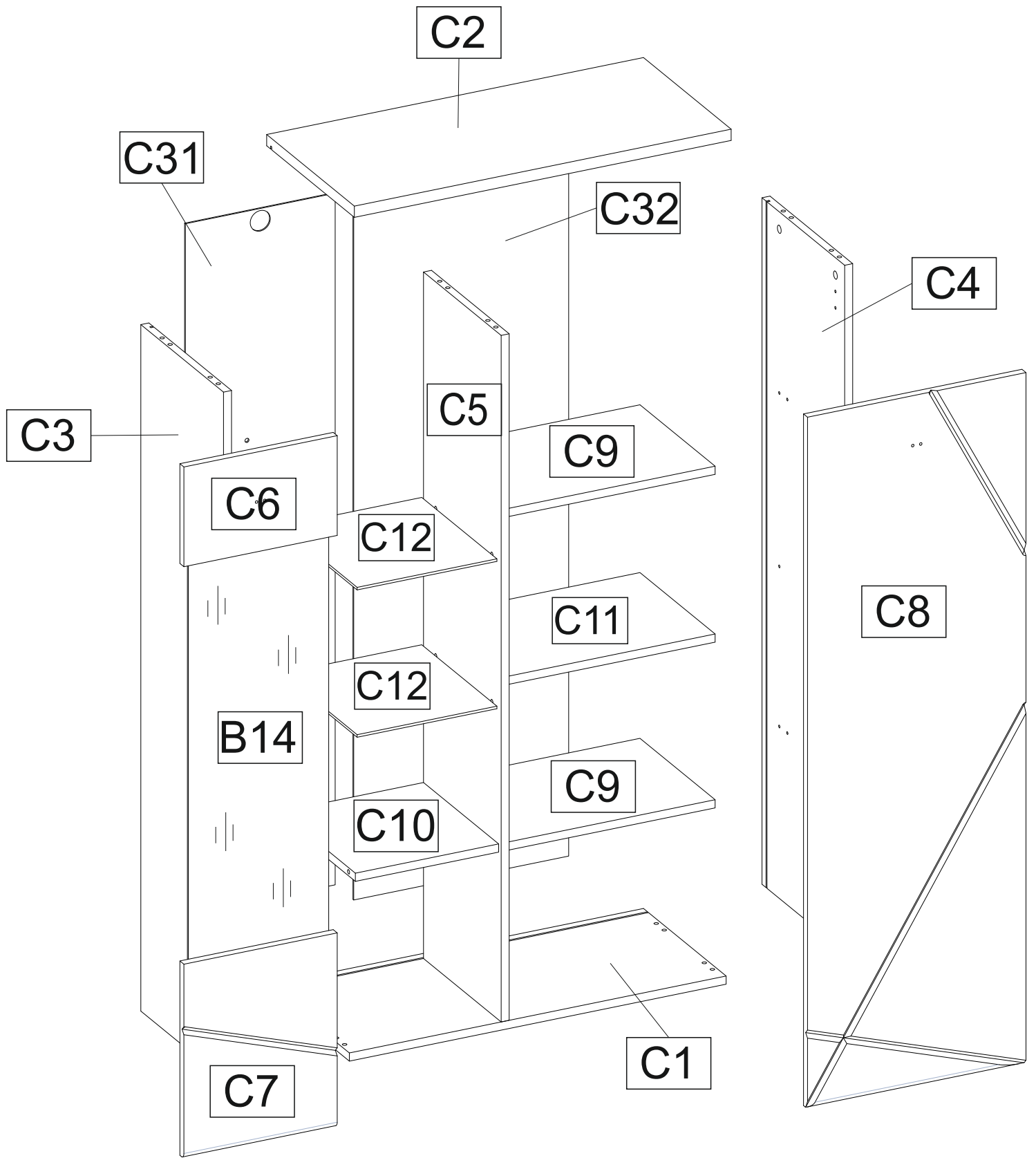
Colli nr 4

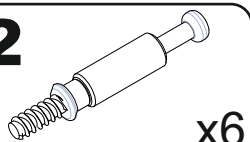
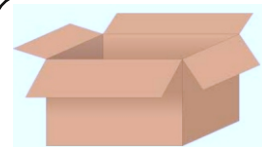


15

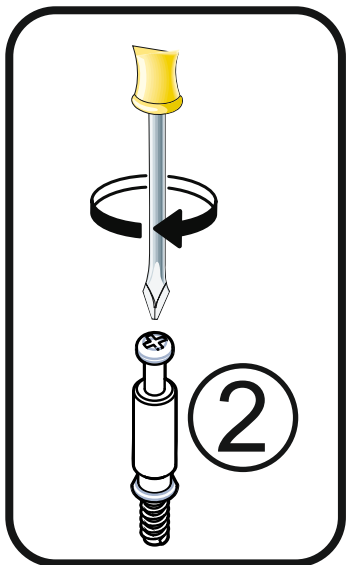
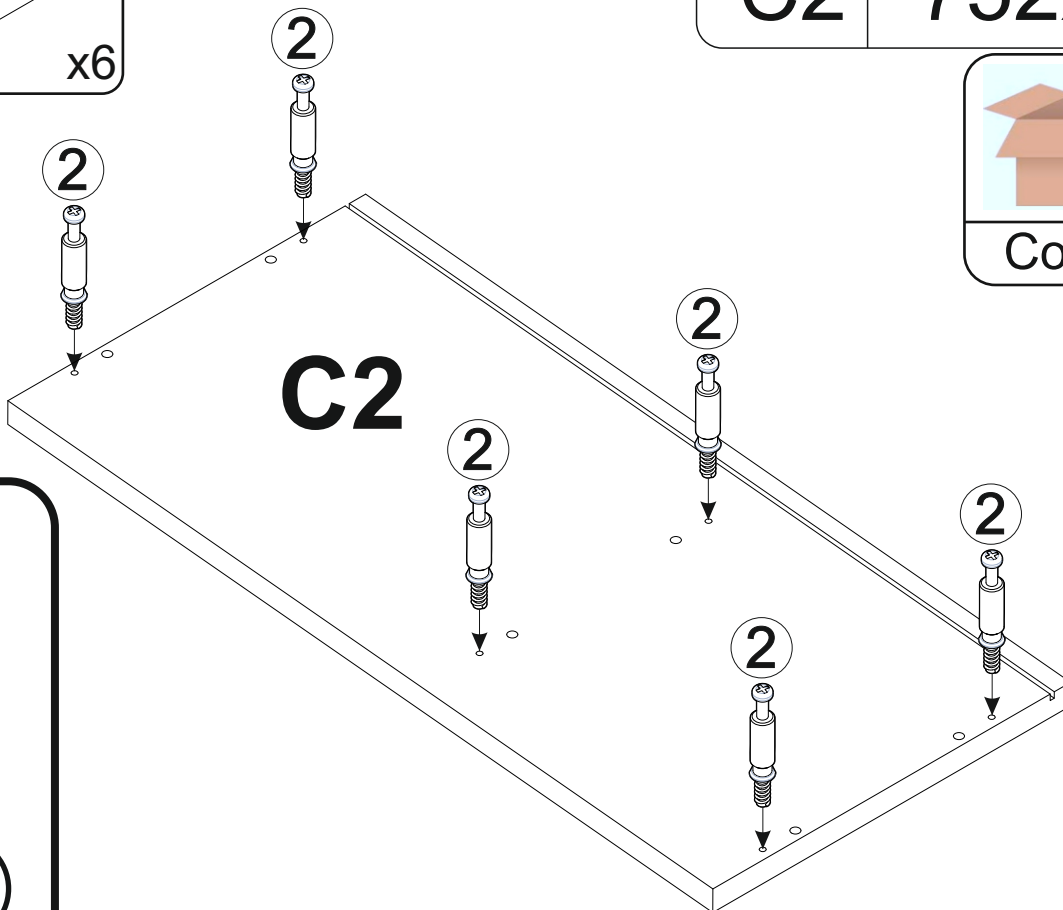
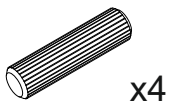
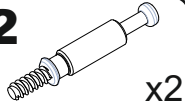
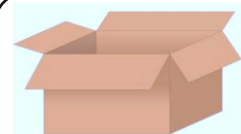


C

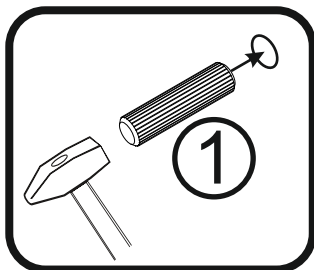
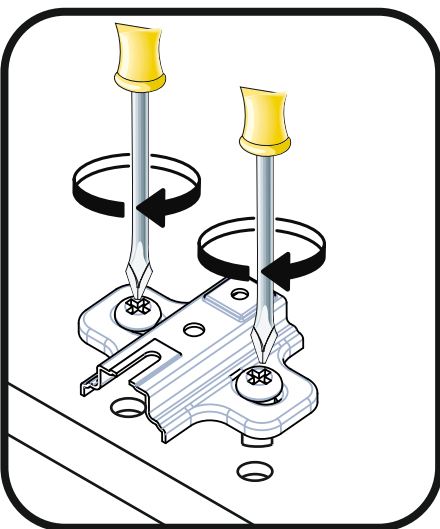
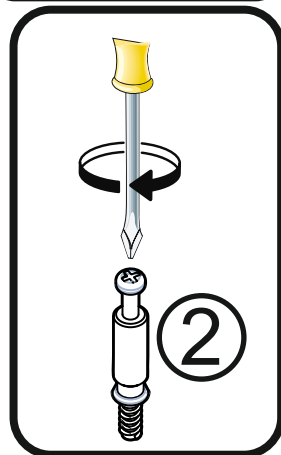
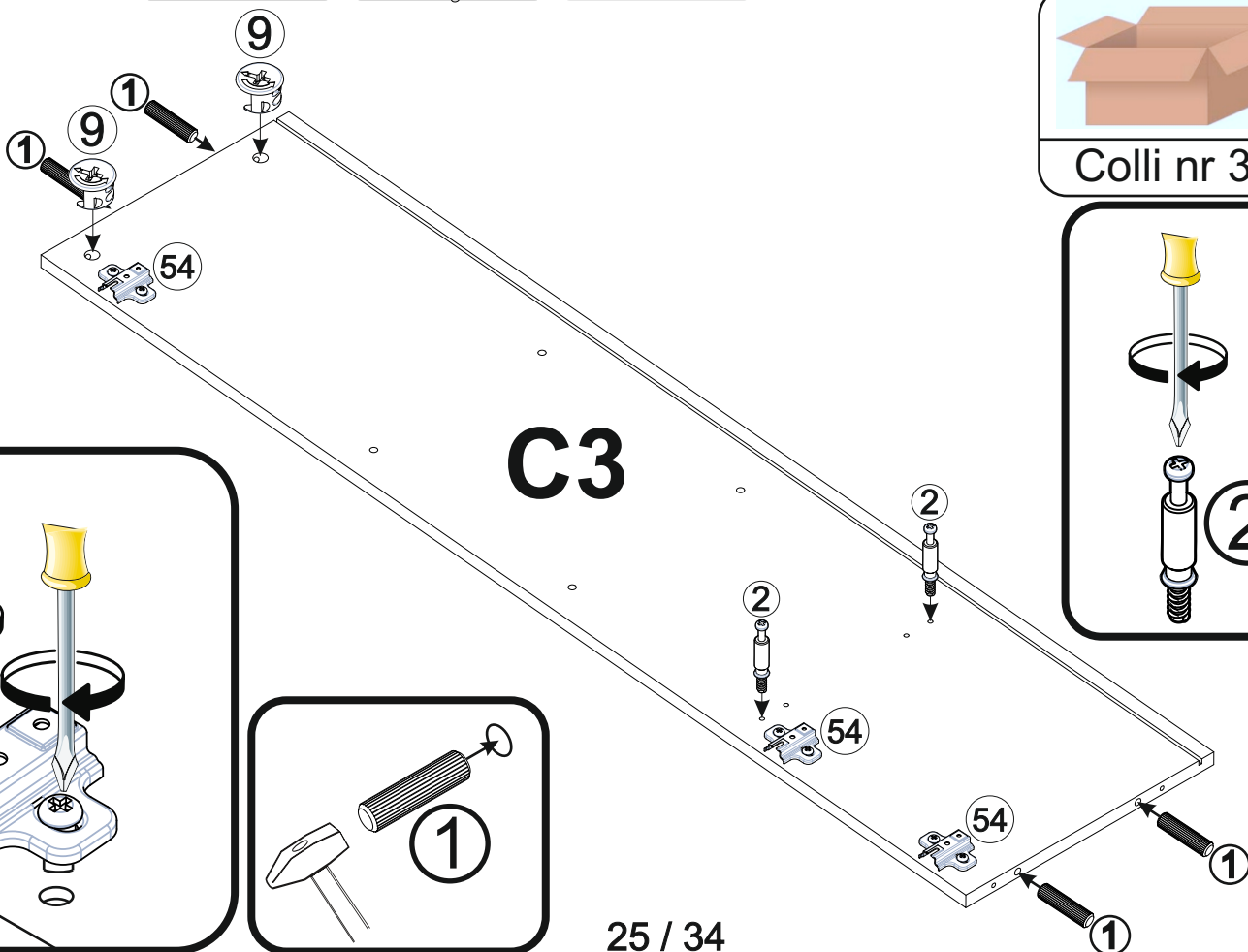


1**2****C2****752x350**

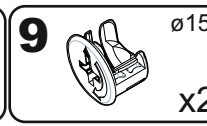
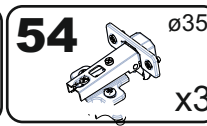
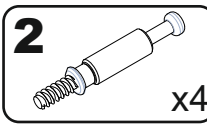
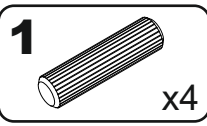
Colli nr 2

**2****1****2****54****9****C3****1342x330**

Colli nr 3

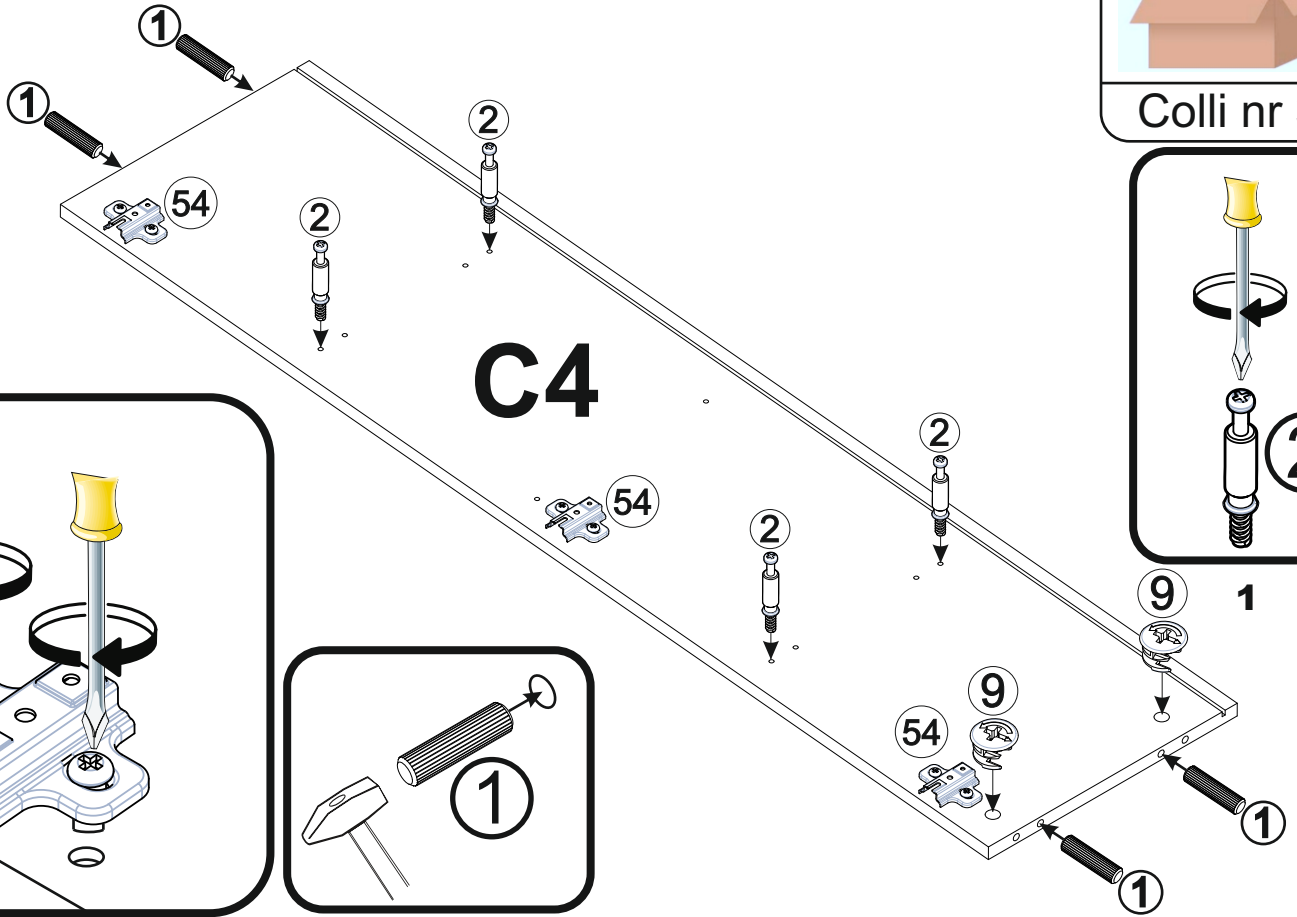
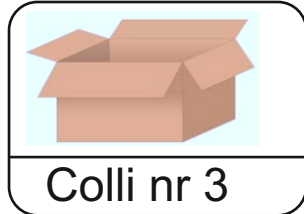


3



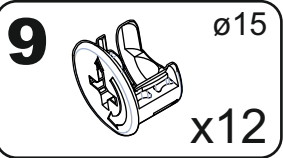
C4

1342x330



C4

4

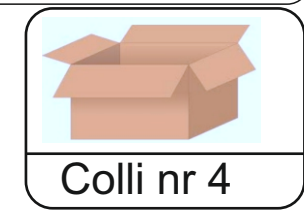


C9

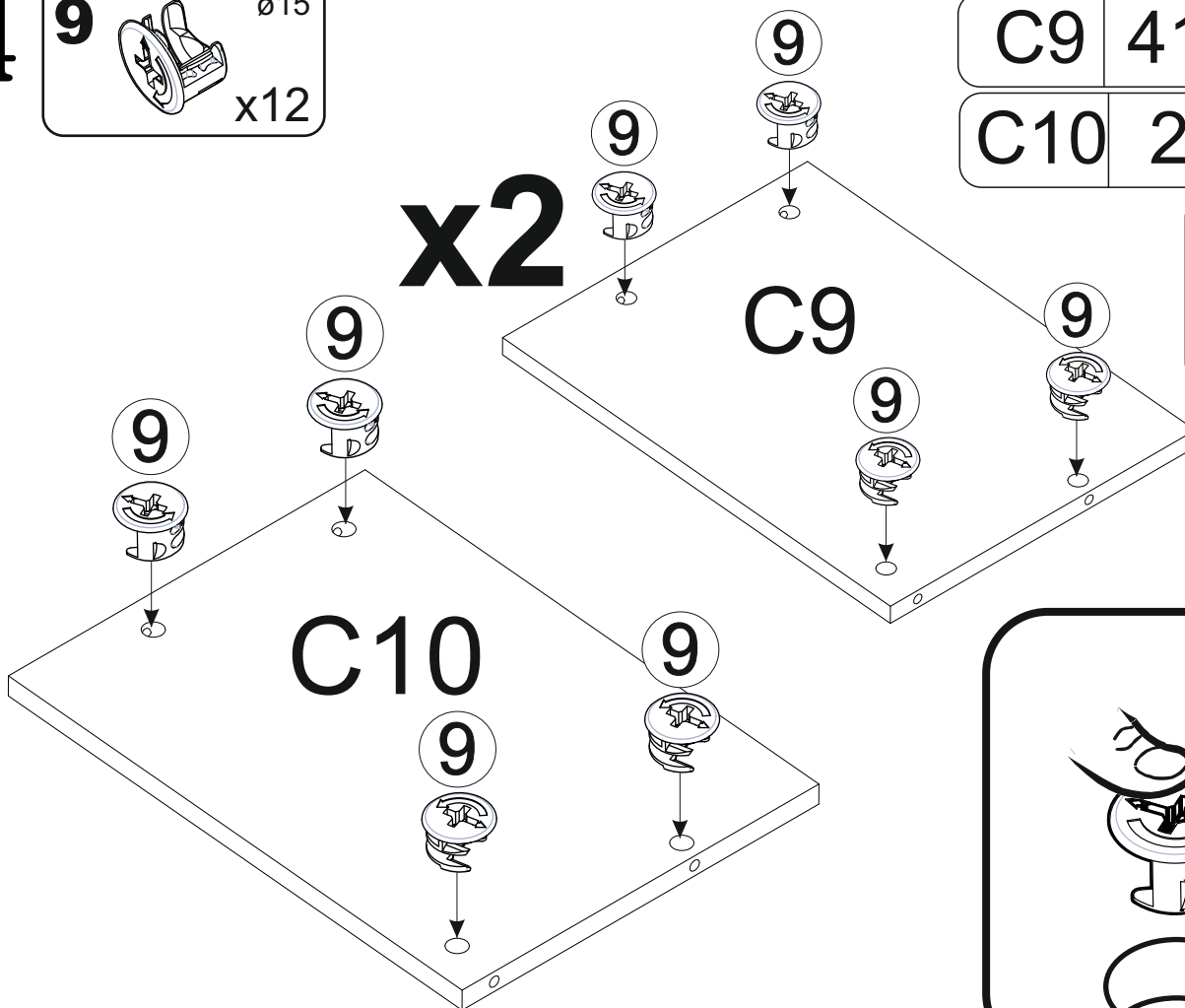
416x300

C10

286x300



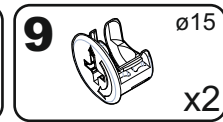
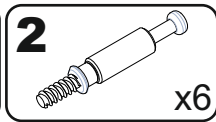
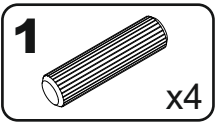
x2



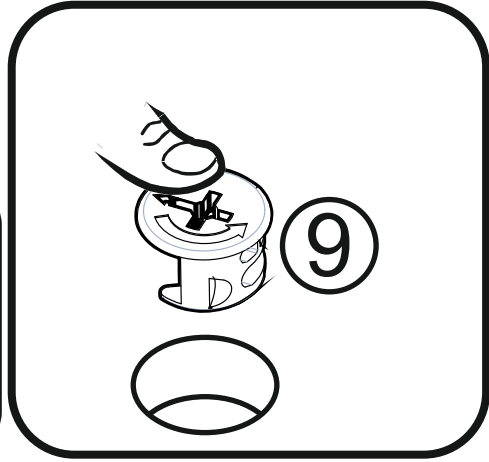
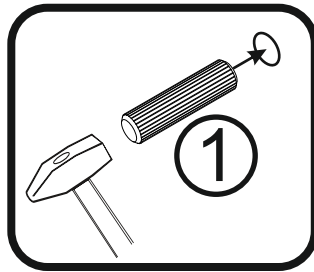
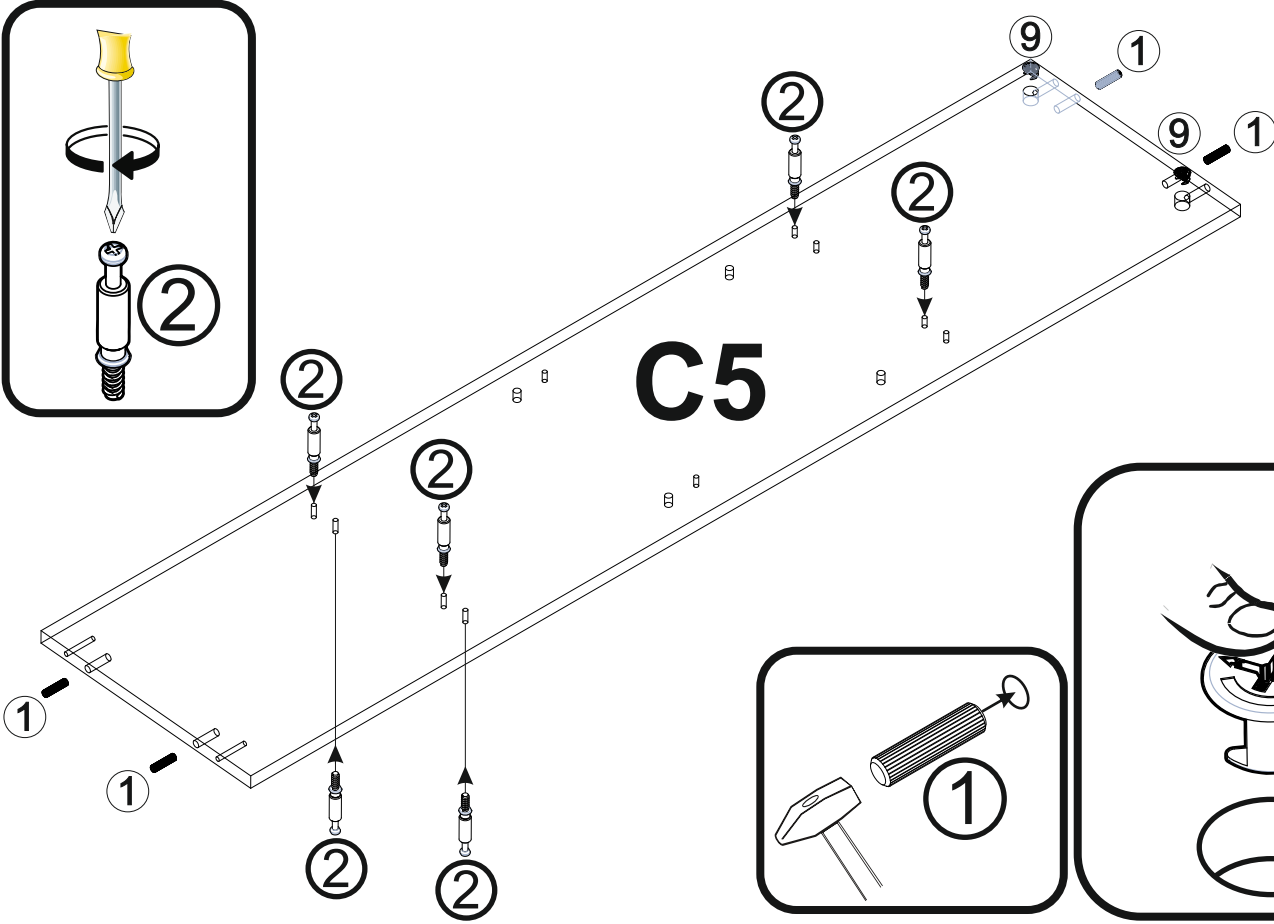
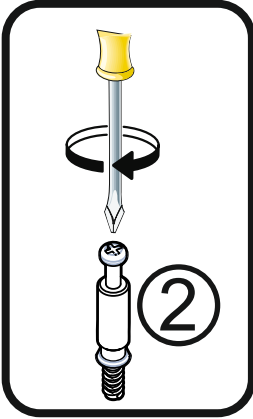
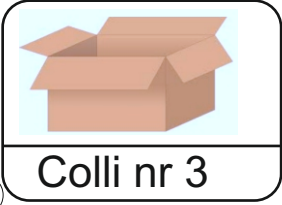
C9

C10

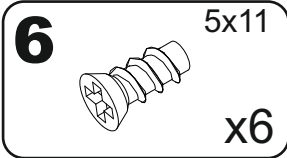
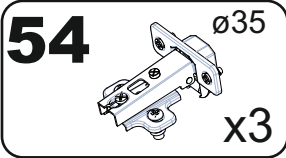
5



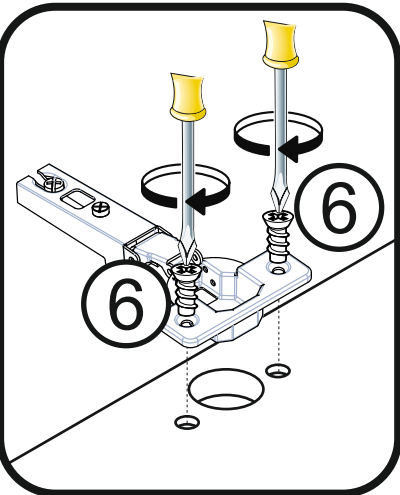
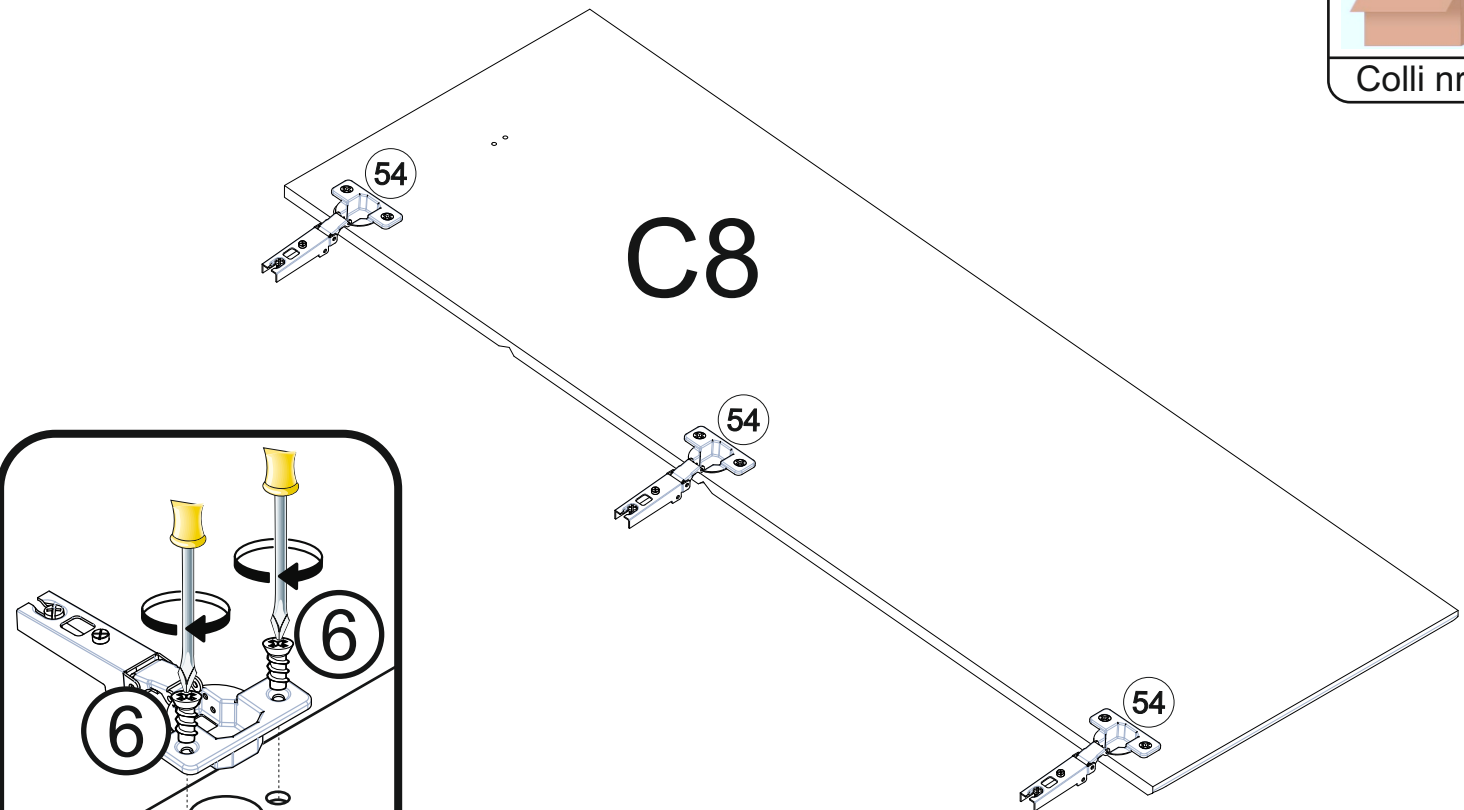
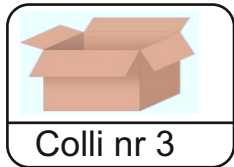
C5 1342x310



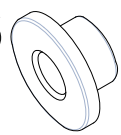
6

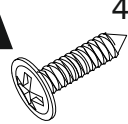


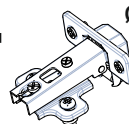
C8 1352x436

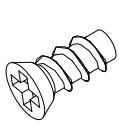


7

36  x6

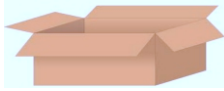
4A ^{4x16}  x6

54 ^{ø35}  x3

6 ^{5x11}  x6

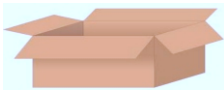
C6 306x195

C7 306x380

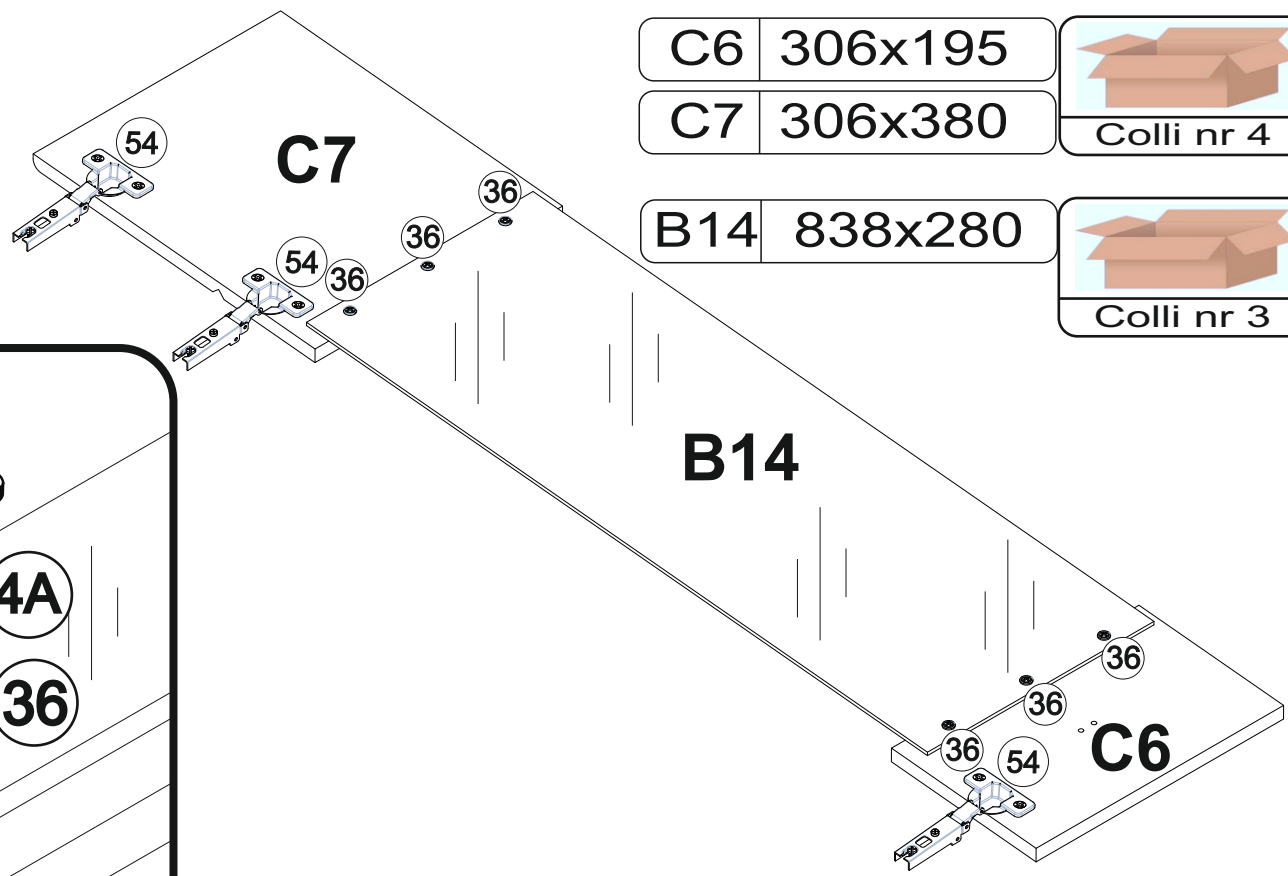


Colli nr 4


B14 838x280

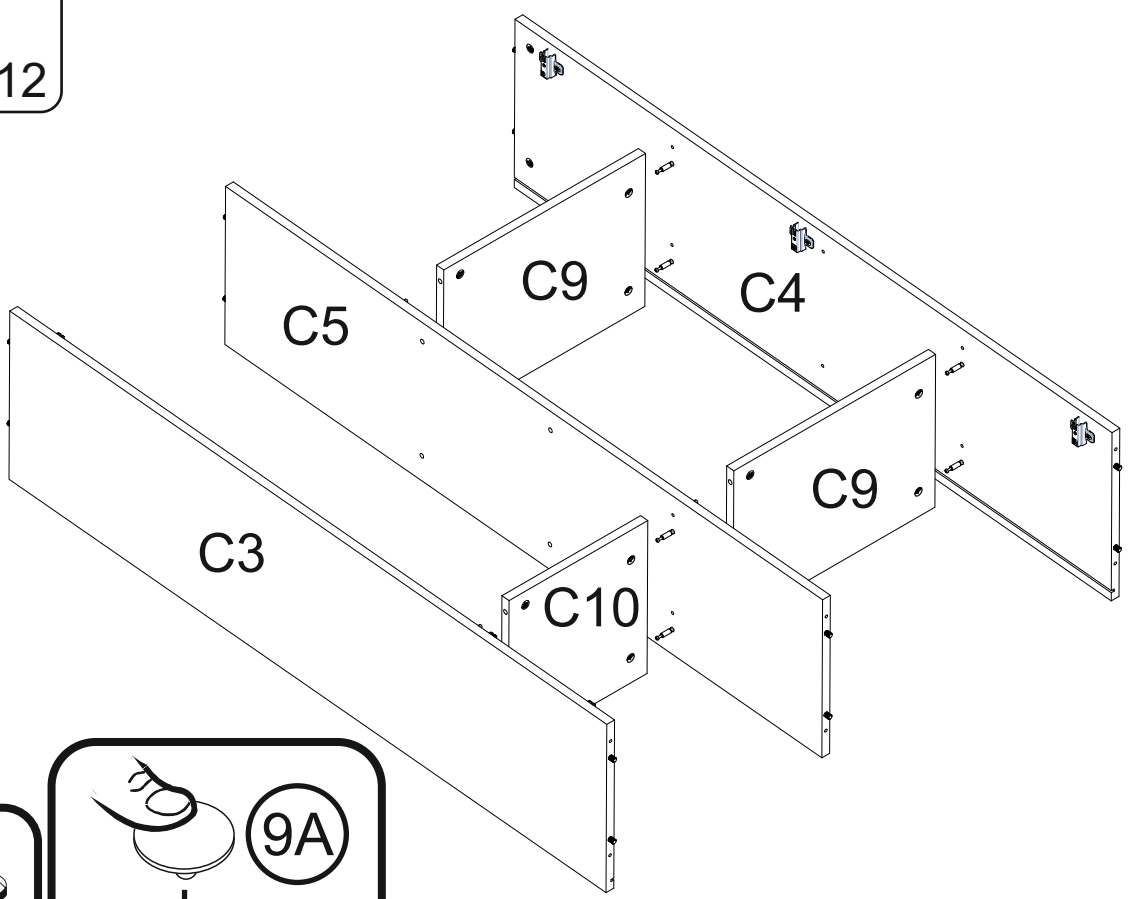


Colli nr 3

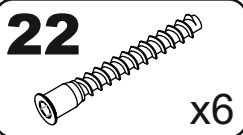


8

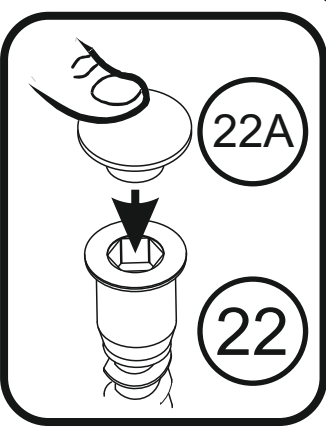
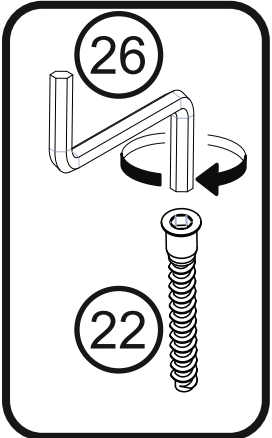
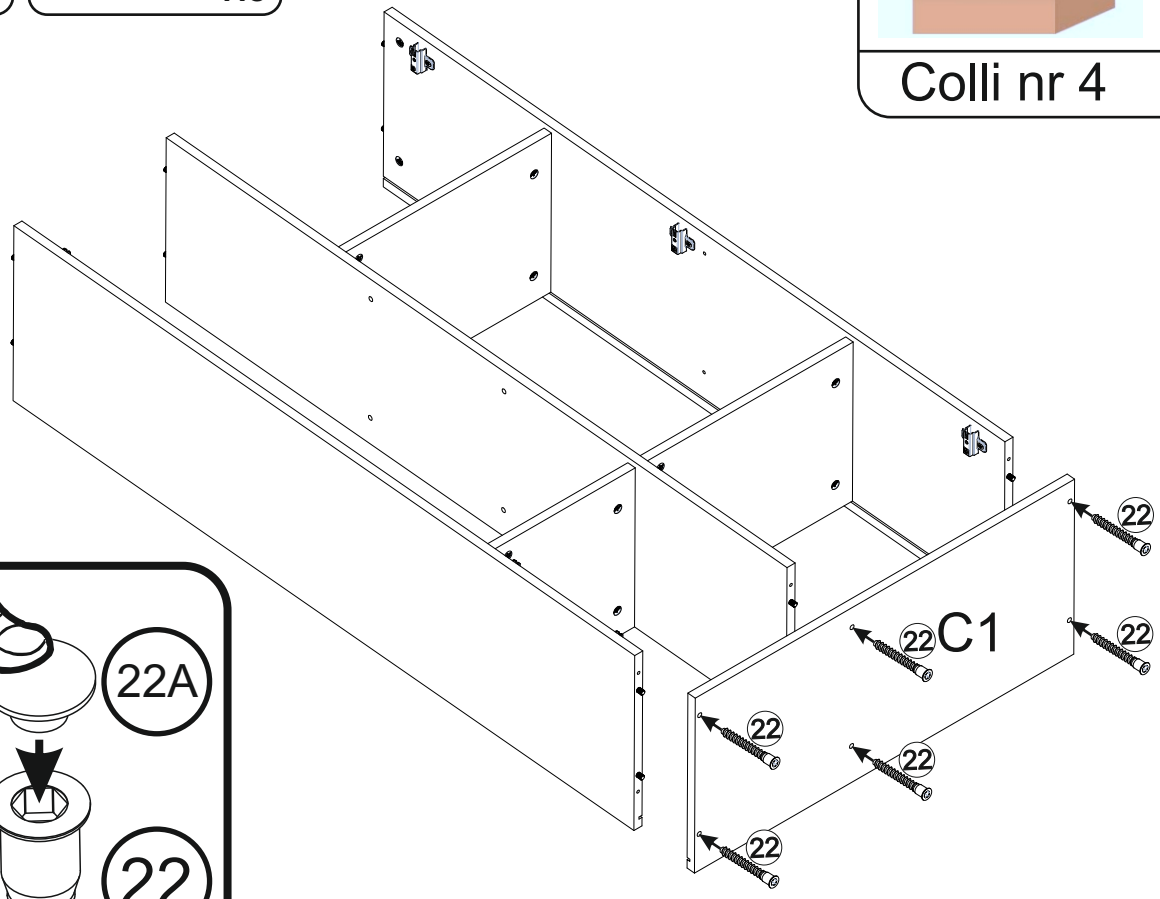
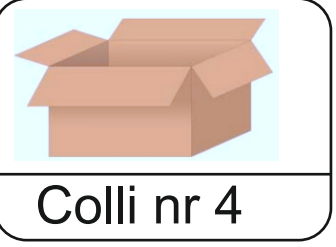
9A  x12



9



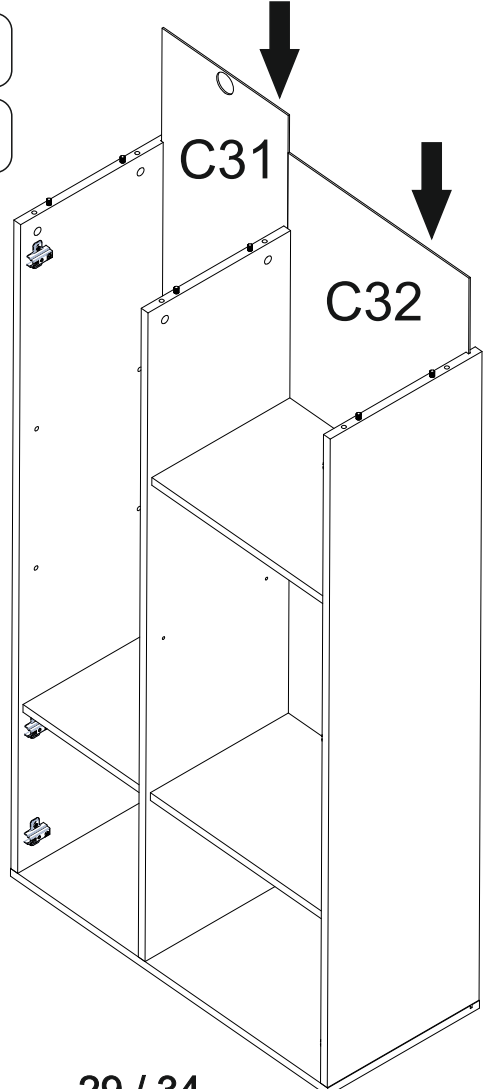
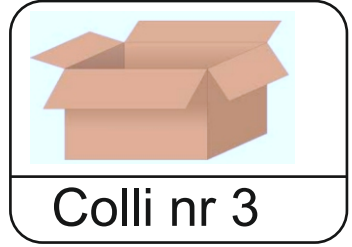
C1 752x330



10

C31 1352x299

C32 1352x429

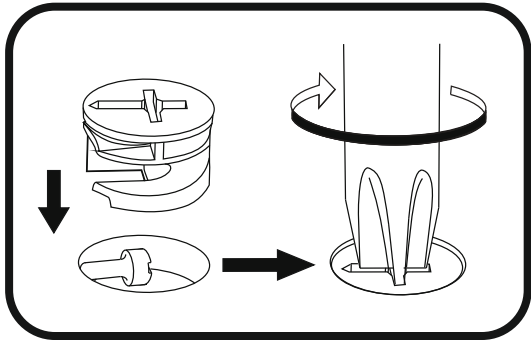
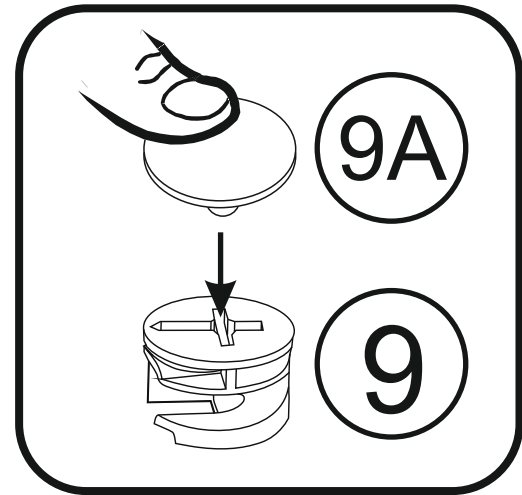
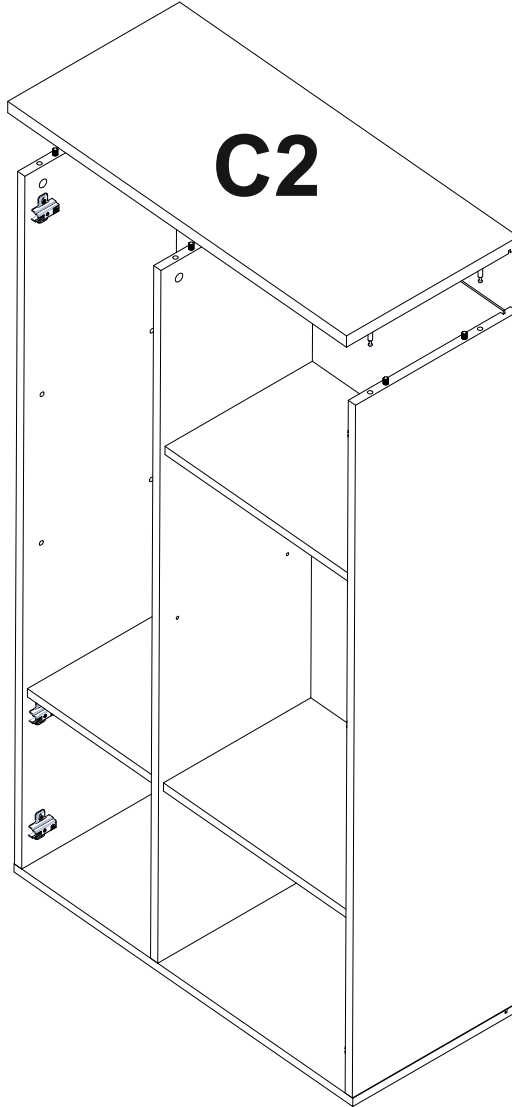


11

9A

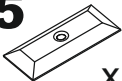


x6



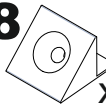
12

35



x13

38



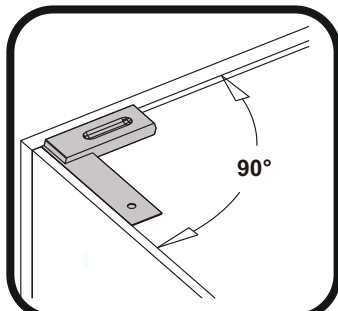
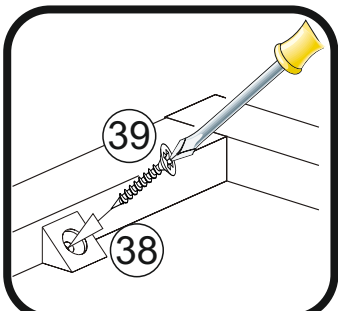
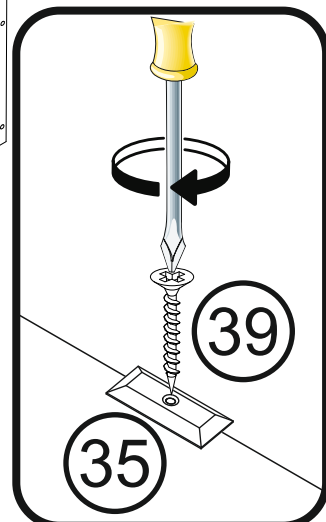
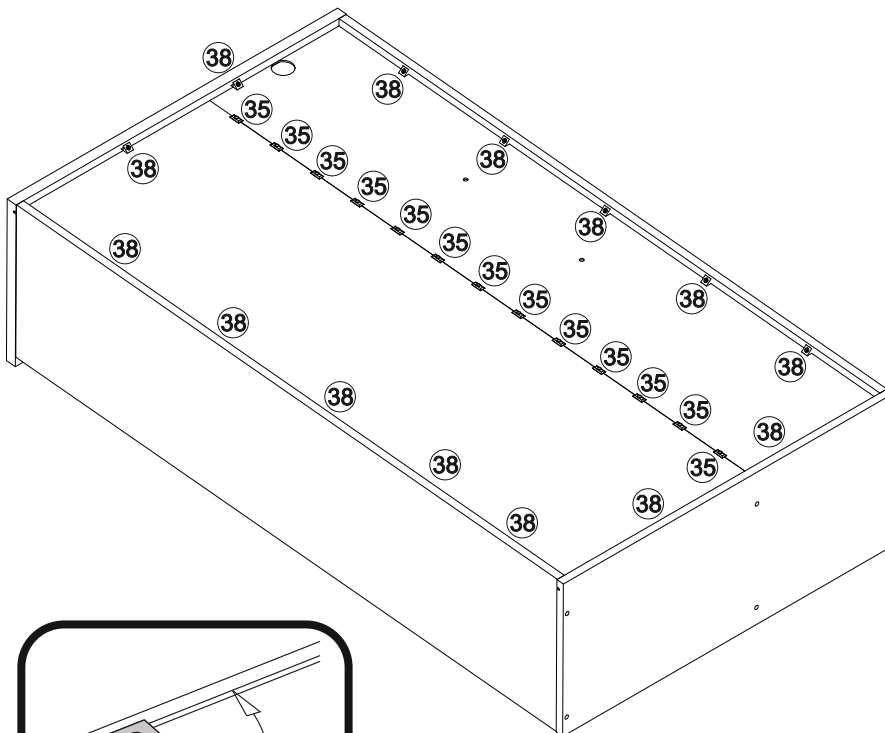
x14

39

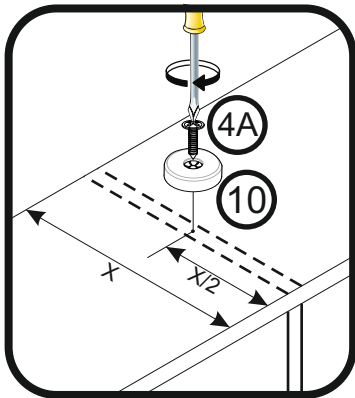
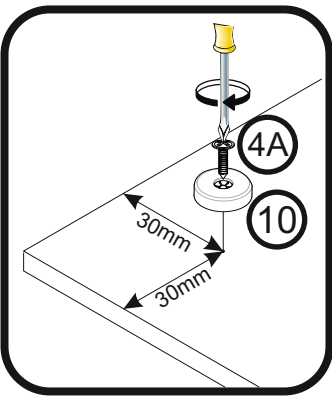
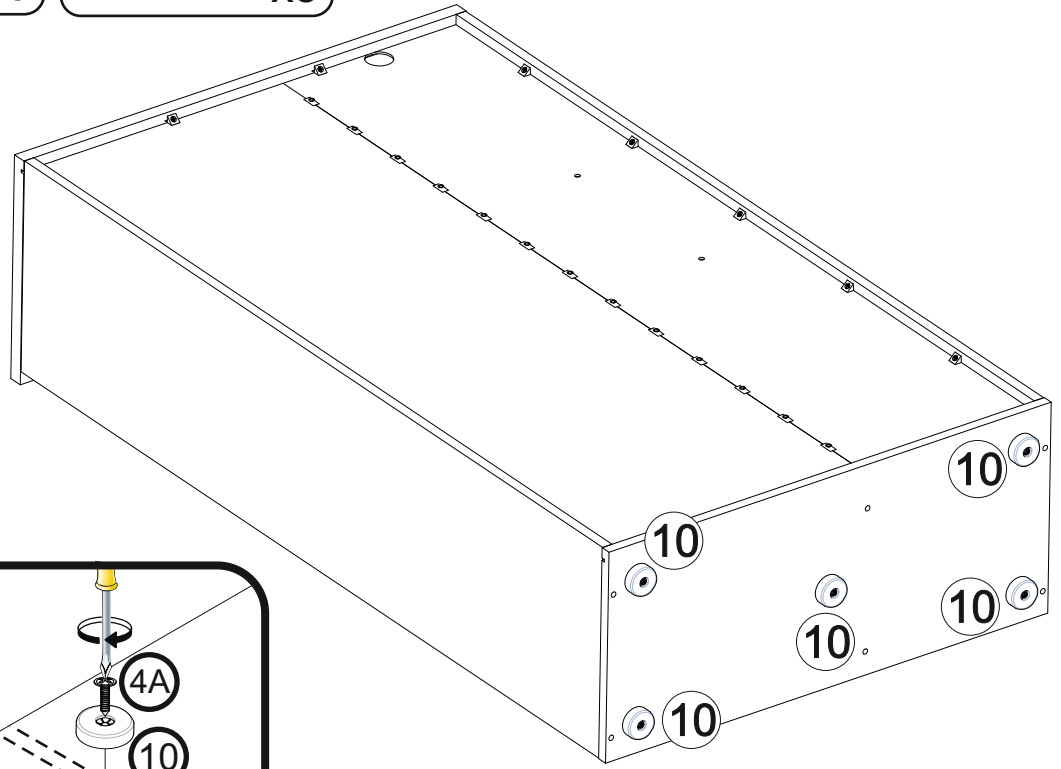
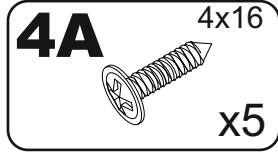
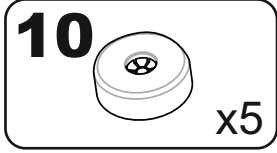


3x20

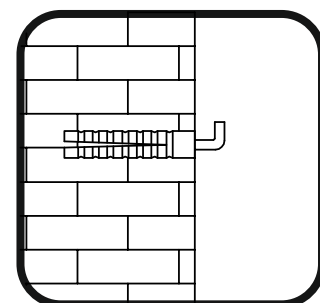
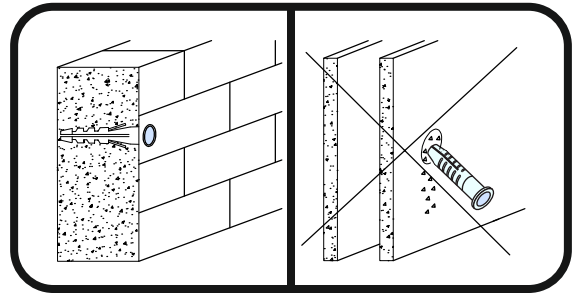
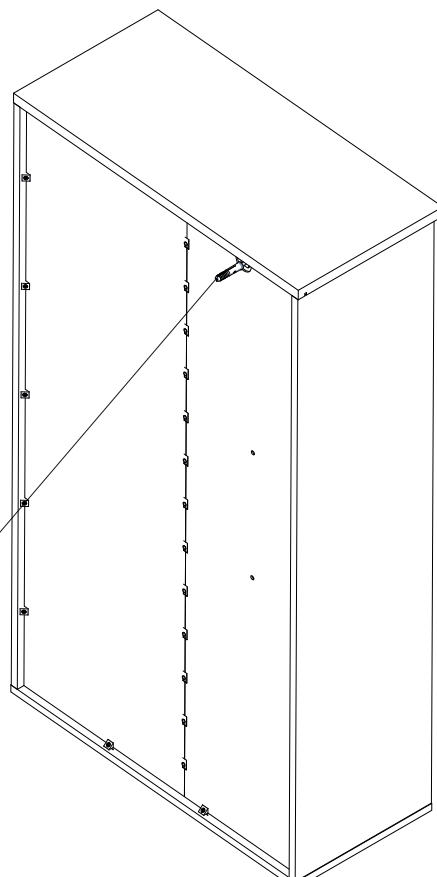
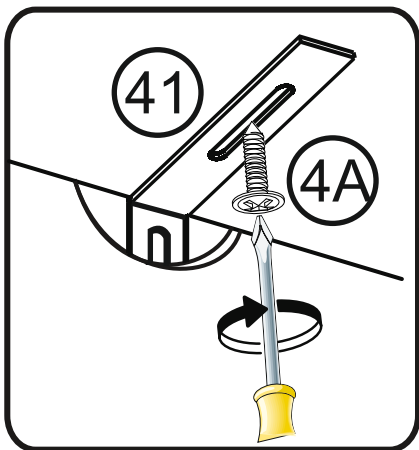
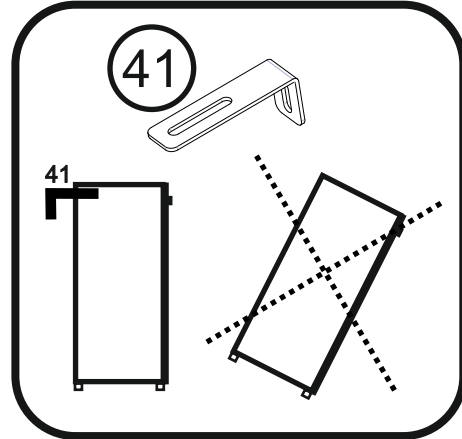
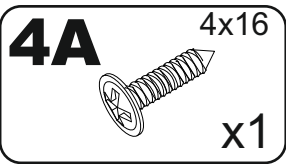
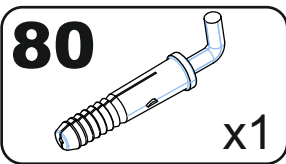
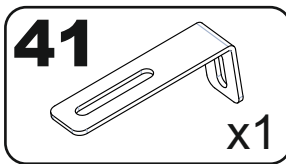
x27



13

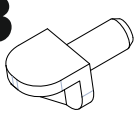


14



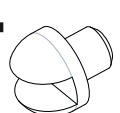
15

13



x4

14



x8

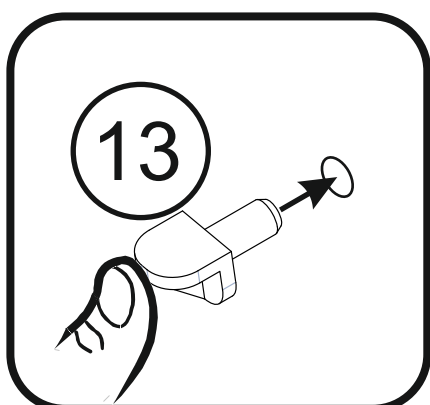
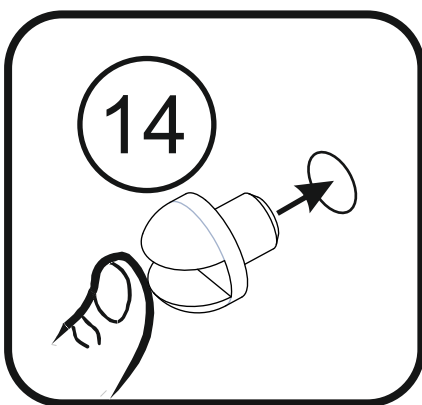
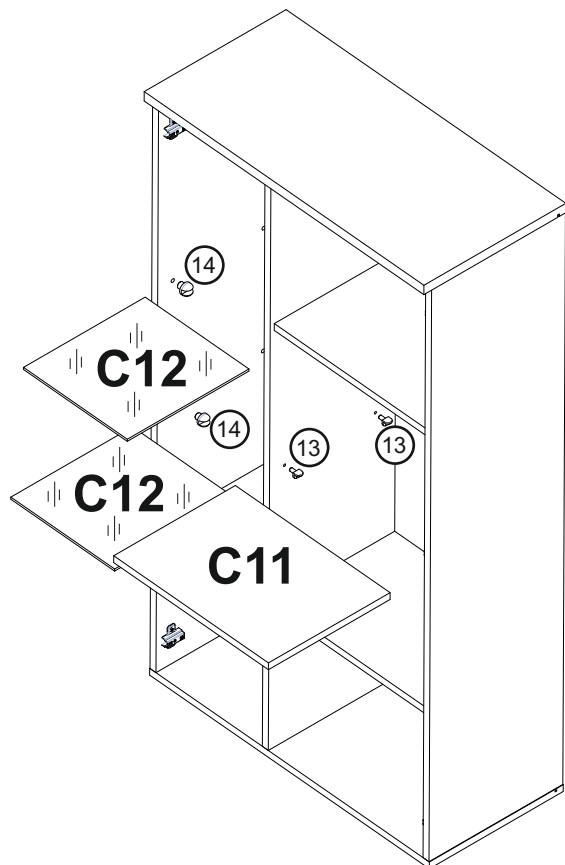
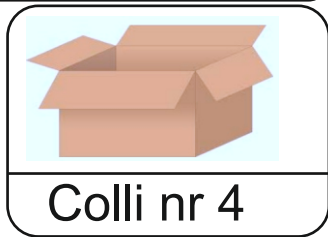
C11

416x300

C12

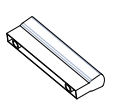
279x300

x2



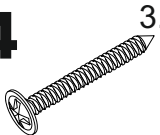
16

3

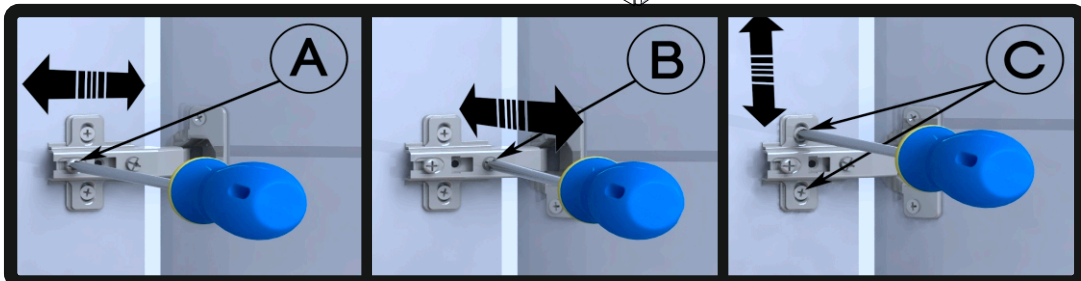
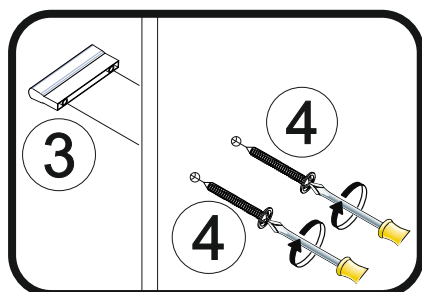
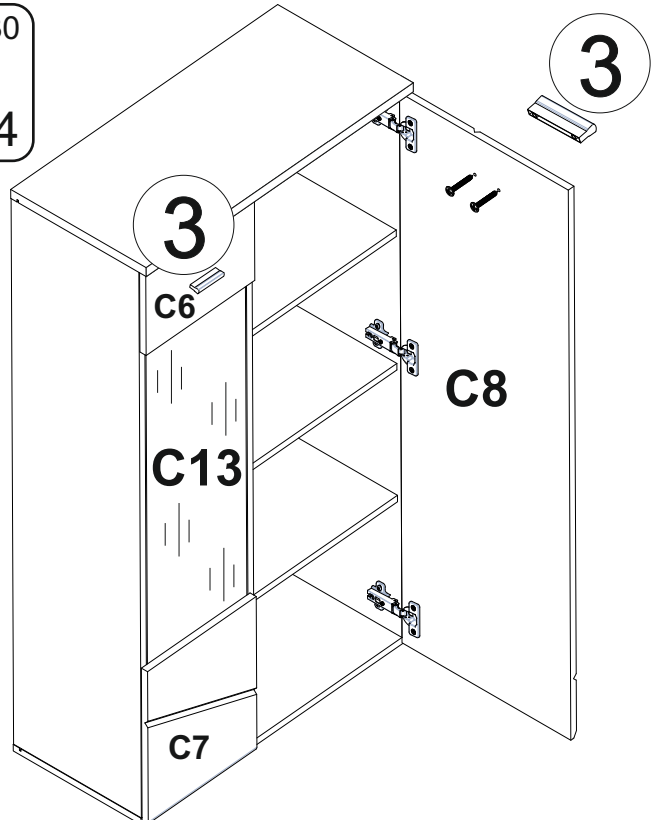


x2

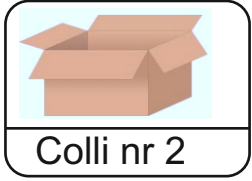
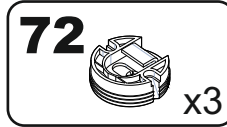
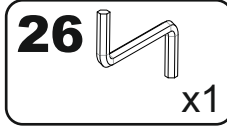
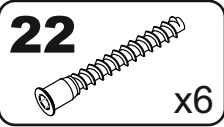
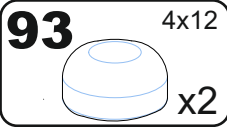
4



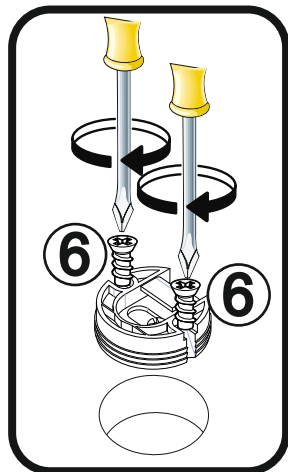
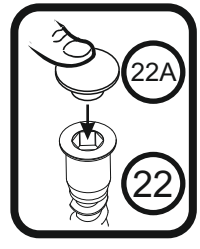
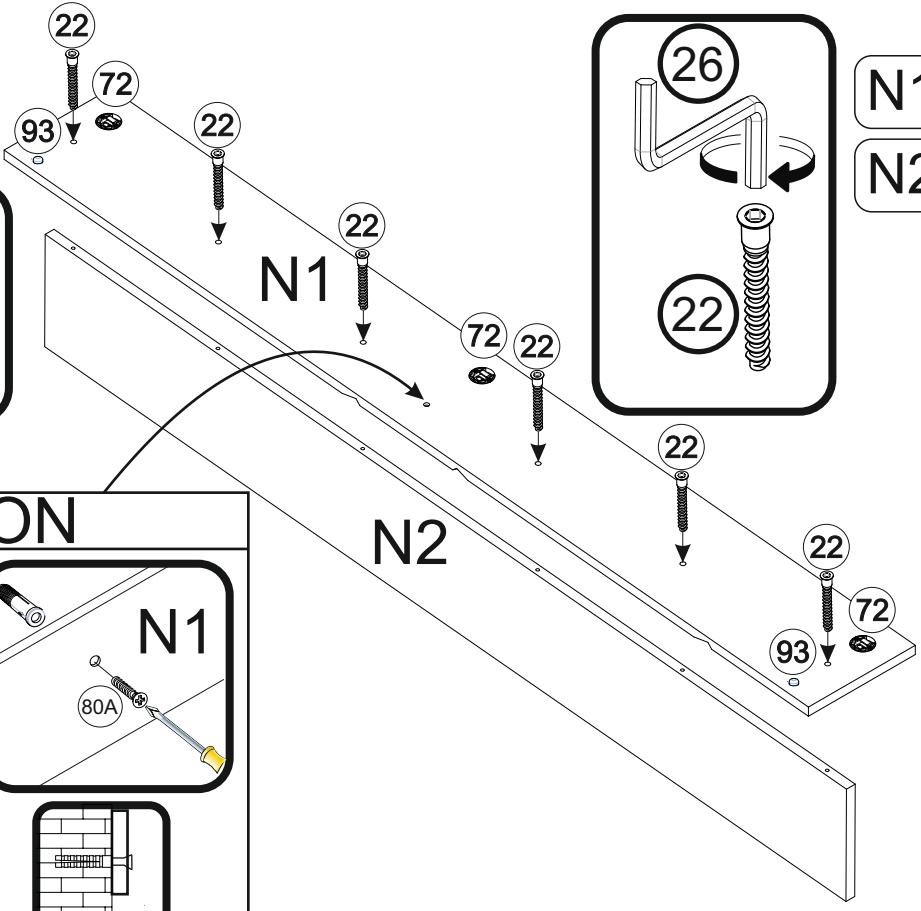
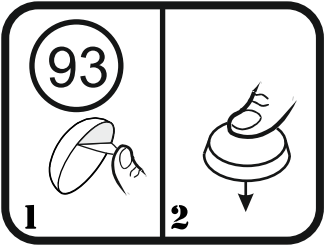
x4



1



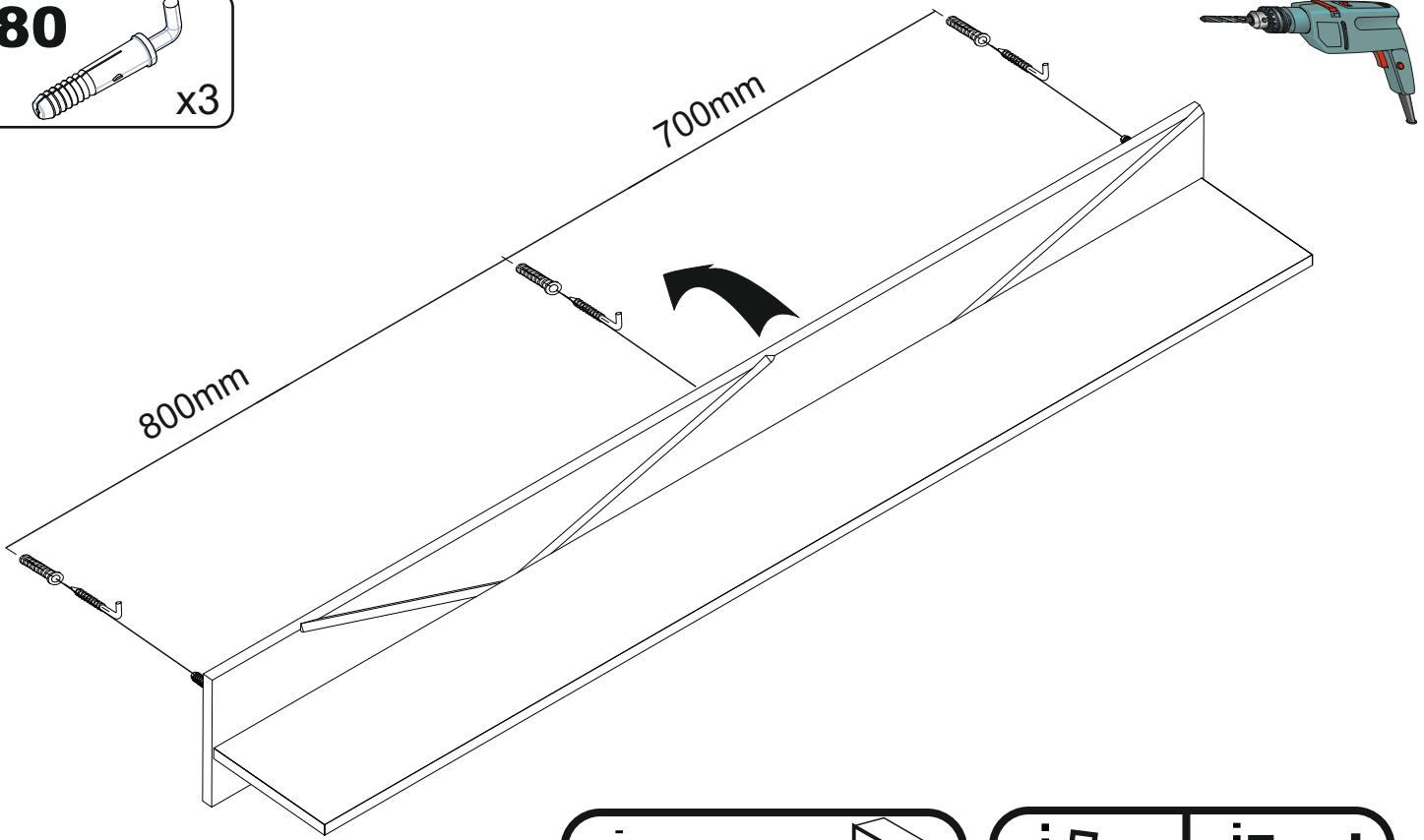
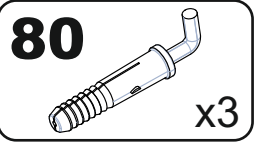
N1	1600x195
N2	1594x195



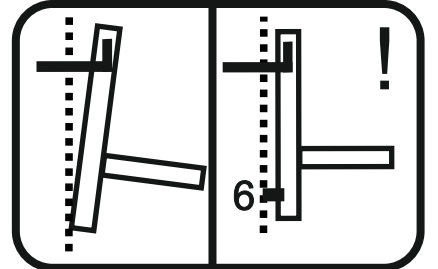
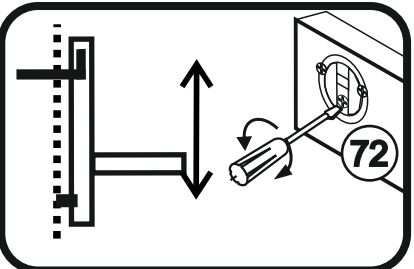
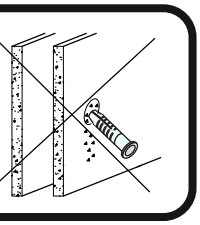
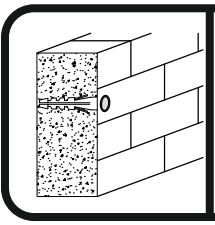
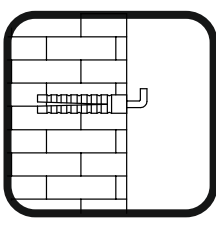
OPTION

Option diagrams show alternative installation methods for part N1. One method uses a drill and screw 80A. Another method shows the panel being attached to a wall. A third method shows the panel being attached to a brick wall.

2



33 / 34



ATTENTION!!!

Do not clean doors for 7 days after removing protection foil.
Foiled parts needs 7 days without protection foil to become tough.

