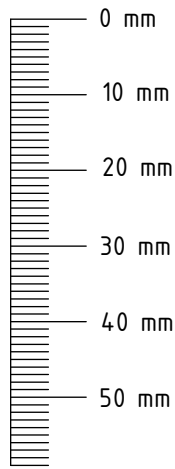
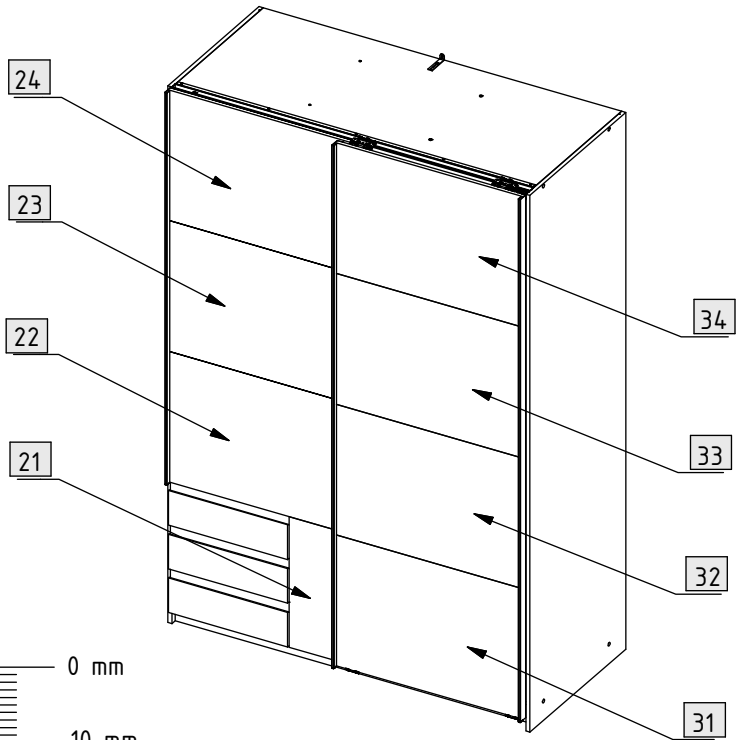


| | | | |
|----|--------|----|-------------------|
| | | | |
| 21 | 620124 | 1x | 246 x 479 x 15 mm |
| 22 | 635324 | 1x | 690 x 479 x 15 mm |
| 23 | 635324 | 1x | 690 x 479 x 15 mm |
| 24 | 635324 | 1x | 690 x 479 x 15 mm |
| 31 | 635324 | 1x | 690 x 479 x 15 mm |
| 32 | 635324 | 1x | 690 x 479 x 15 mm |
| 33 | 635324 | 1x | 690 x 479 x 15 mm |
| 34 | 635324 | 1x | 690 x 479 x 15 mm |

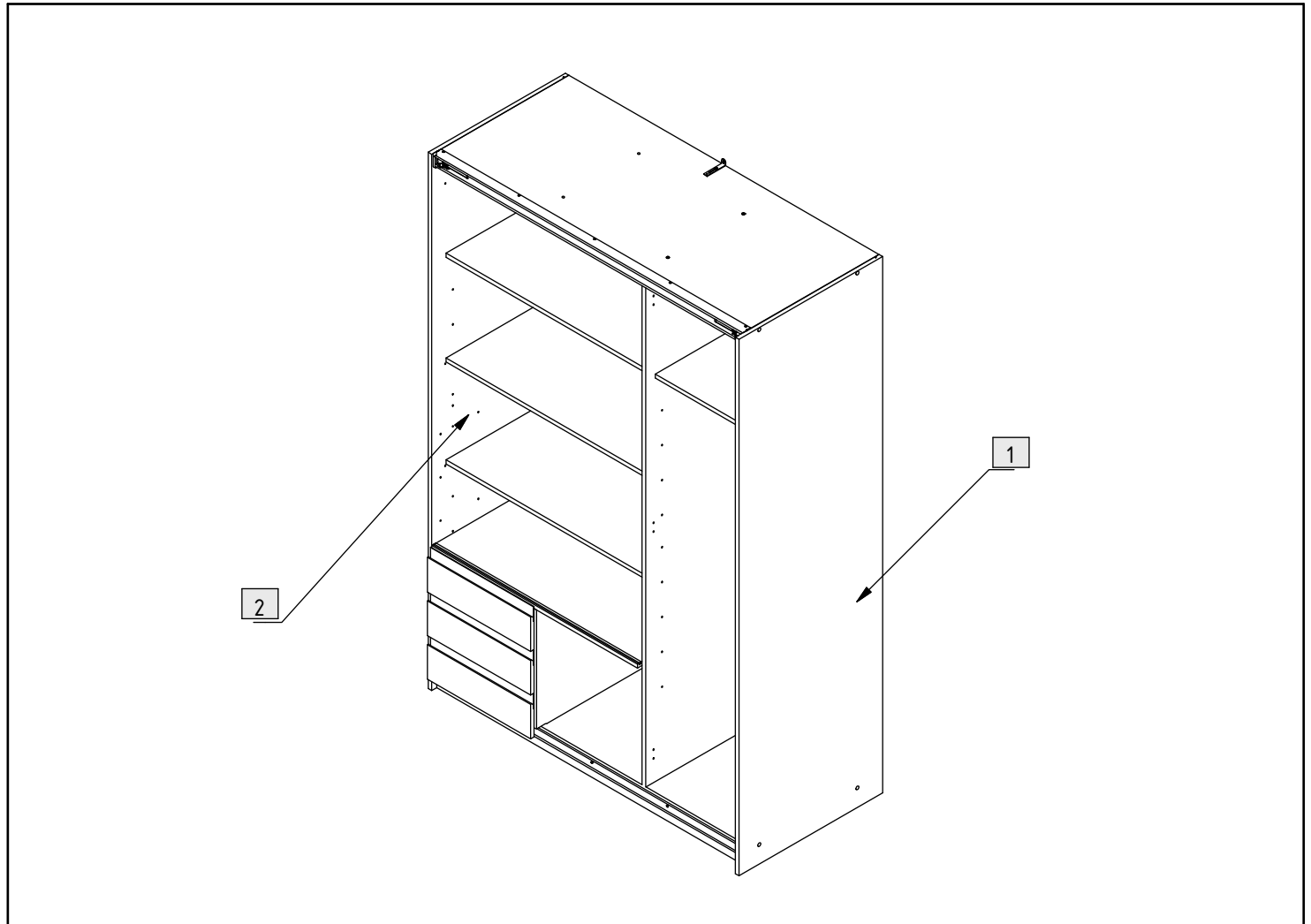
21 + 22 + 23 + 24

| | | | |
|-----|----|--|---------------|
| 230 | 4 | | |
| 281 | 1 | | |
| 304 | 10 | | 6,3 x 10,5 mm |
| 351 | 16 | | 3,5 x 15 mm |
| 382 | 22 | | 4 x 13 mm |
| 777 | 1 | | |
| 778 | 1 | | |
| 781 | 2 | | |
| 783 | 2 | | |
| 801 | 1 | | L = 1915 mm |
| 826 | 1 | | L = 1436 mm |
| 859 | 1 | | |

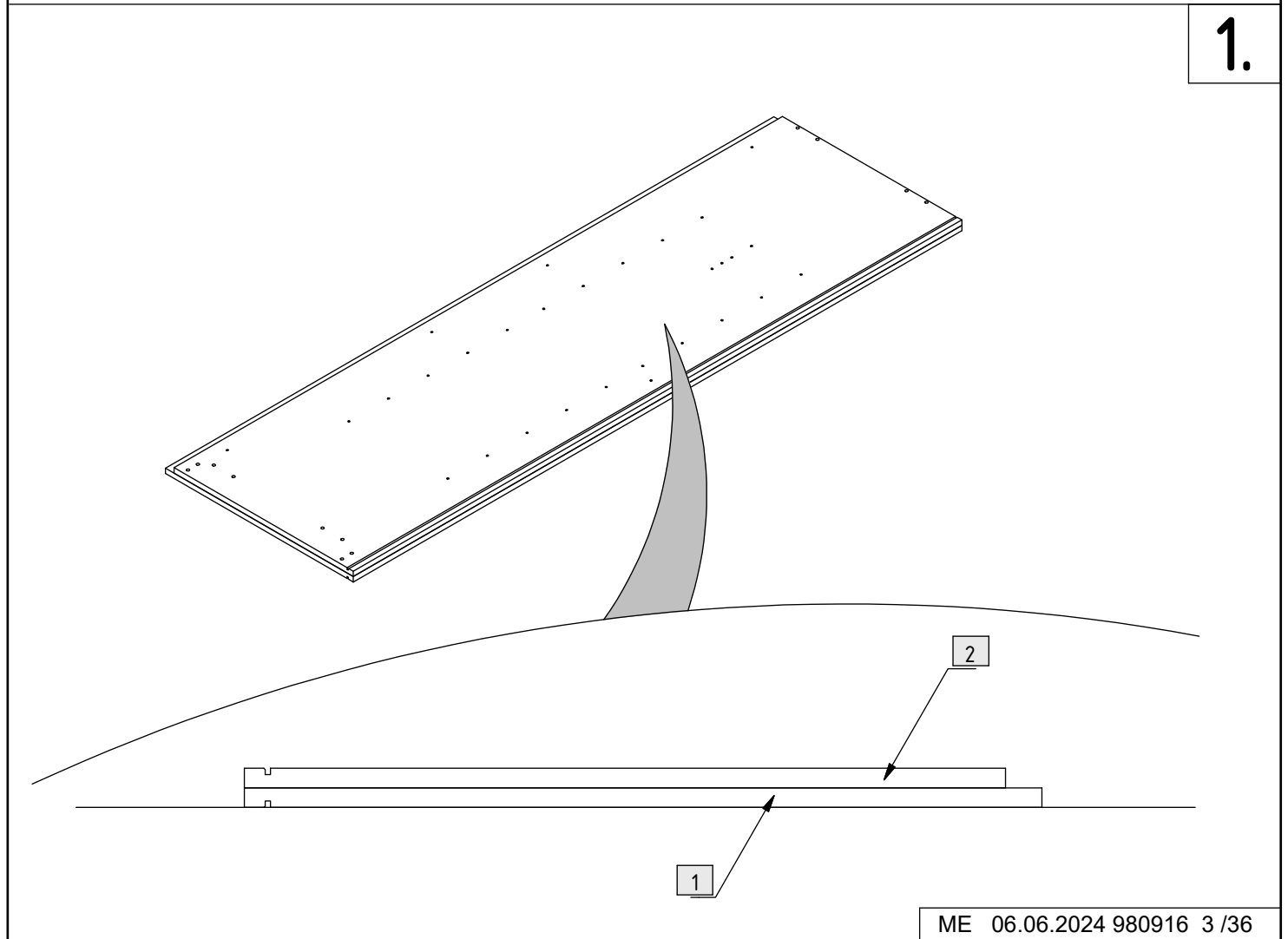


31 + 32 + 33 + 34

| | | | |
|-----|----|--|---------------|
| 230 | 3 | | |
| 304 | 10 | | 6,3 x 10,5 mm |
| 351 | 12 | | 3,5 x 15 mm |
| 382 | 22 | | 4 x 13 mm |
| 779 | 1 | | |
| 780 | 1 | | |
| 782 | 2 | | |
| 783 | 2 | | |
| 800 | 2 | | L = 1915 mm |
| 859 | 2 | | |

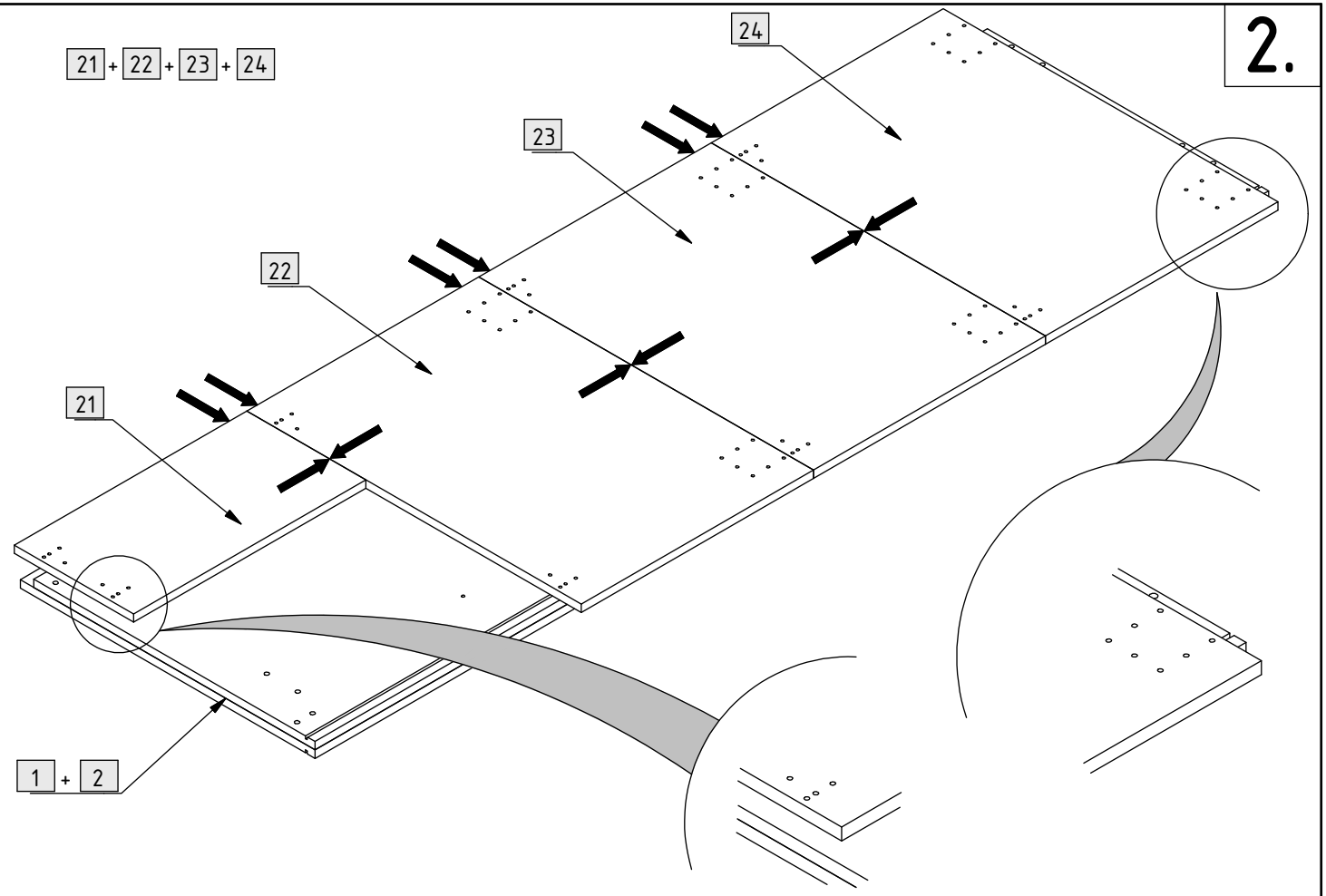


1.


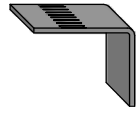
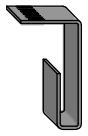


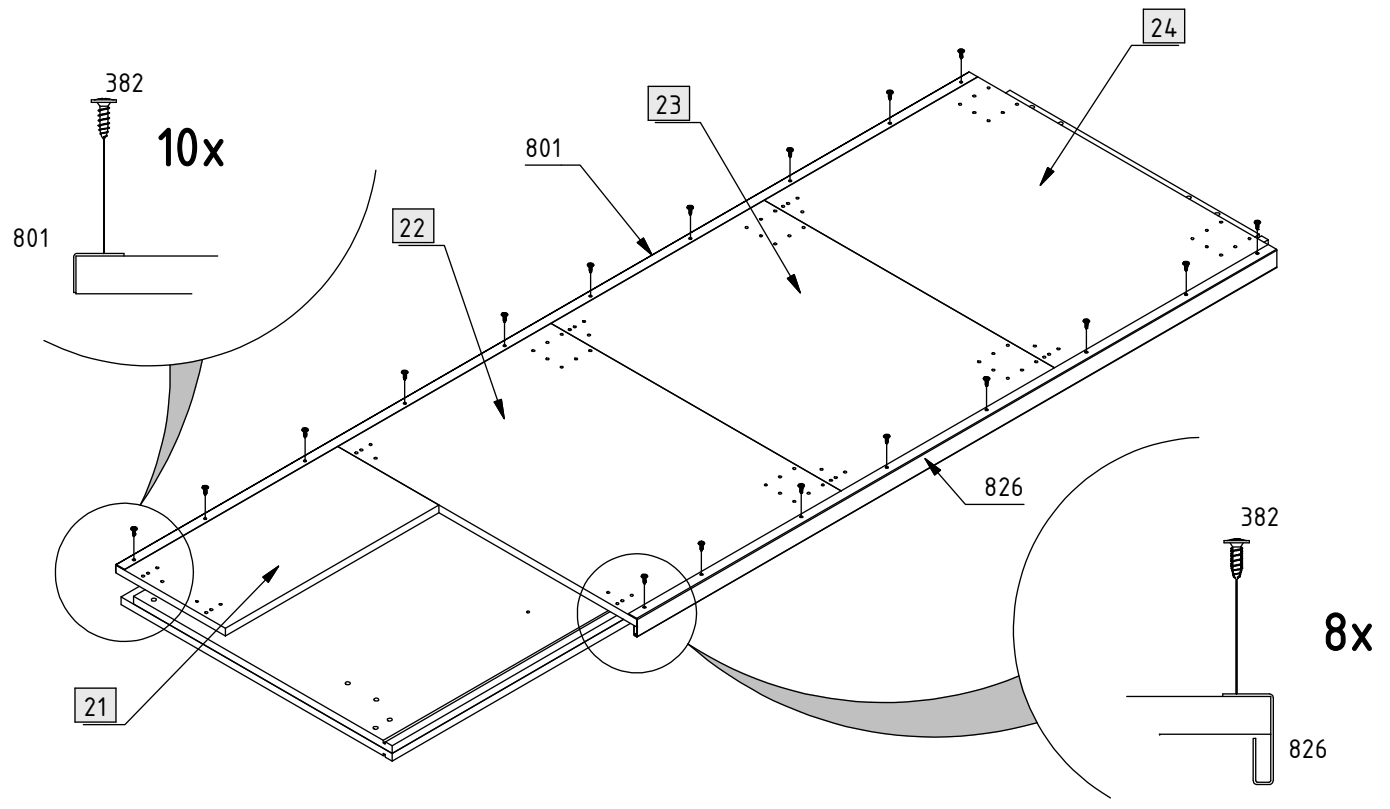
2.

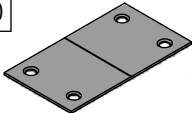

21 + 22 + 23 + 24



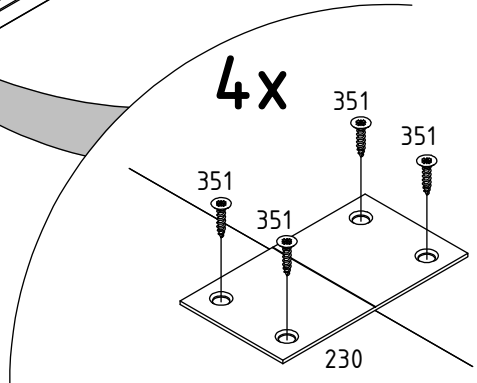
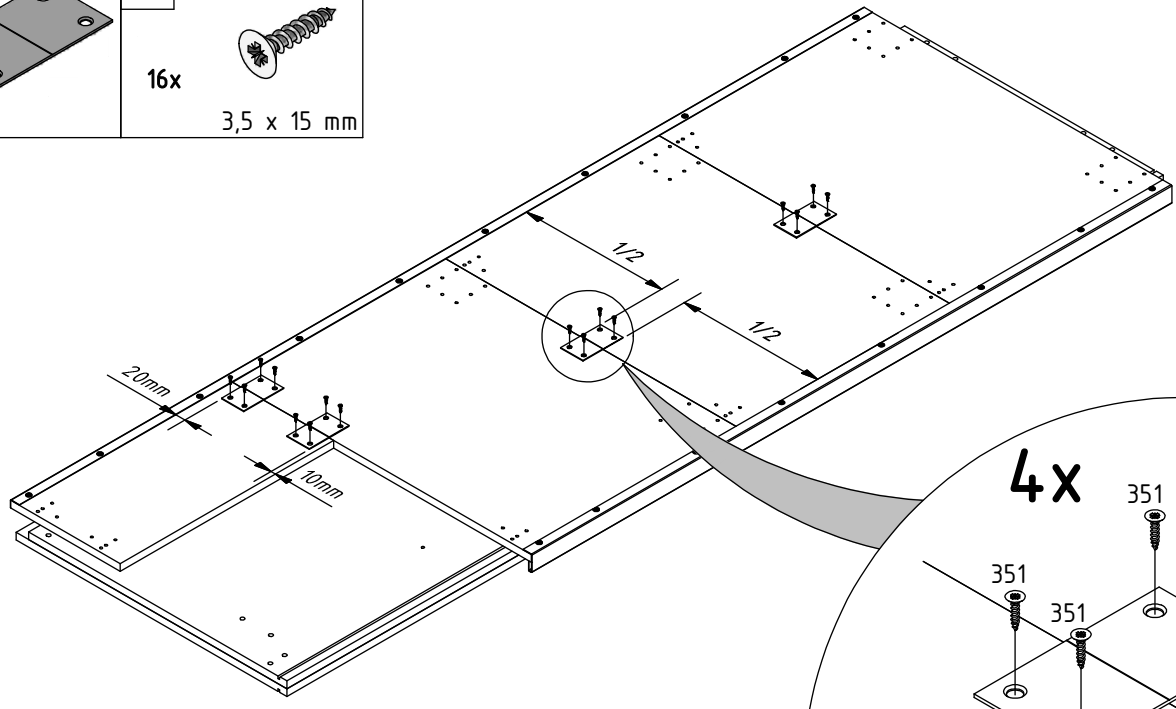
3.


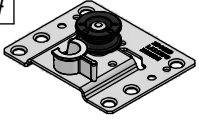
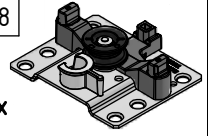

| | | | | | |
|-----|---|-----|---|-----|---|
| 382 |  | 801 |  | 826 |  |
| 18x | 4 x 13 mm | 1x | L=1915 mm | 1x | L=1436 mm |



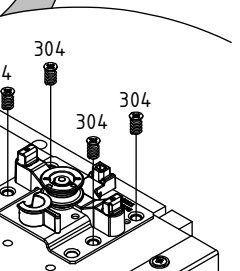
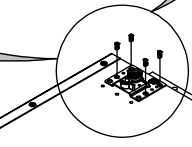
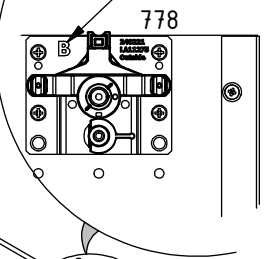
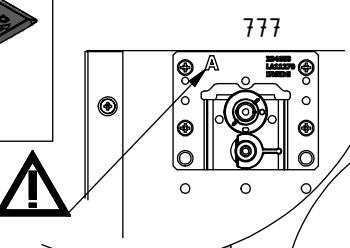
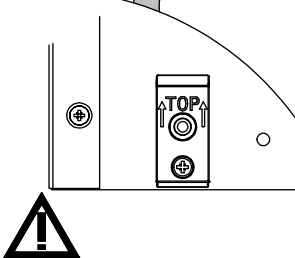
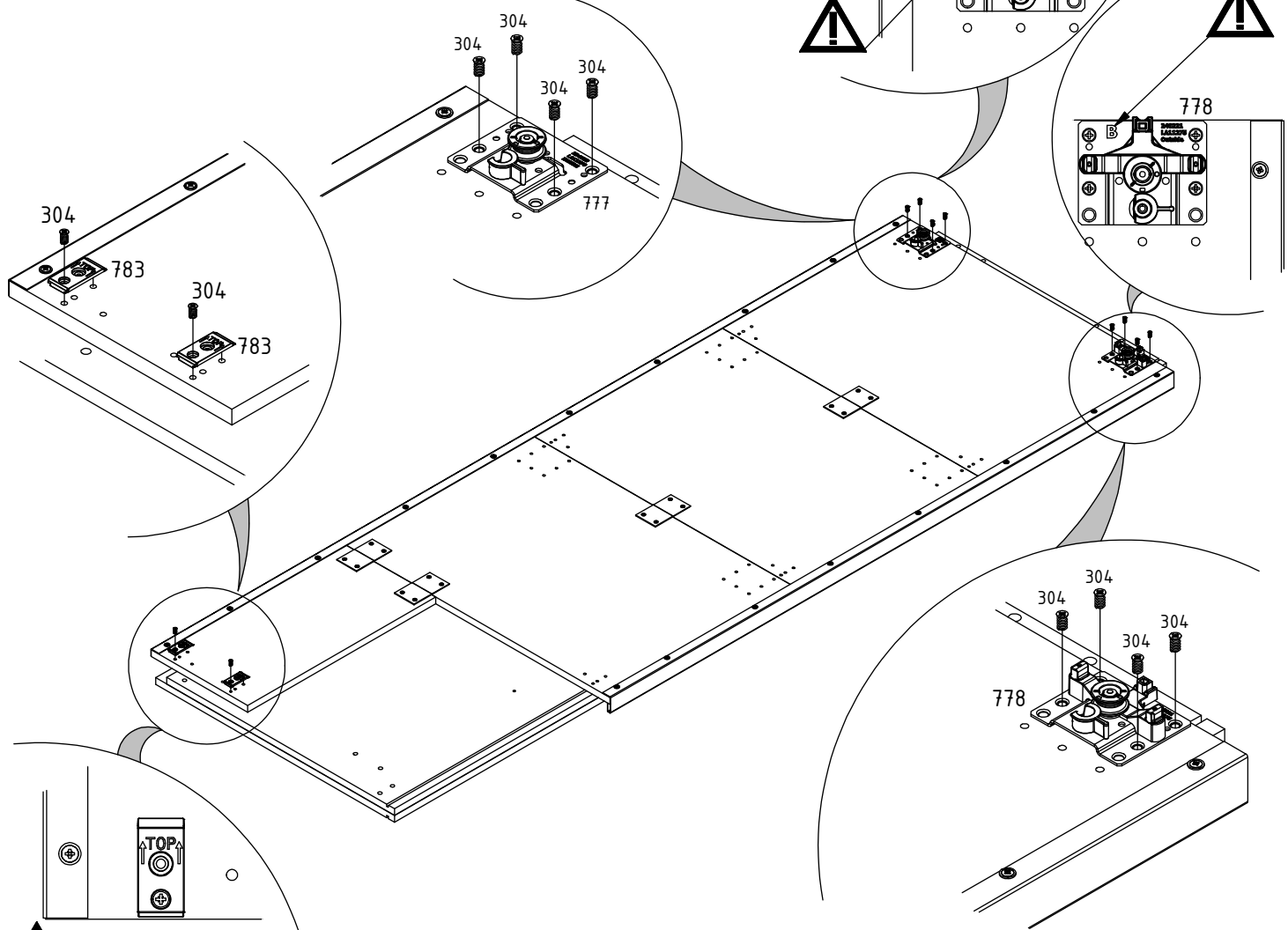
- 230 4x 
- 351 16x  3,5 x 15 mm

4.



- 304 10x  6,3 x 10,5 mm
- 777 1x 
- 778 1x 
- 783 2x 

5.



382

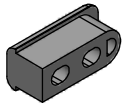
2x



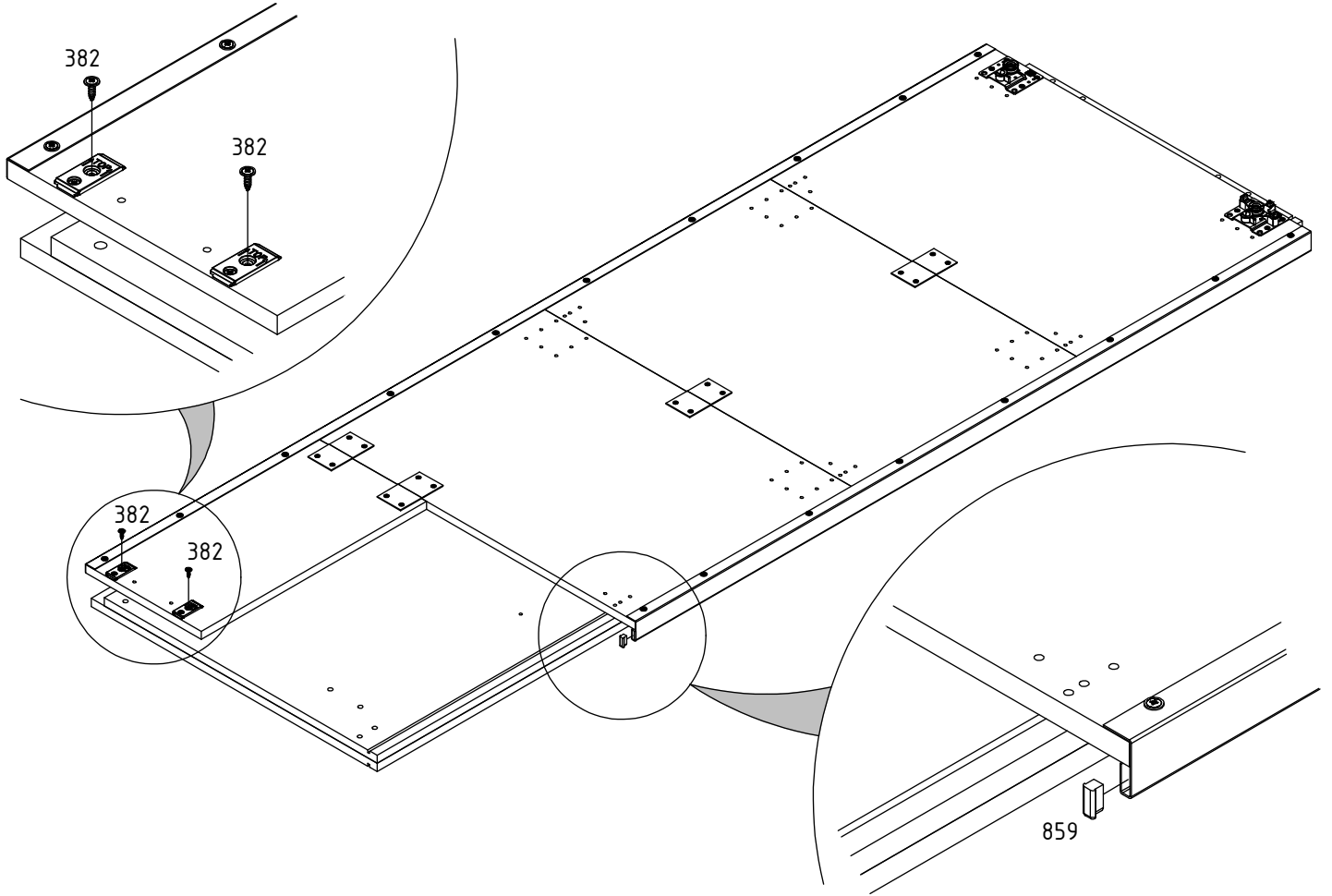
4 x 13 mm

859

1x

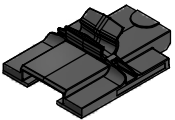


6.

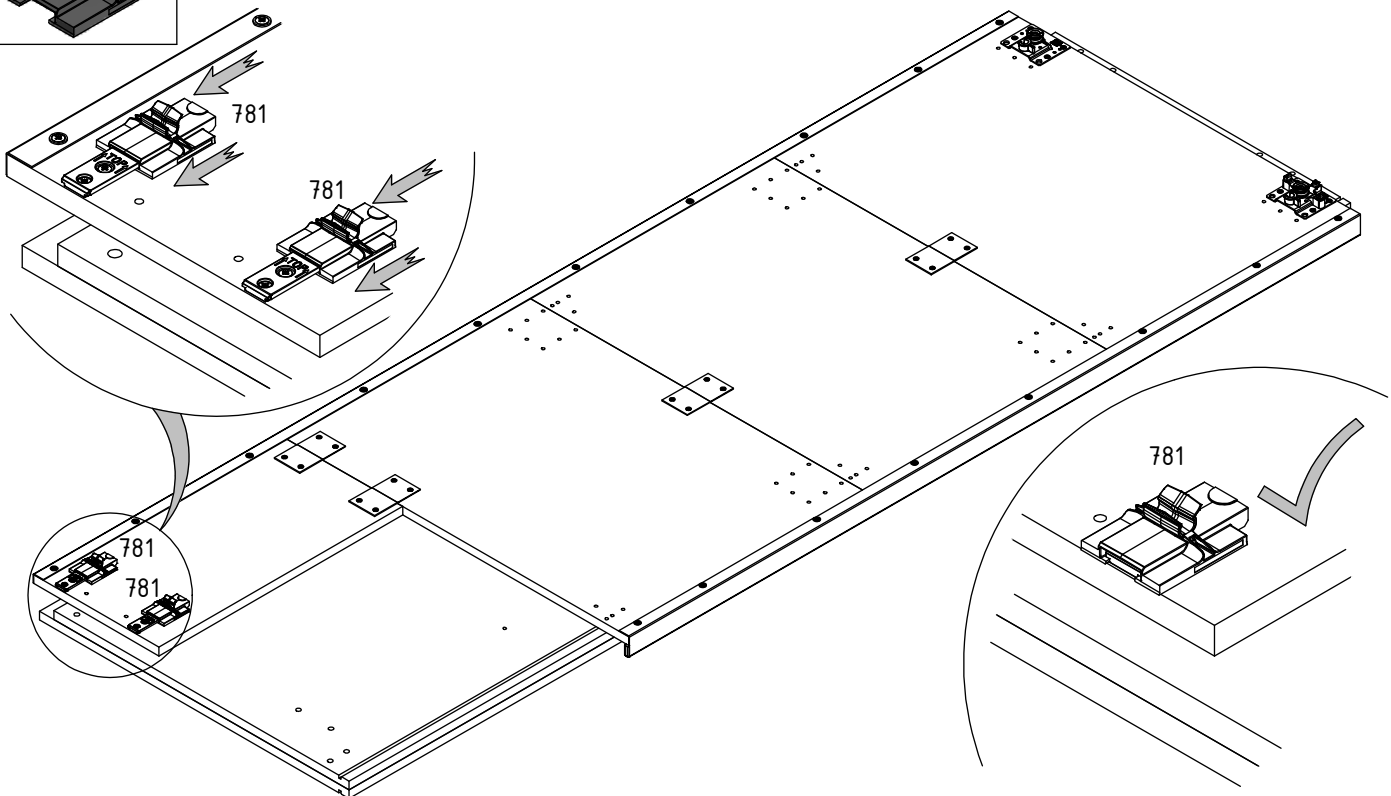


781

2x

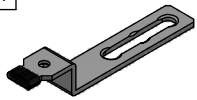


7.



281

1x



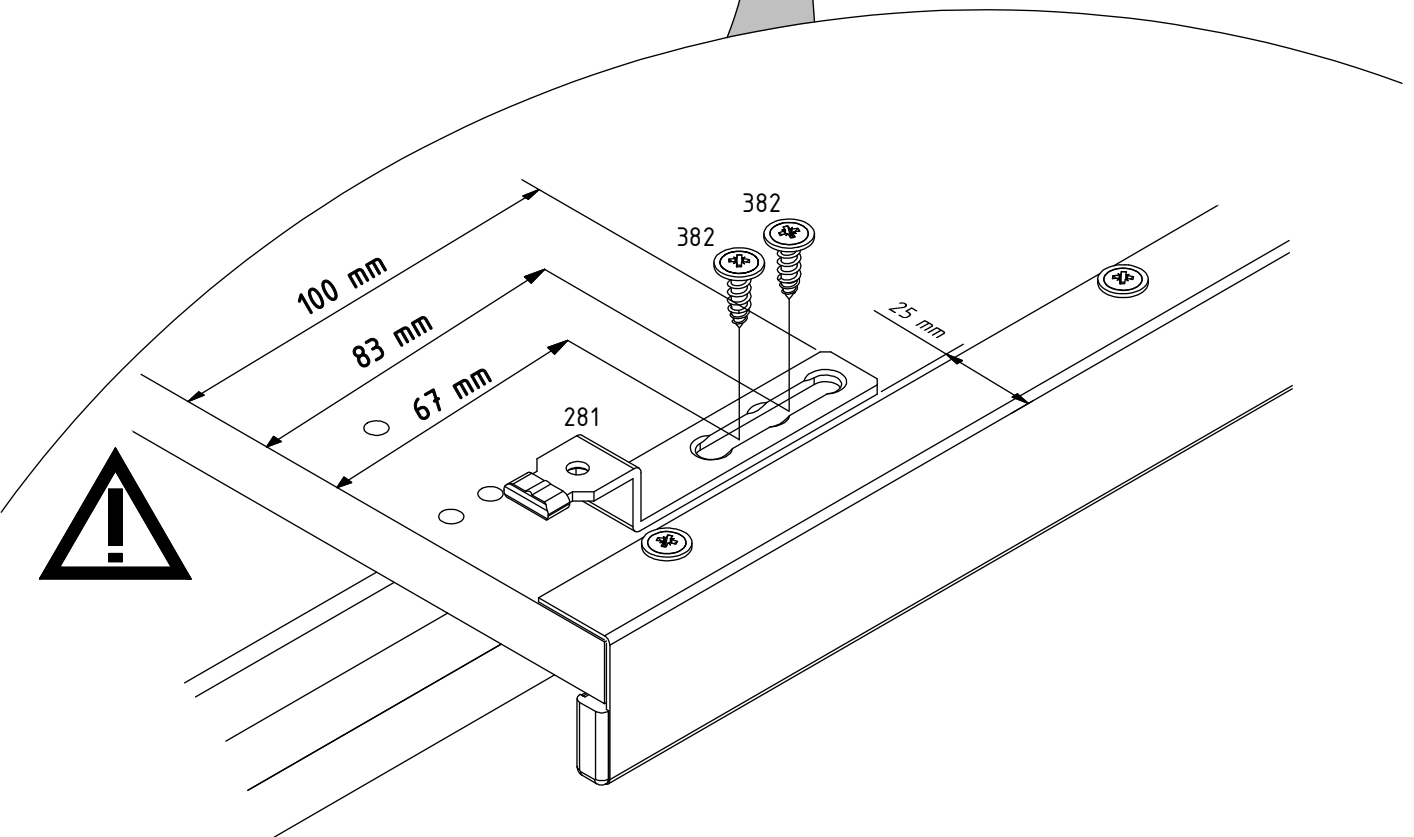
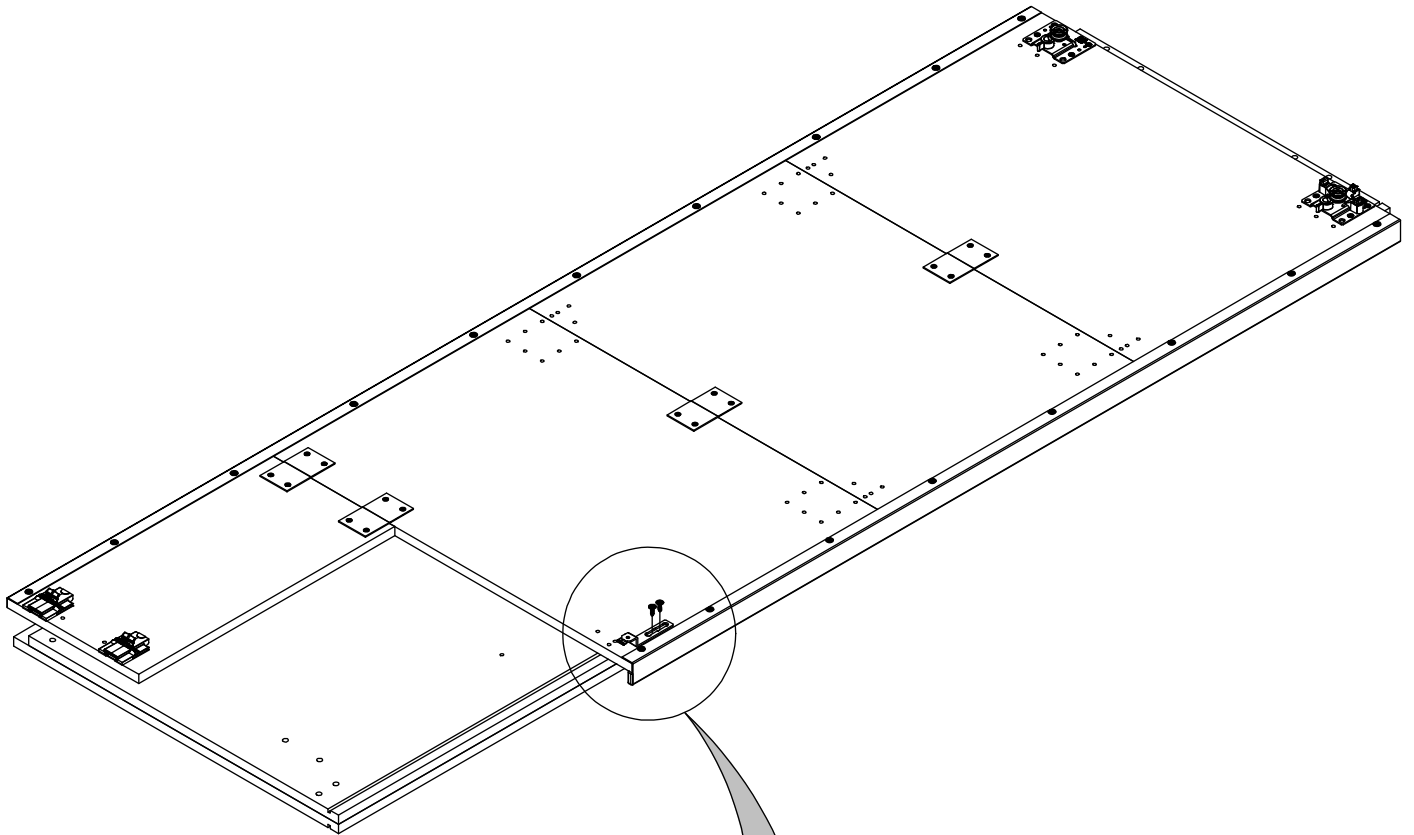
382

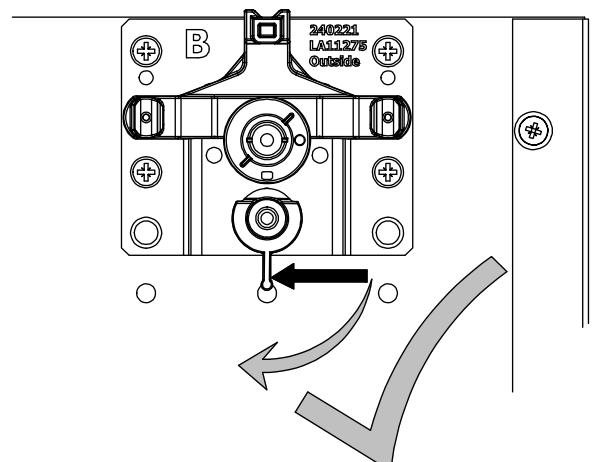
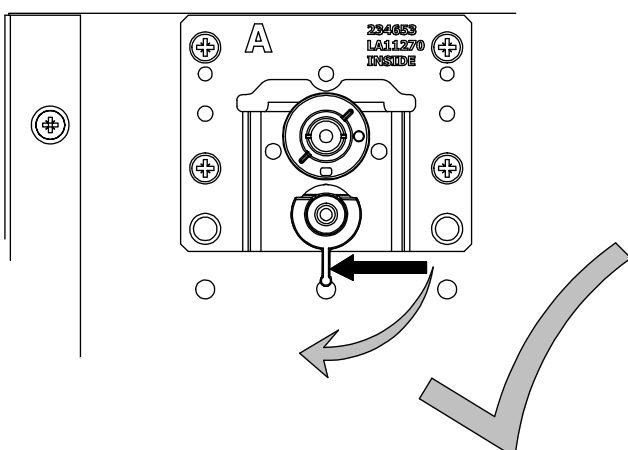
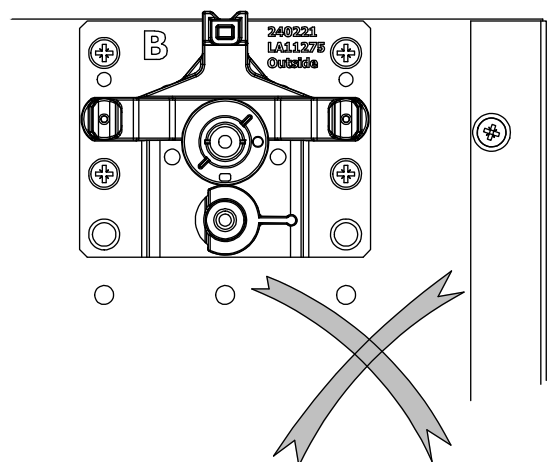
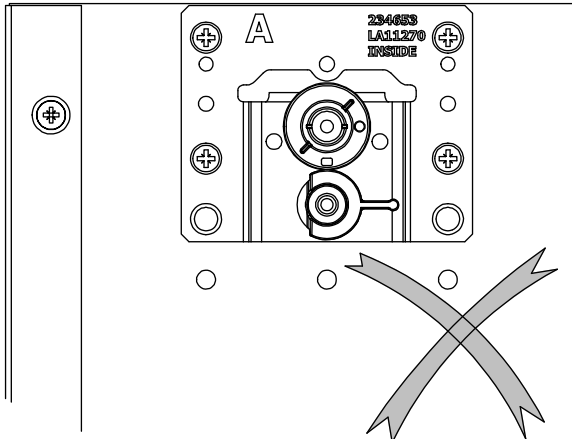
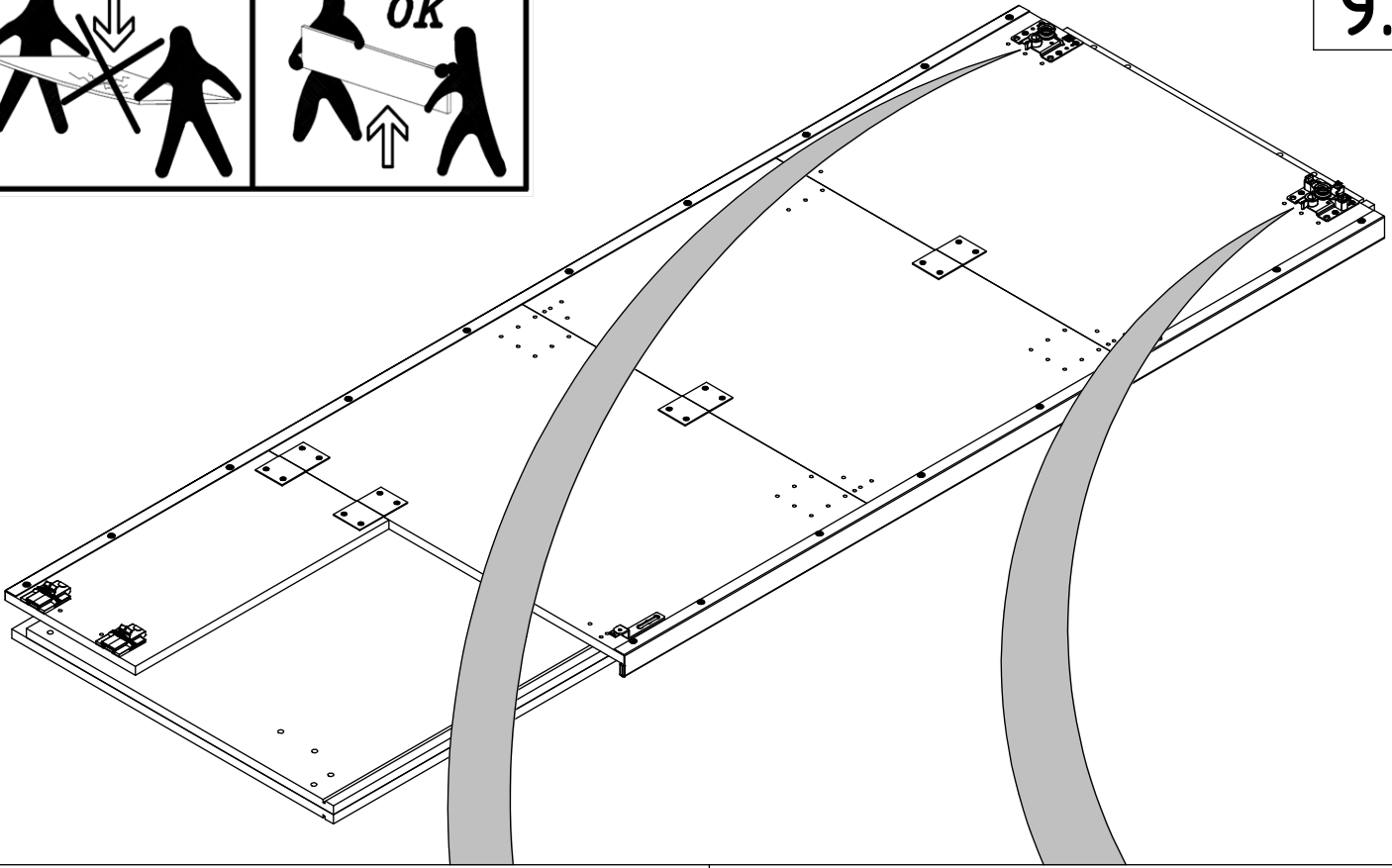
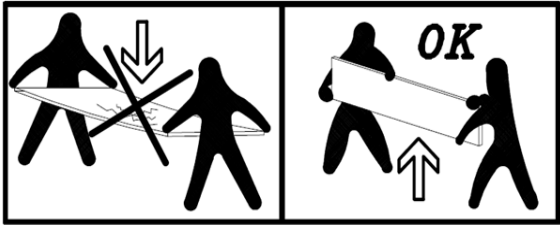
2x



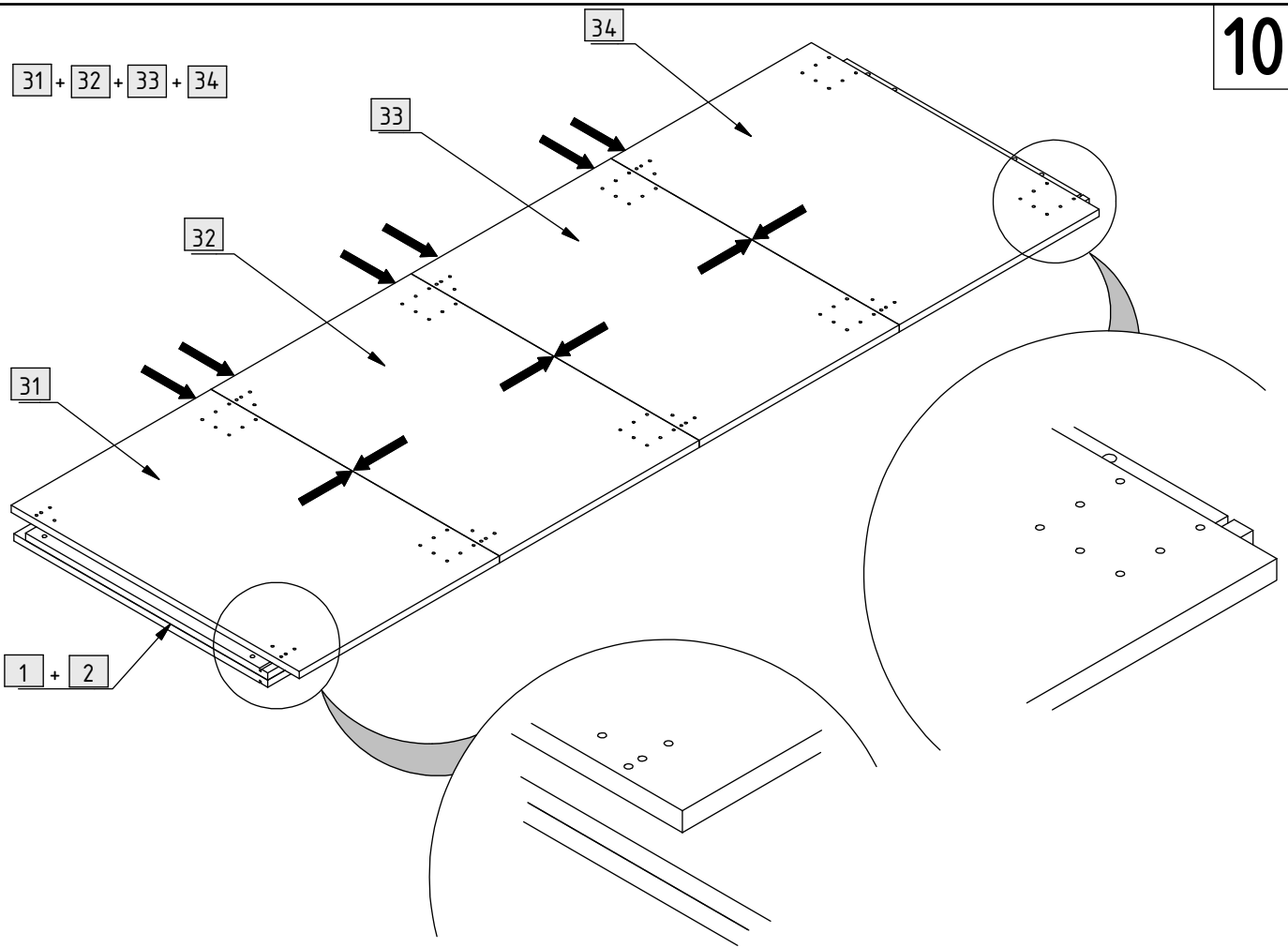
4 x 13 mm


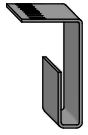
8.



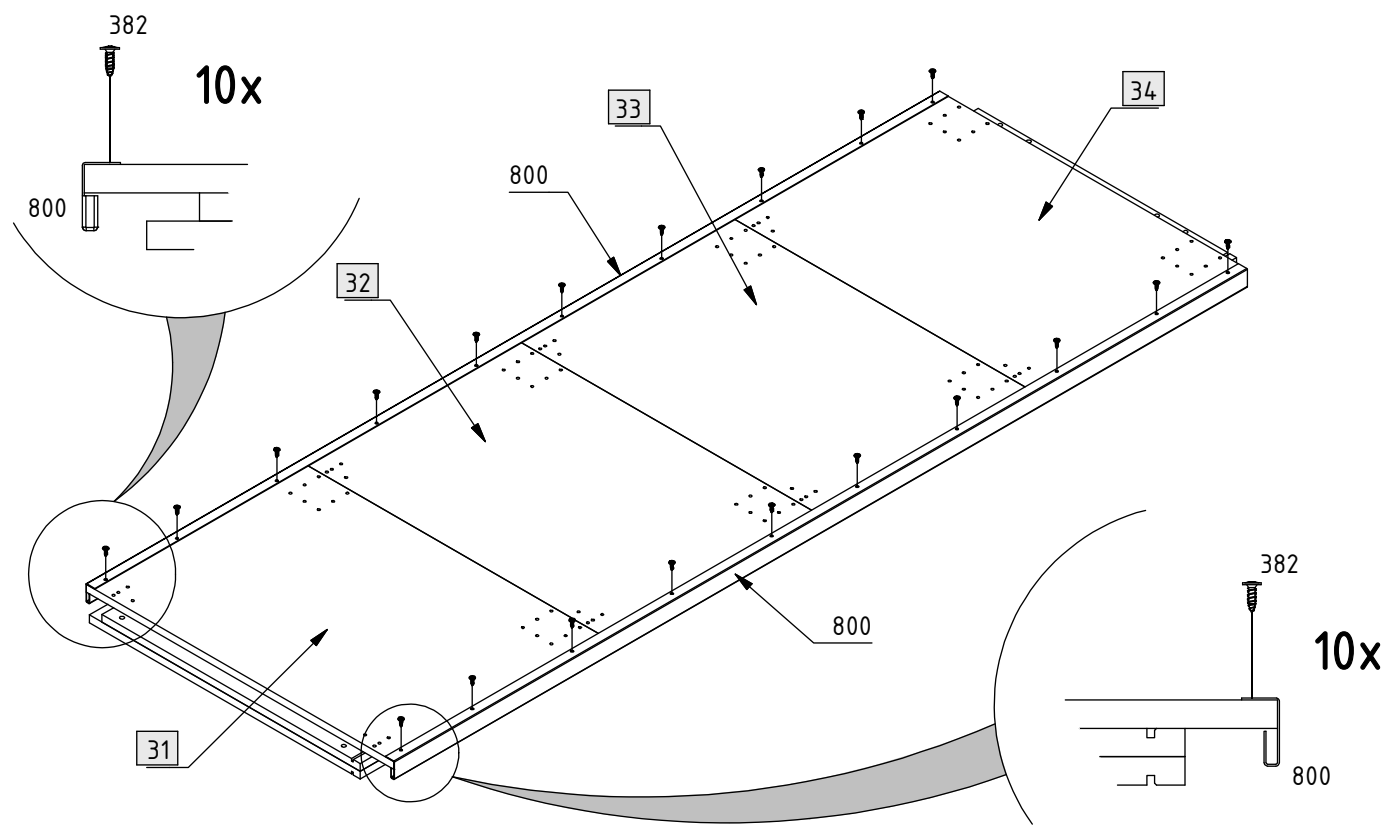


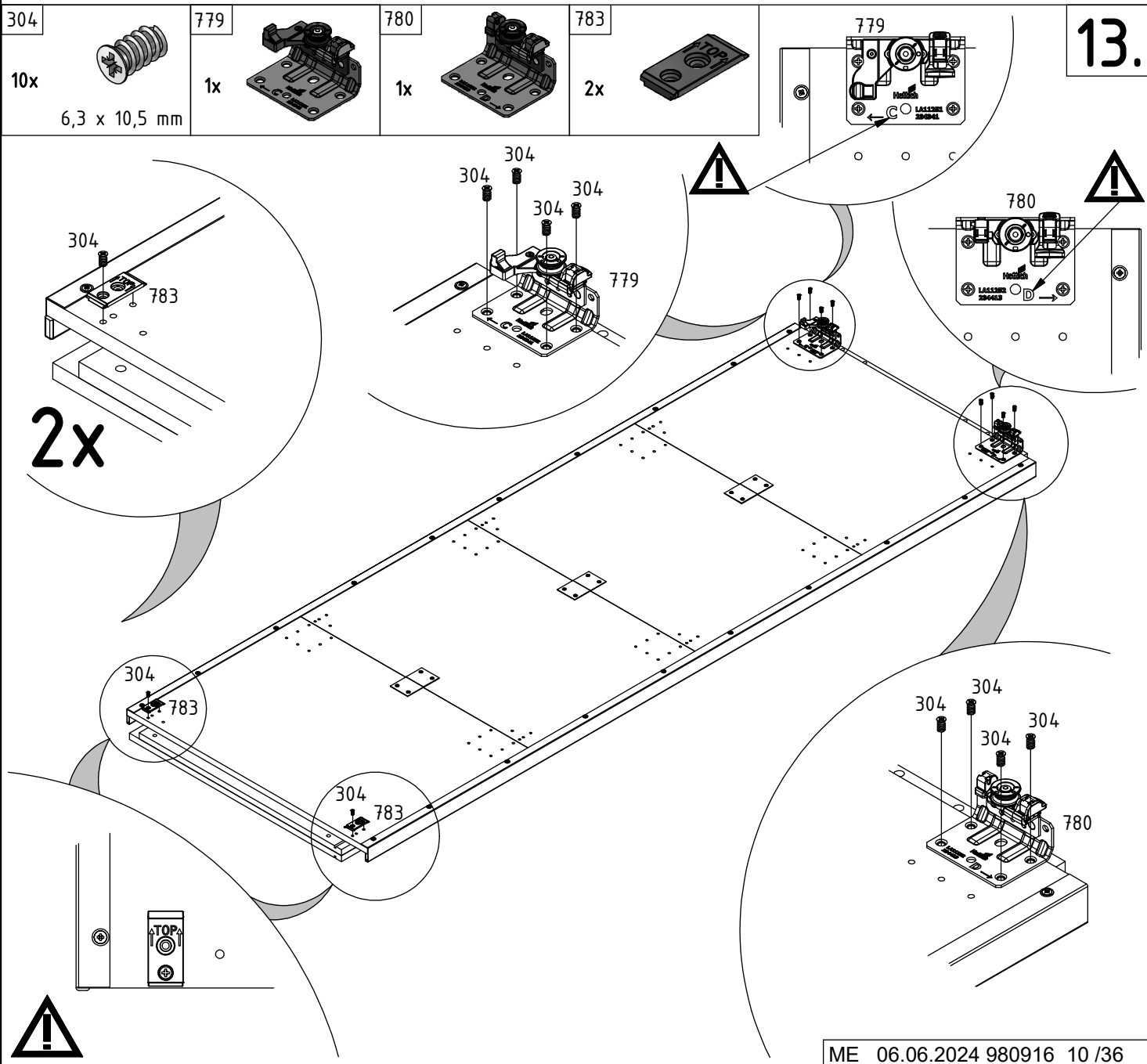
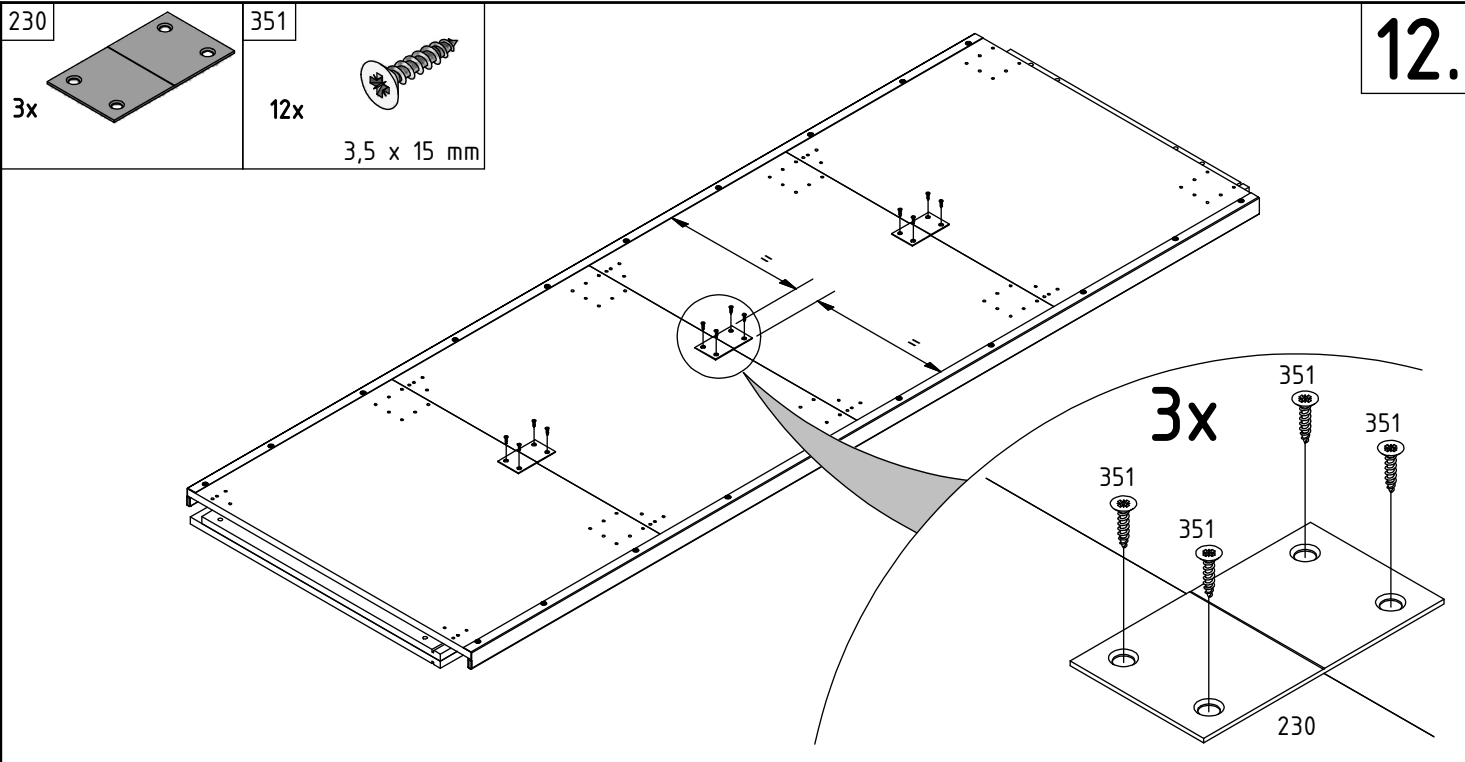
10.



| | | | |
|-----|---|-----|---|
| 382 |  | 800 |  |
| 20x | 4 x 13 mm | 2x | L=1915 mm |

11.





382

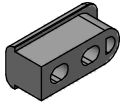
2x



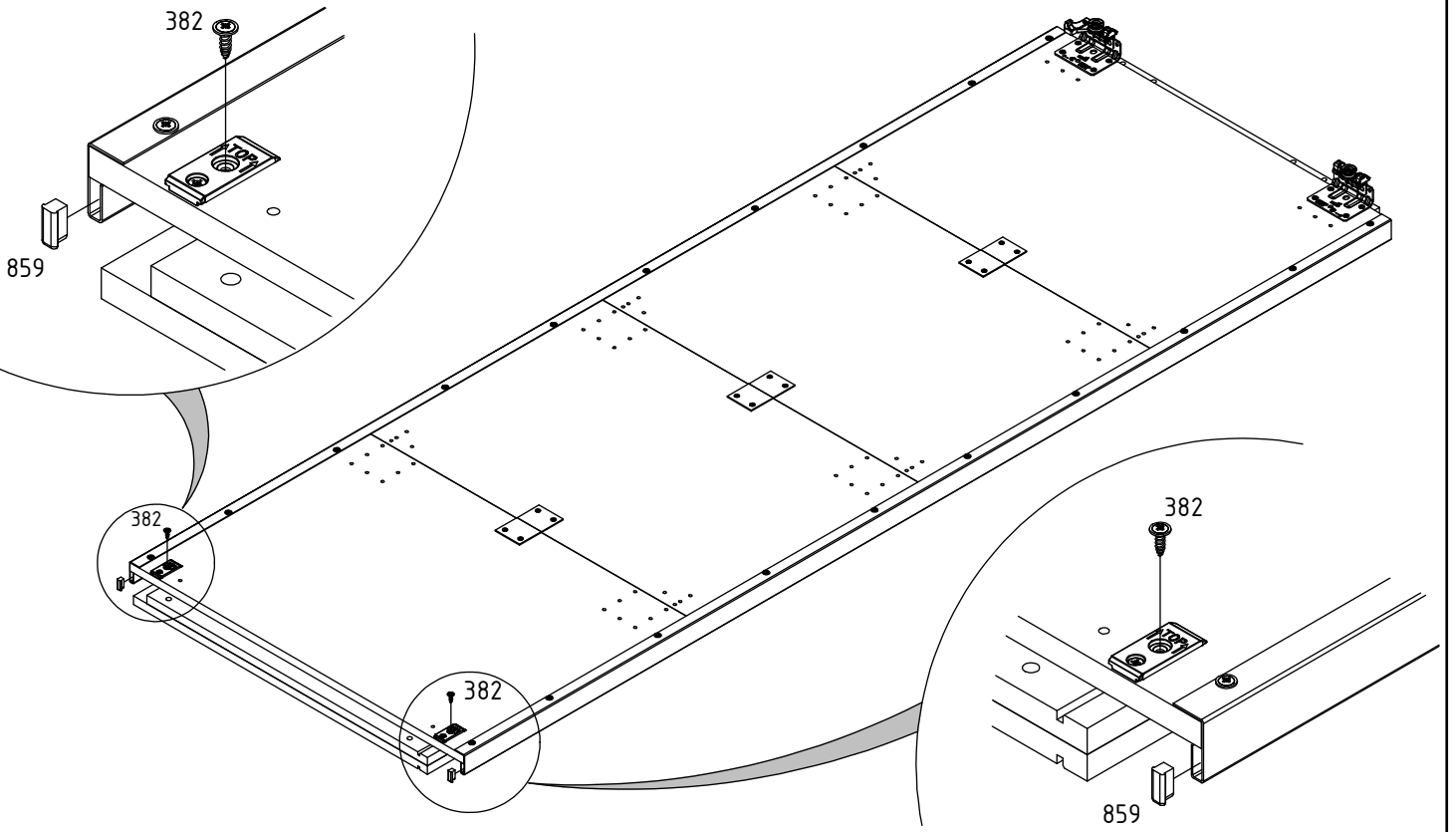
4 x 13 mm

859

2x

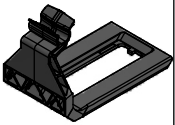


14.

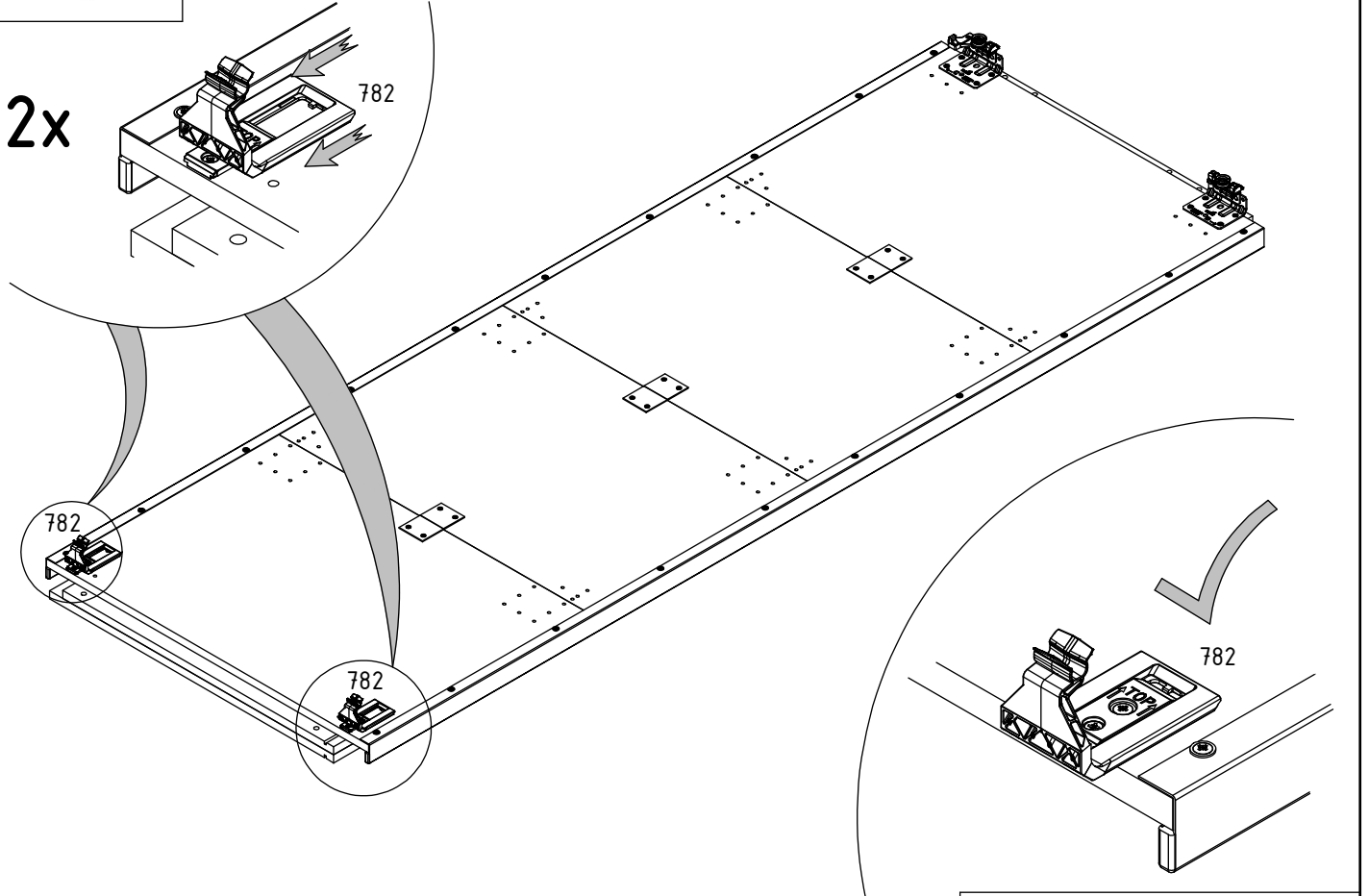


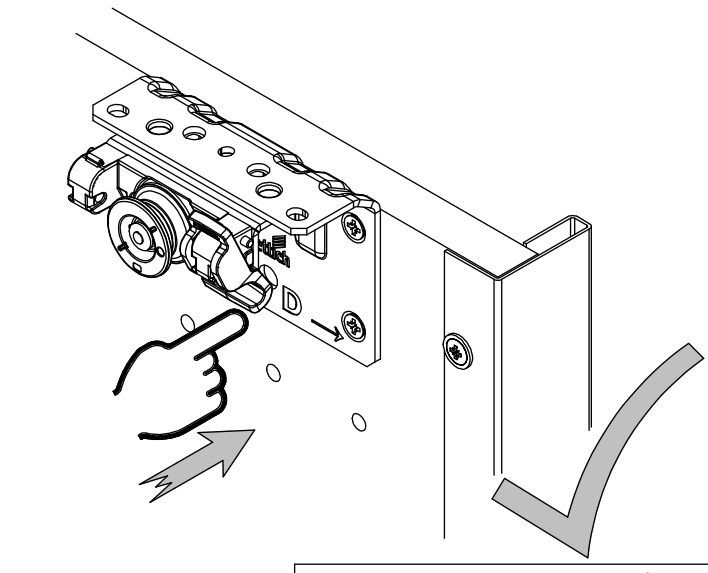
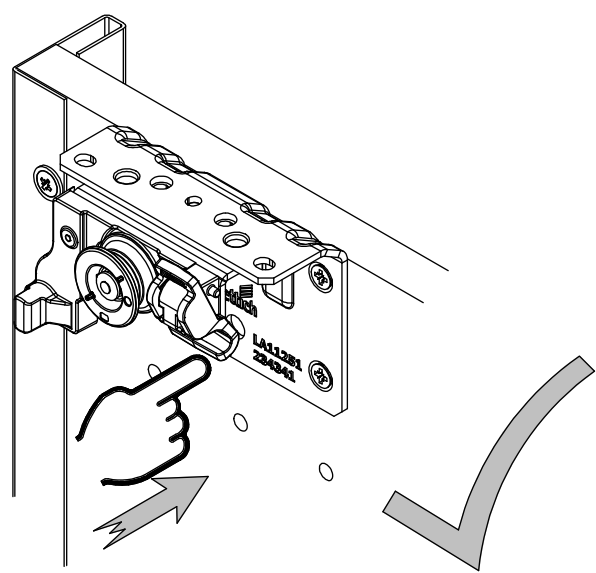
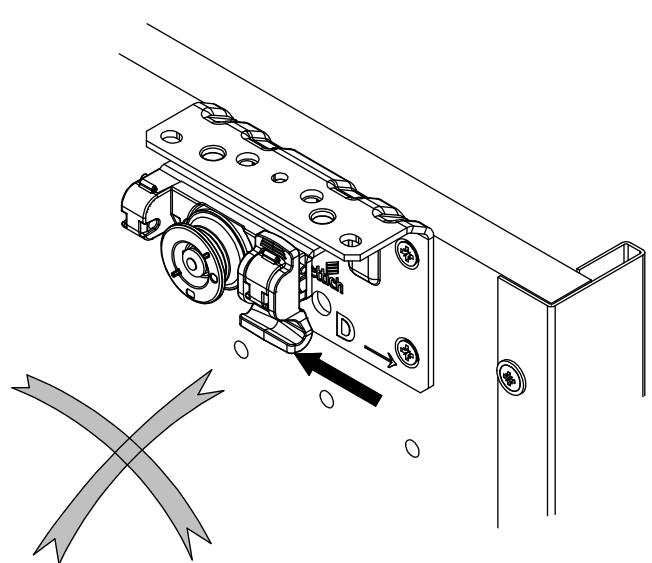
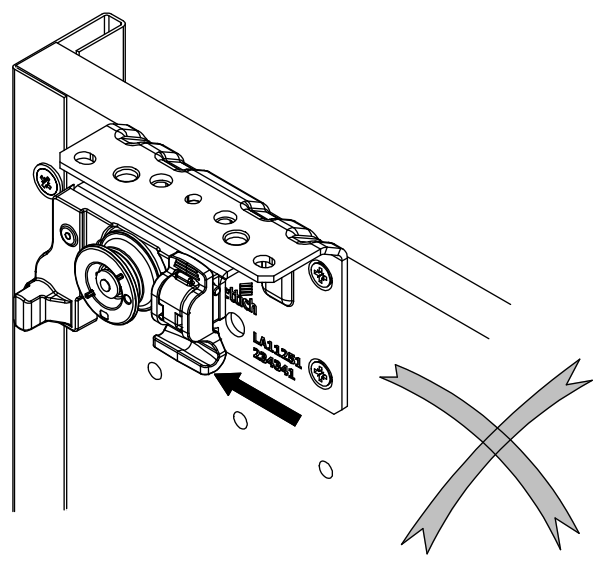
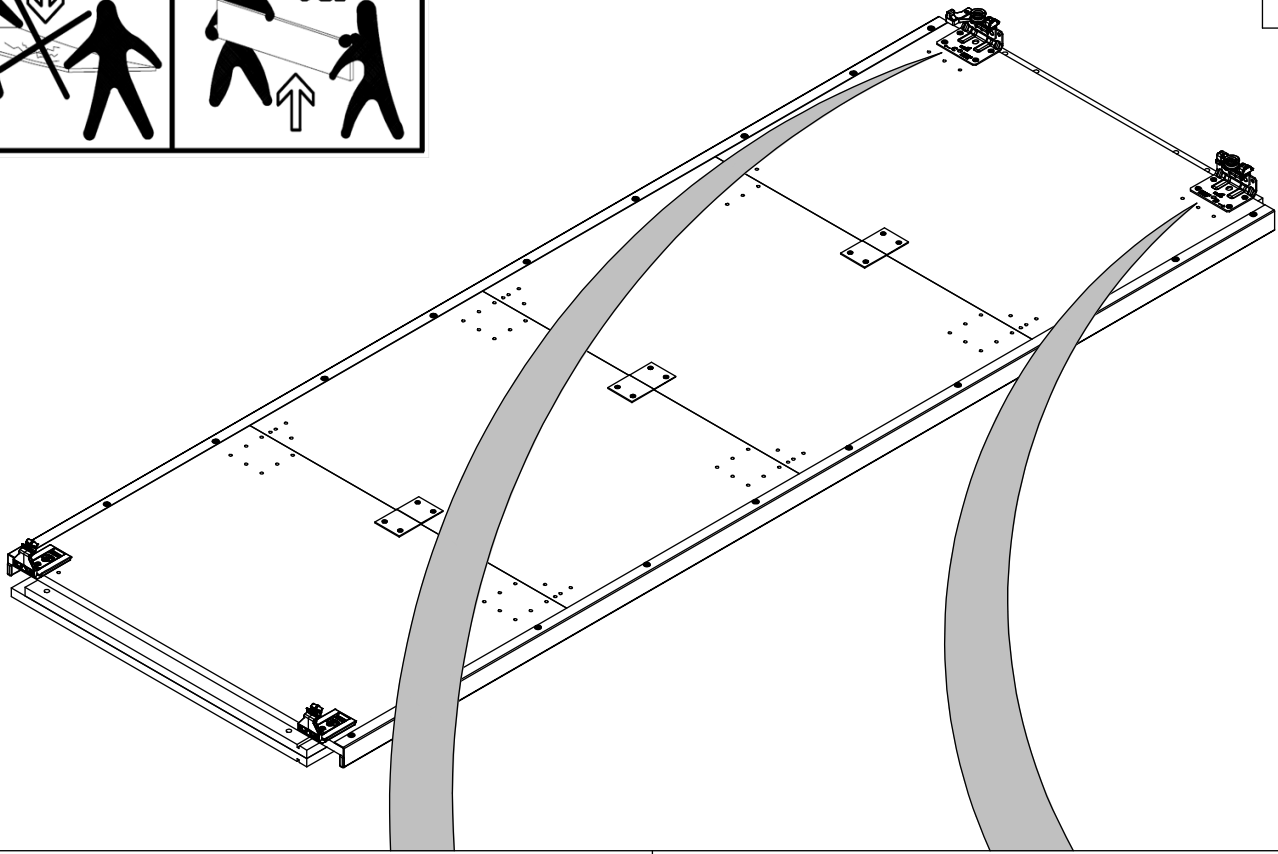
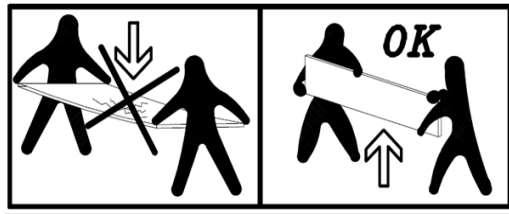
782

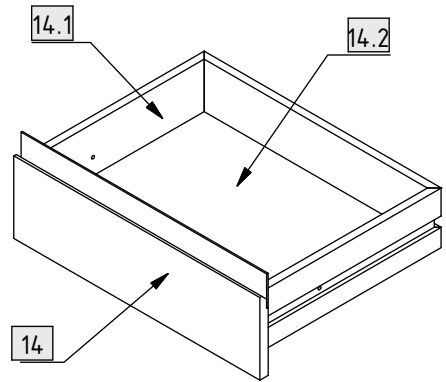
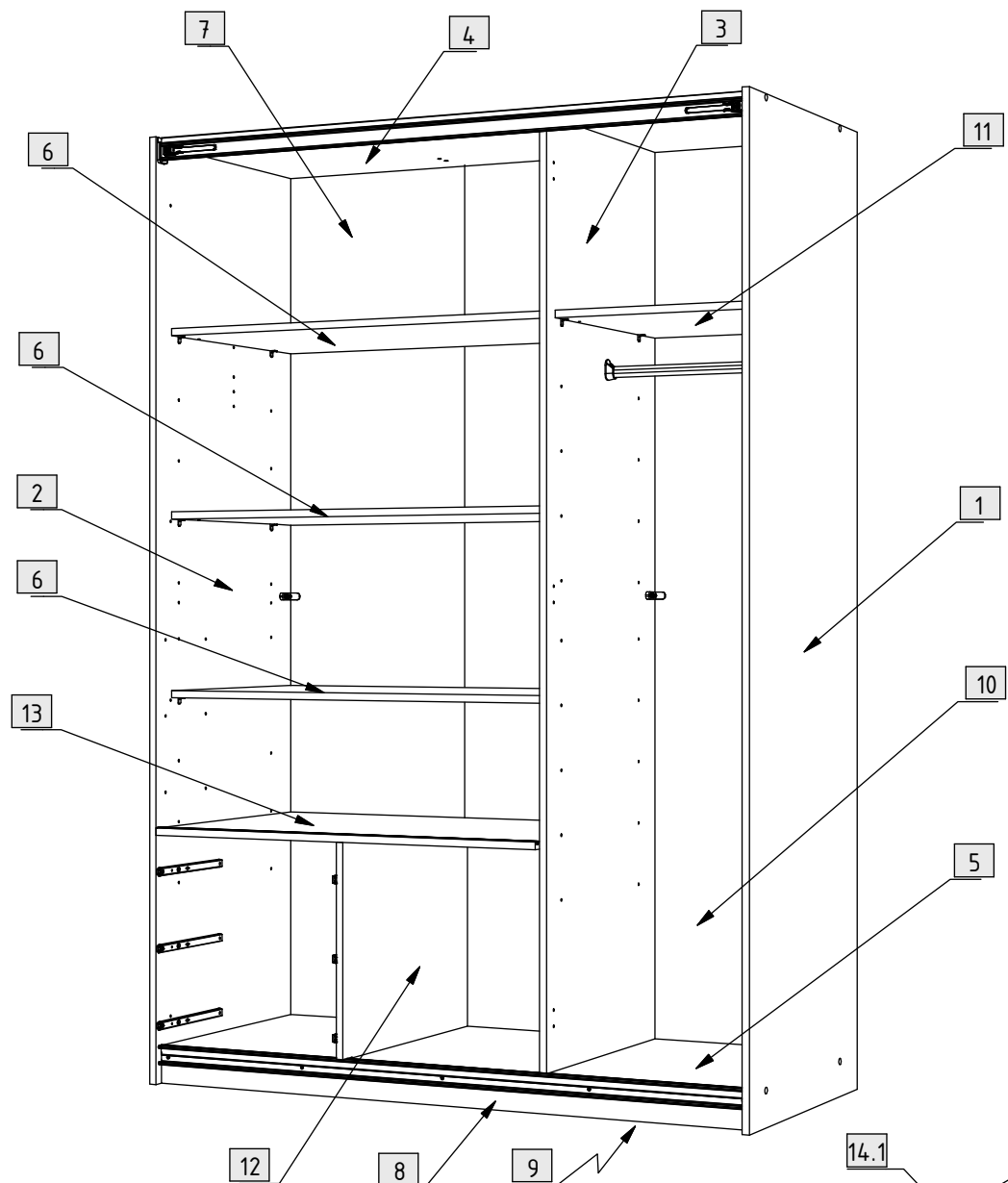
2x


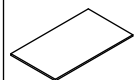




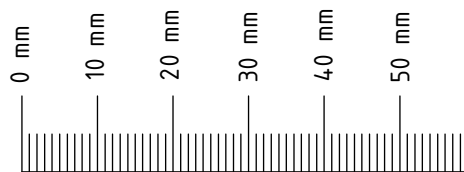
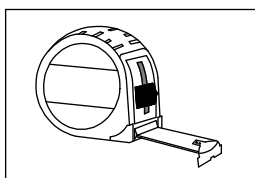
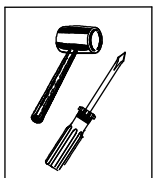
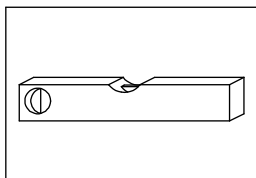
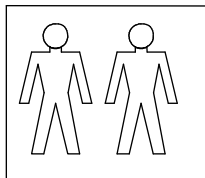
15.



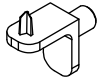
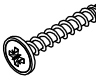
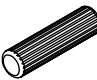



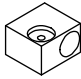

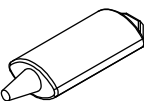

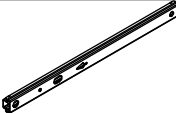
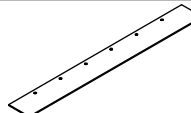

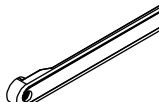
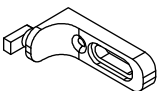
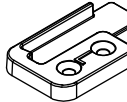

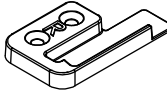

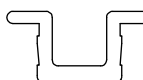

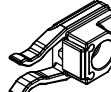

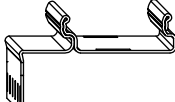
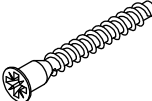
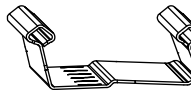







| |  |  |  |  |
|------|---|---|---|--|
| 1 | | | 1x | 1967 x 608 x 15 mm |
| 2 | | | 1x | 1967 x 580 x 15 mm |
| 3 | | | 1x | 1873 x 560 x 15 mm |
| 4 | | | 1x | 1314 x 560 x 15 mm |
| 5 | | | 1x | 1314 x 560 x 15 mm |
| 6 | | | 3x | 871 x 500 x 15 mm |
| 7 | | | 1x | 1887 x 889 x 2,5 mm |
| 8 | | | 1x | 1314 x 64 x 15 mm |
| 9 | | | 1x | 1314 x 64 x 15 mm |
| 10 | | | 1x | 1887 x 437 x 2,5 mm |
| 11 | | | 1x | 428 x 500 x 15 mm |
| 12 | | | 1x | 438 x 560 x 15 mm |
| 13 | | | 1x | 871 x 560 x 15 mm |
| 14 | | | 3x | 437 x 126 x 15 mm |
| 14.1 | | | 3x | 1053 x 92 x 12 mm |
| 14.2 | | | 3x | 406 x 313 x 2,5 mm |



| | | | | | | | |
|-----|----|---|------------|-----|----|---|-------------|
| 102 | 8 |  | | 351 | 24 |  | 3,5 x 15 mm |
| 181 | 16 |  | | 354 | 8 |  | 3,5 x 25 mm |
| 190 | 22 |  | Ø8 x 30 mm | 382 | 18 |  | 4 x 13 mm |
| 201 | 2 |  | | 408 | 6 |  | M4 x 9 mm |
| 203 | 4 |  | | 441 | 2 |  | M6 x 20 mm |
| 204 | 3 |  | | 744 | 1 |  | |
| 215 | 6 |  | | 820 | 3 |  | |
| 220 | 8 |  | | 885 | 2 |  | |
| 221 | 4 |  | | 886 | 1 |  | |
| 240 | 4 |  | | 887 | 1 |  | |
| 245 | 2 |  | | 890 | 1 |  | L = 870 mm |
| 303 | 4 |  | 6 x 10 mm | 891 | 2 |  | |
| 305 | 12 |  | 6 x 9 mm | 912 | 1 |  | L = 1311 mm |
| 320 | 10 |  | 6 x 50 mm | 914 | 1 |  | L = 1313 mm |
| 330 | 4 |  | | | | | |

382

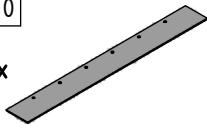
18x



4 x 13 mm

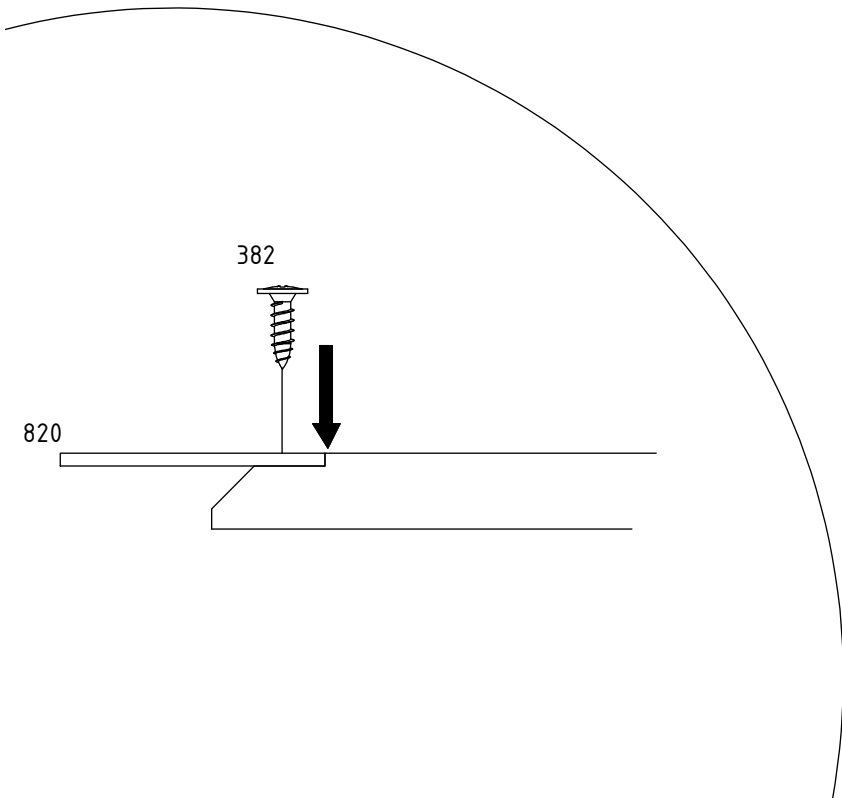
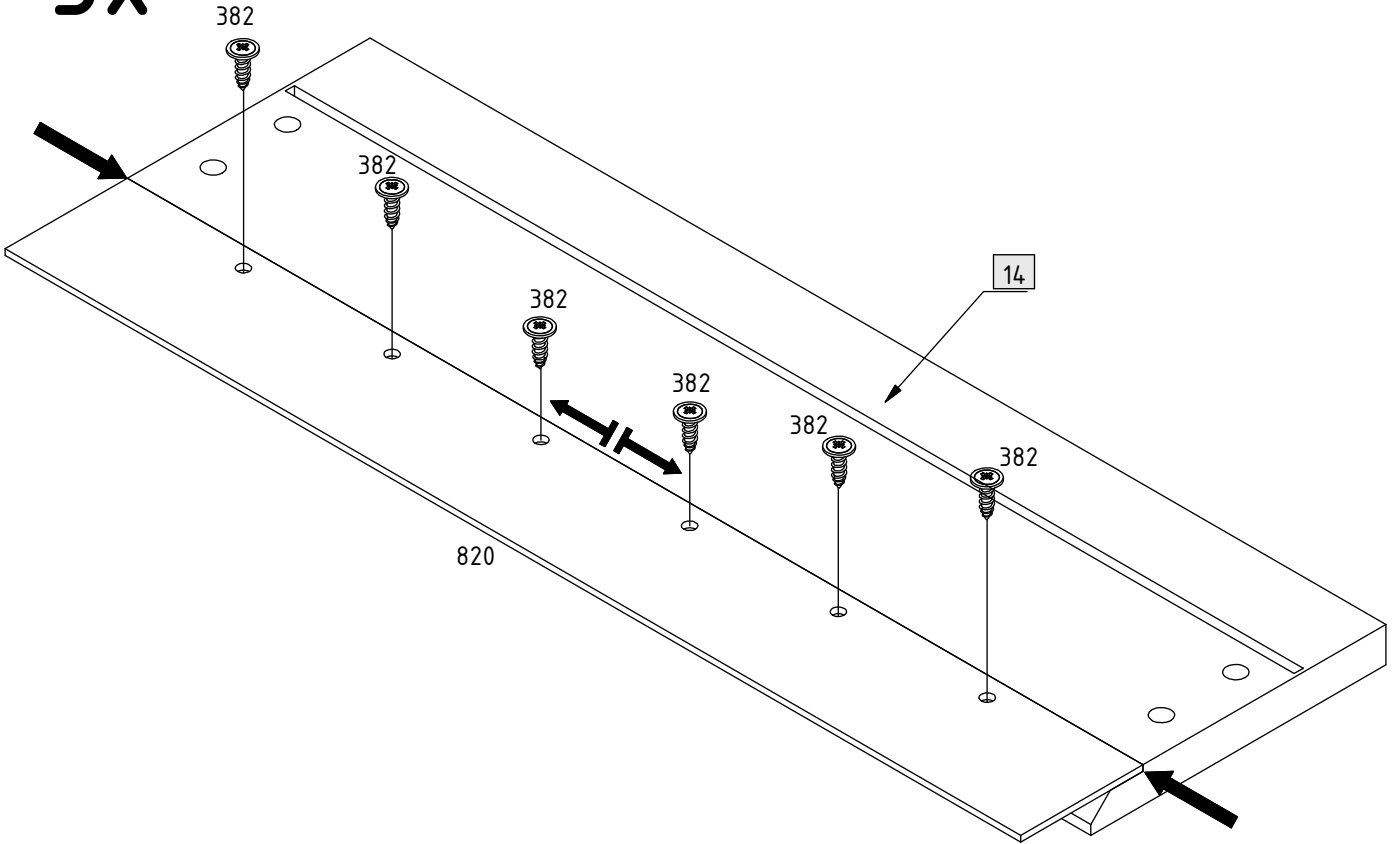
820

3x

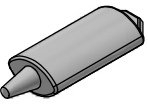


17.

3x

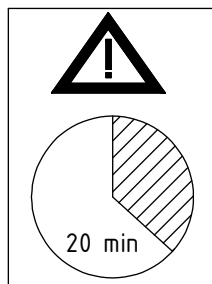
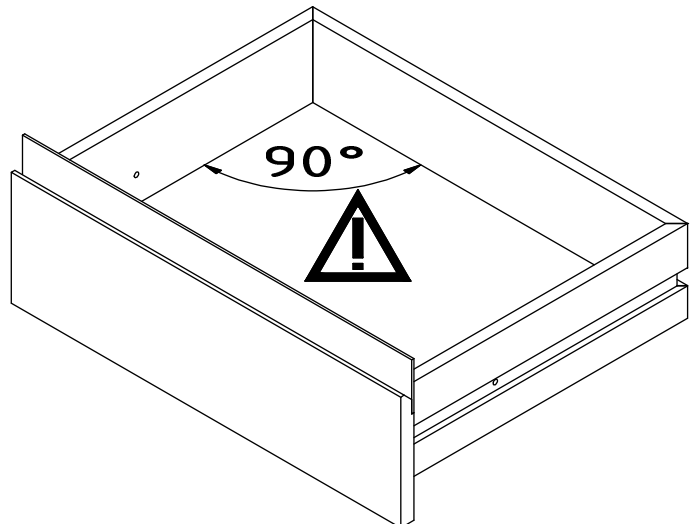
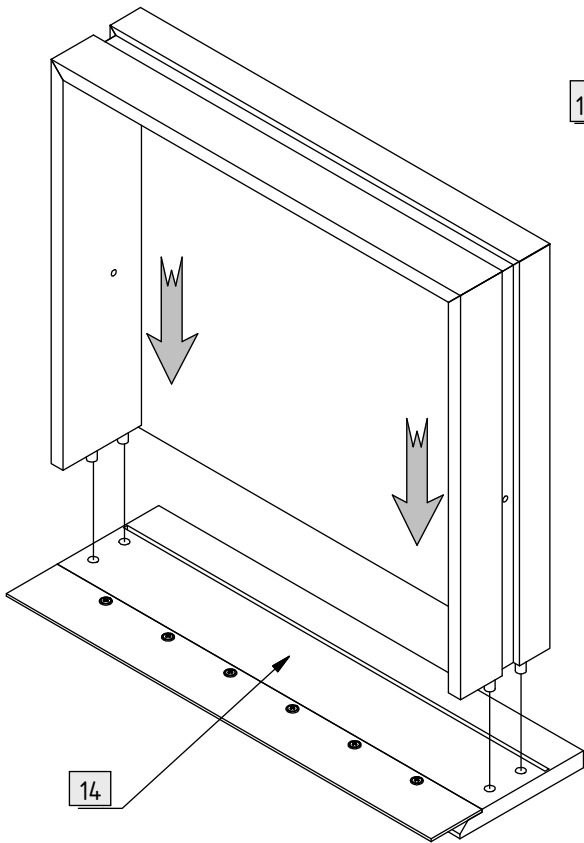
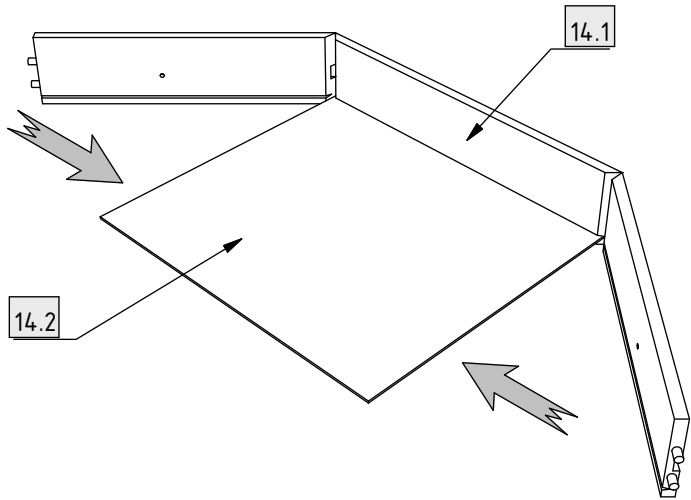
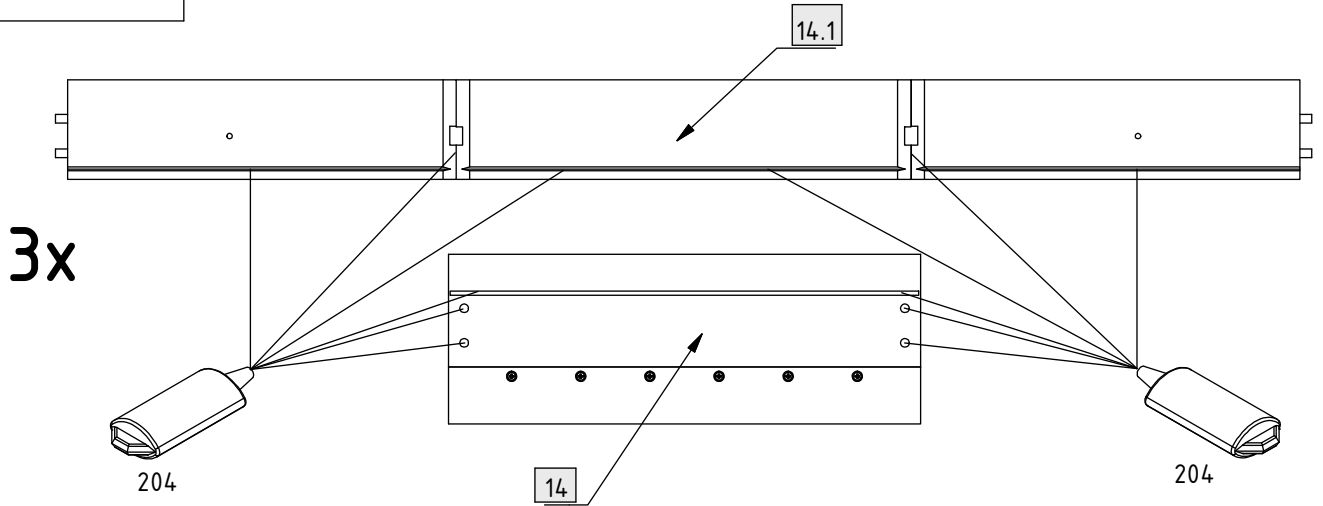


204



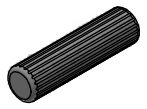
3x

18.



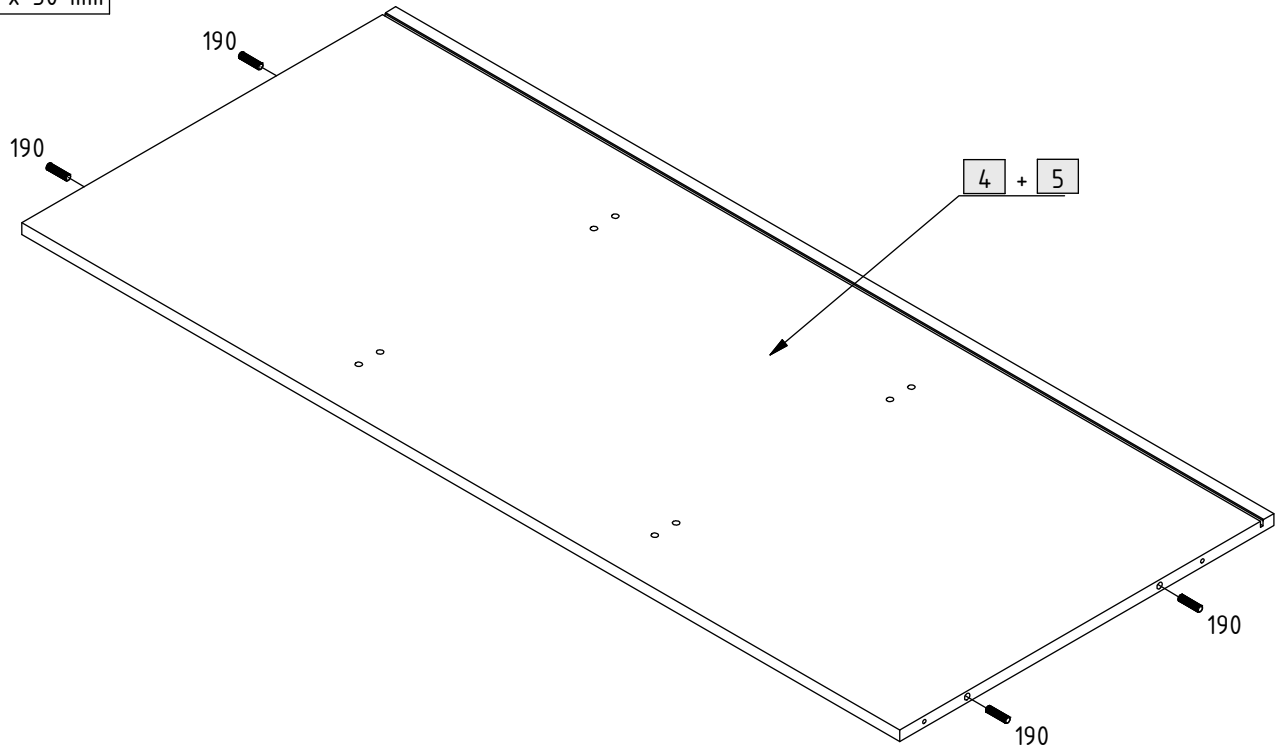
190

8x



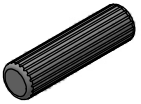
Ø8 x 30 mm

19.



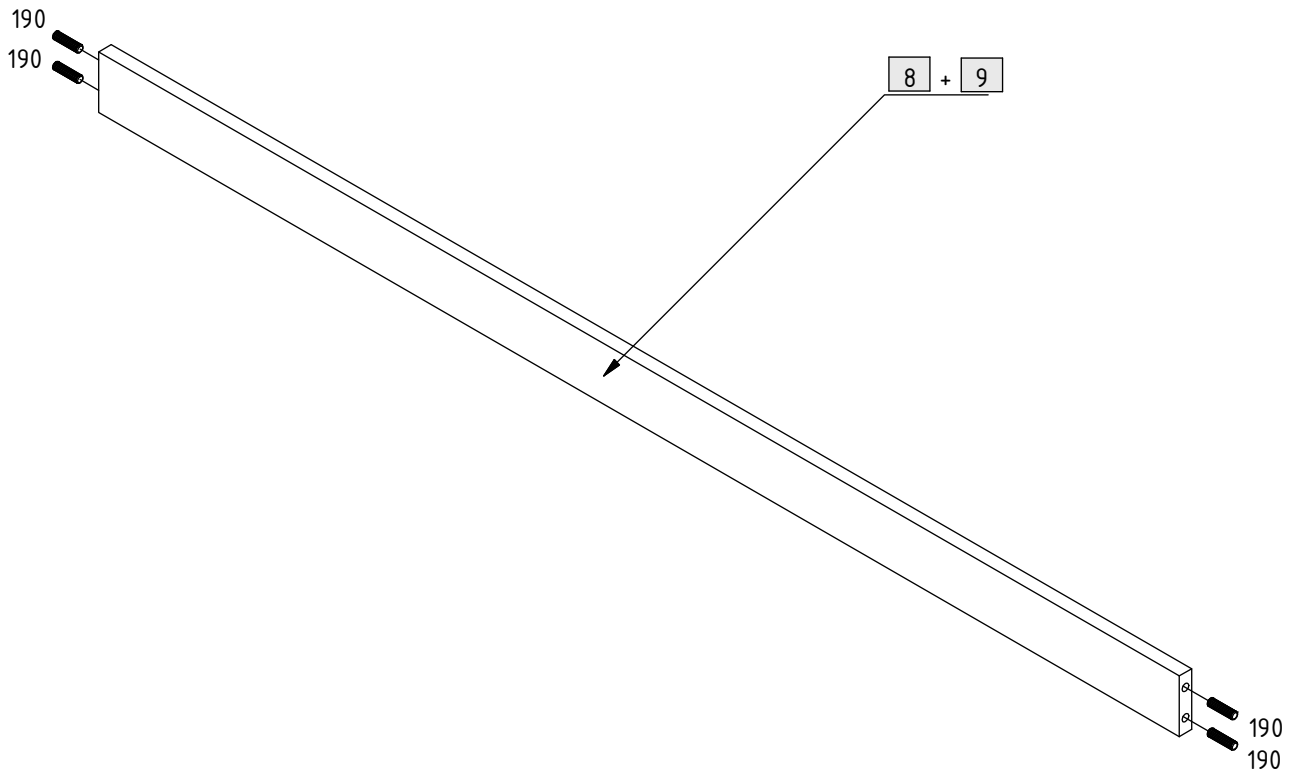
190

8x

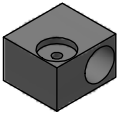


Ø8 x 30 mm

20.



203



4x

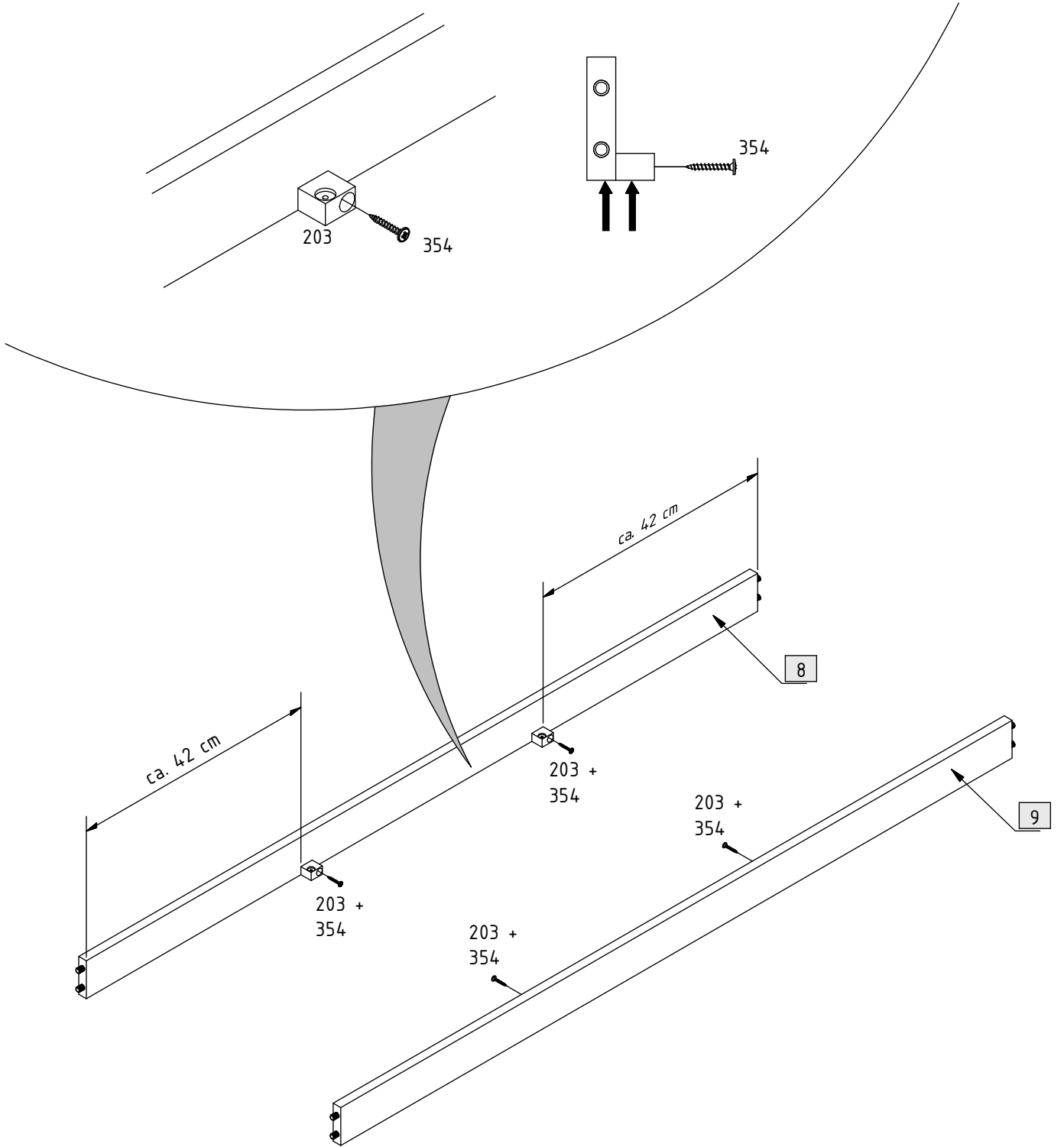
354



4x

3,5 x 25 mm

21.



354

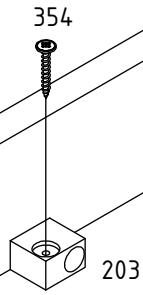
4x

3,5 x 25 mm



22.

4x



354



8

354



354



9

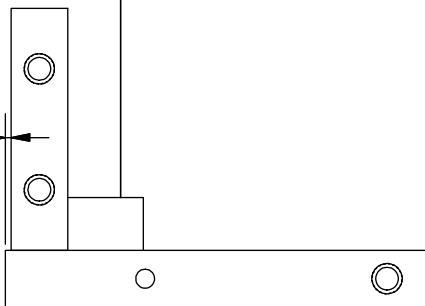
354

5

354



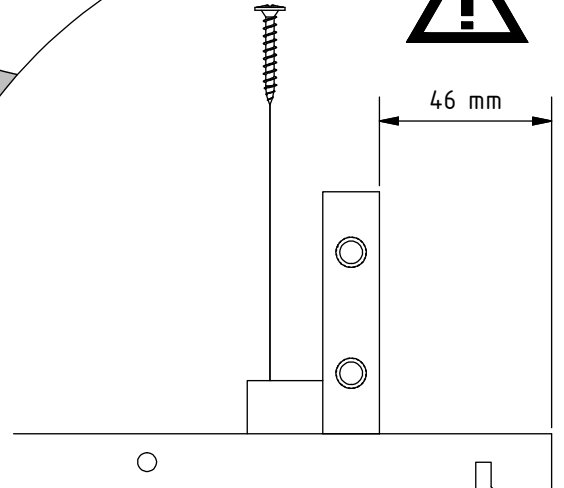
1 mm

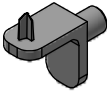

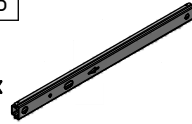




354




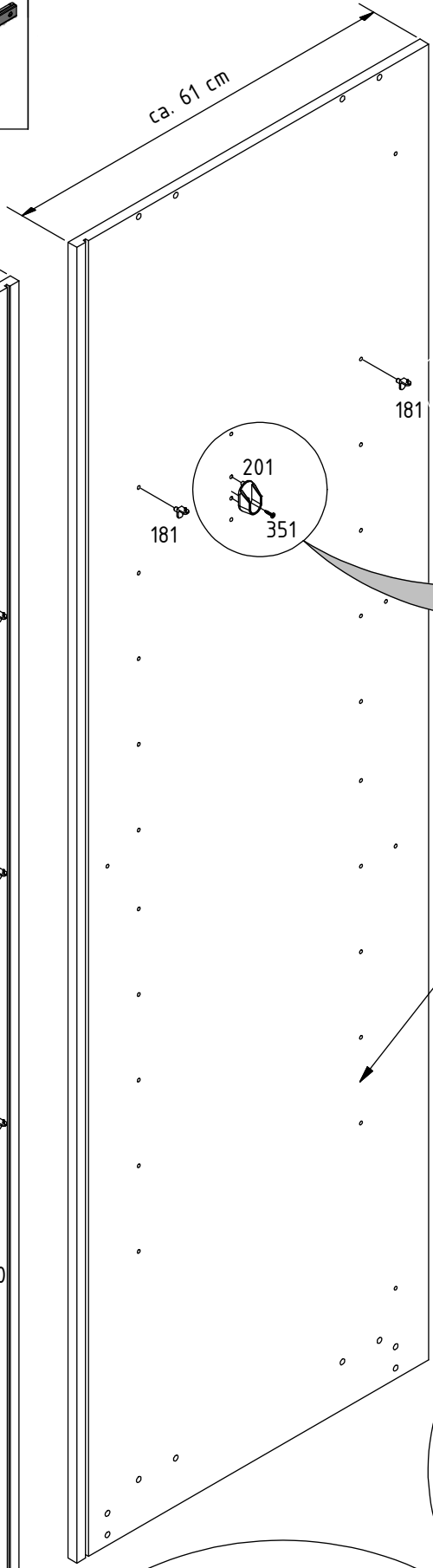
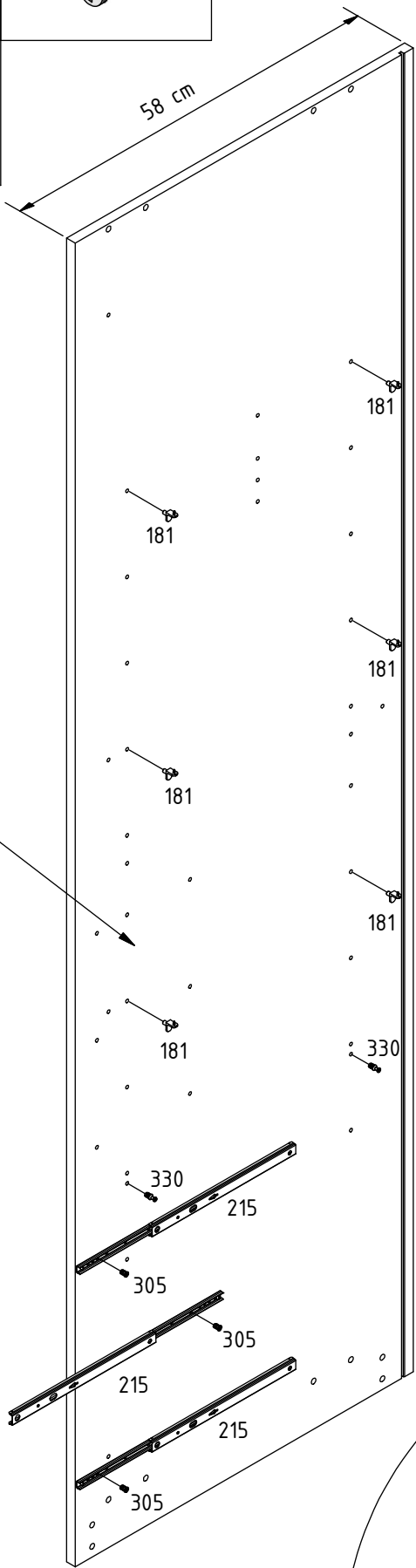
46 mm



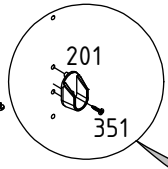
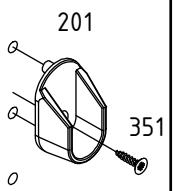
| | | | | | |
|-----|---|-----|--|-----|--|
| 181 |  | 201 |  | 215 |  |
| 8x | | 1x | | 3x | |

| | | | |
|----------|---|-----|---|
| 305 |  | 330 |  |
| 6x | | 2x | |
| 6 x 9 mm | | | |

| | |
|-------------|---|
| 351 |  |
| 1x | |
| 3,5 x 15 mm | |

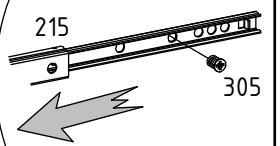


2x

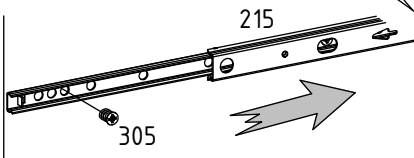


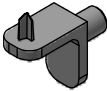
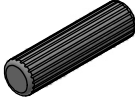


1

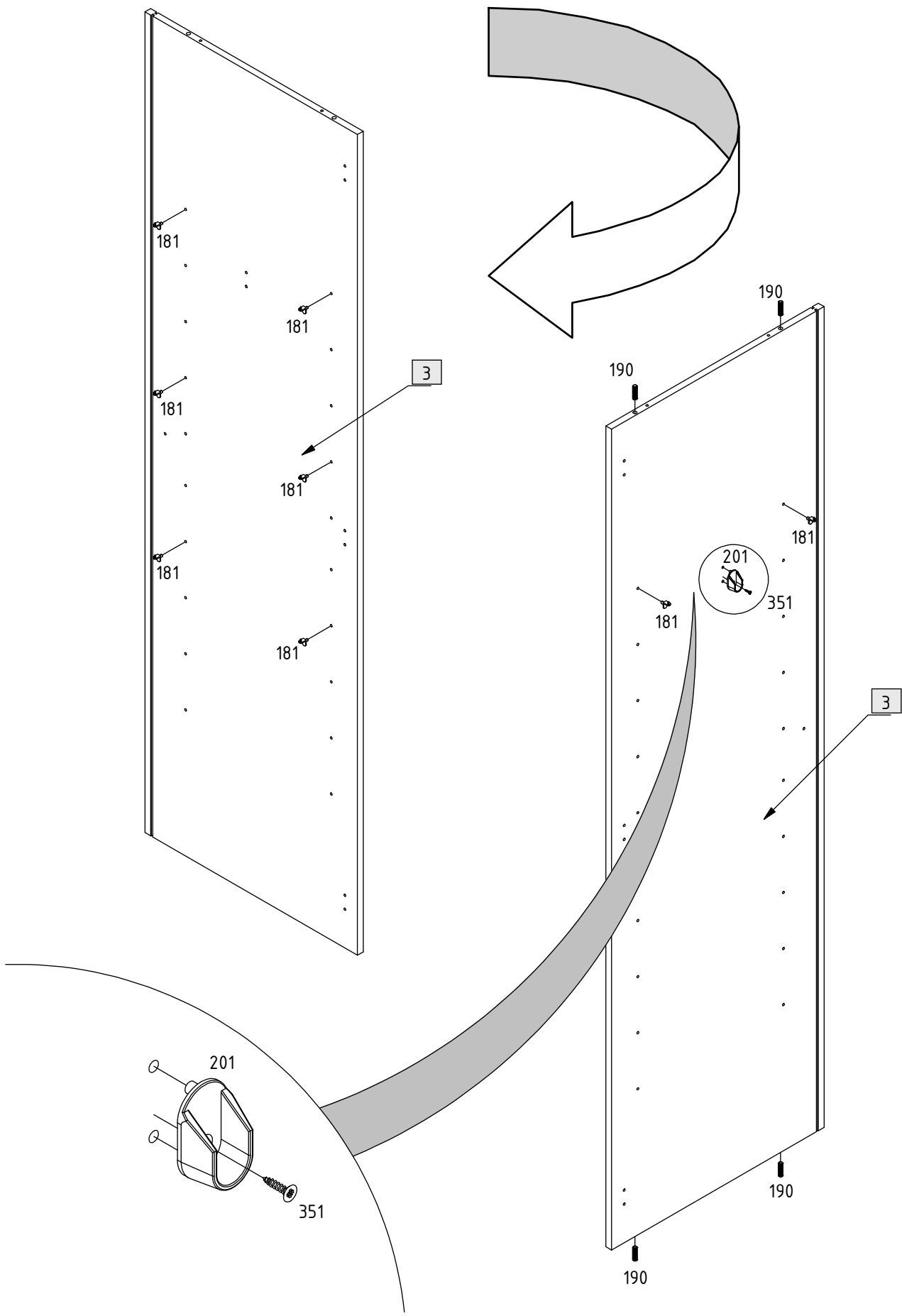
2.



1.



| | | | |
|--|---|---|--|
| 181 | 190 | 201 | 351 |
| 8x  | 4x  Ø8 x 30 mm | 1x  | 1x  3,5 x 15 mm |



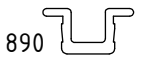
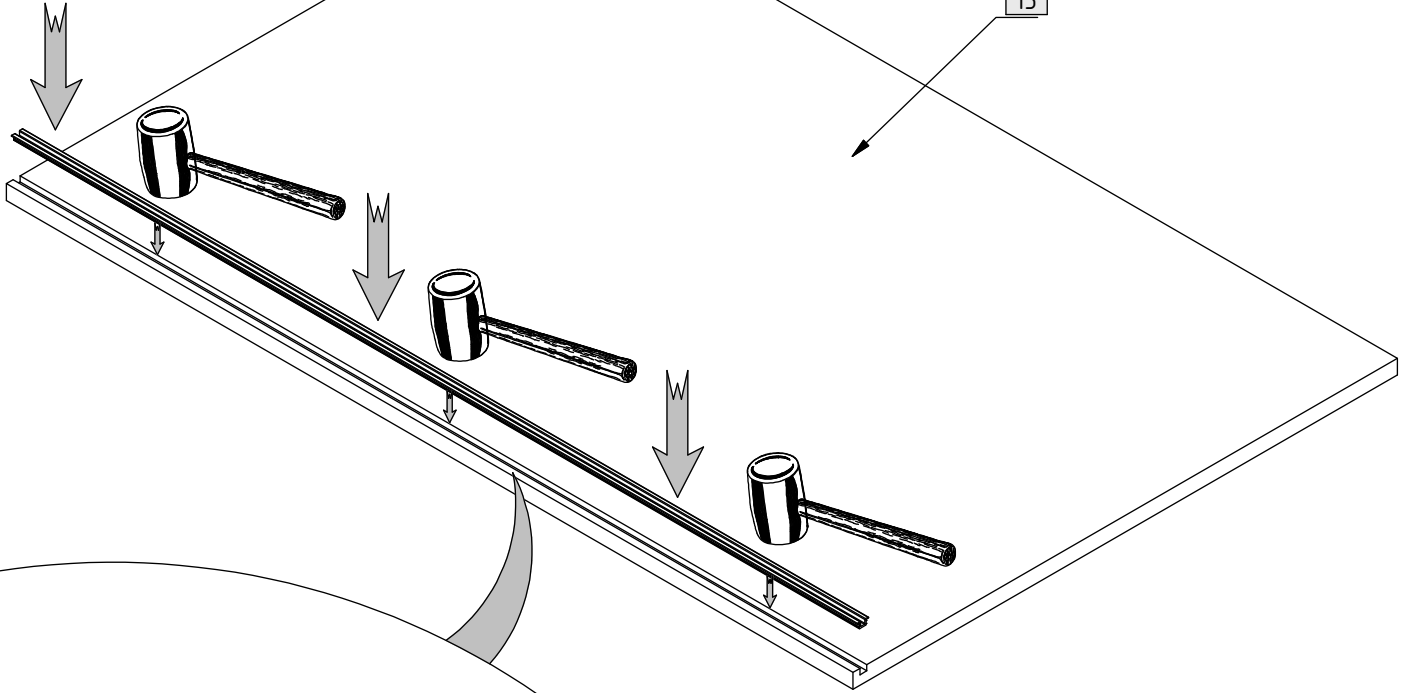
890

25.

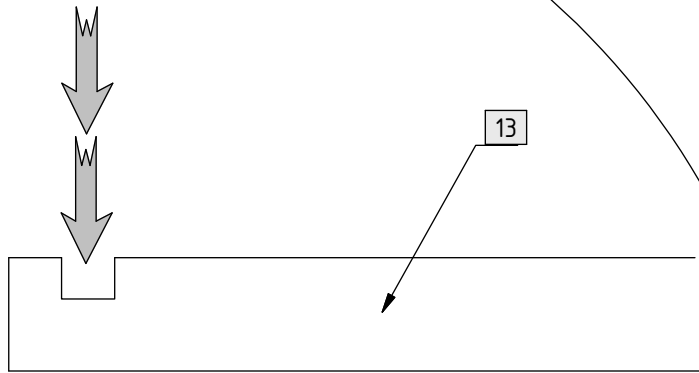


1x

13



890



13

0,5 mm

890

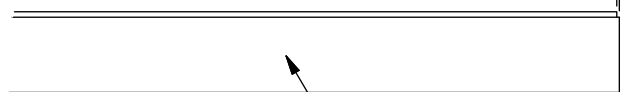
13



0,5 mm

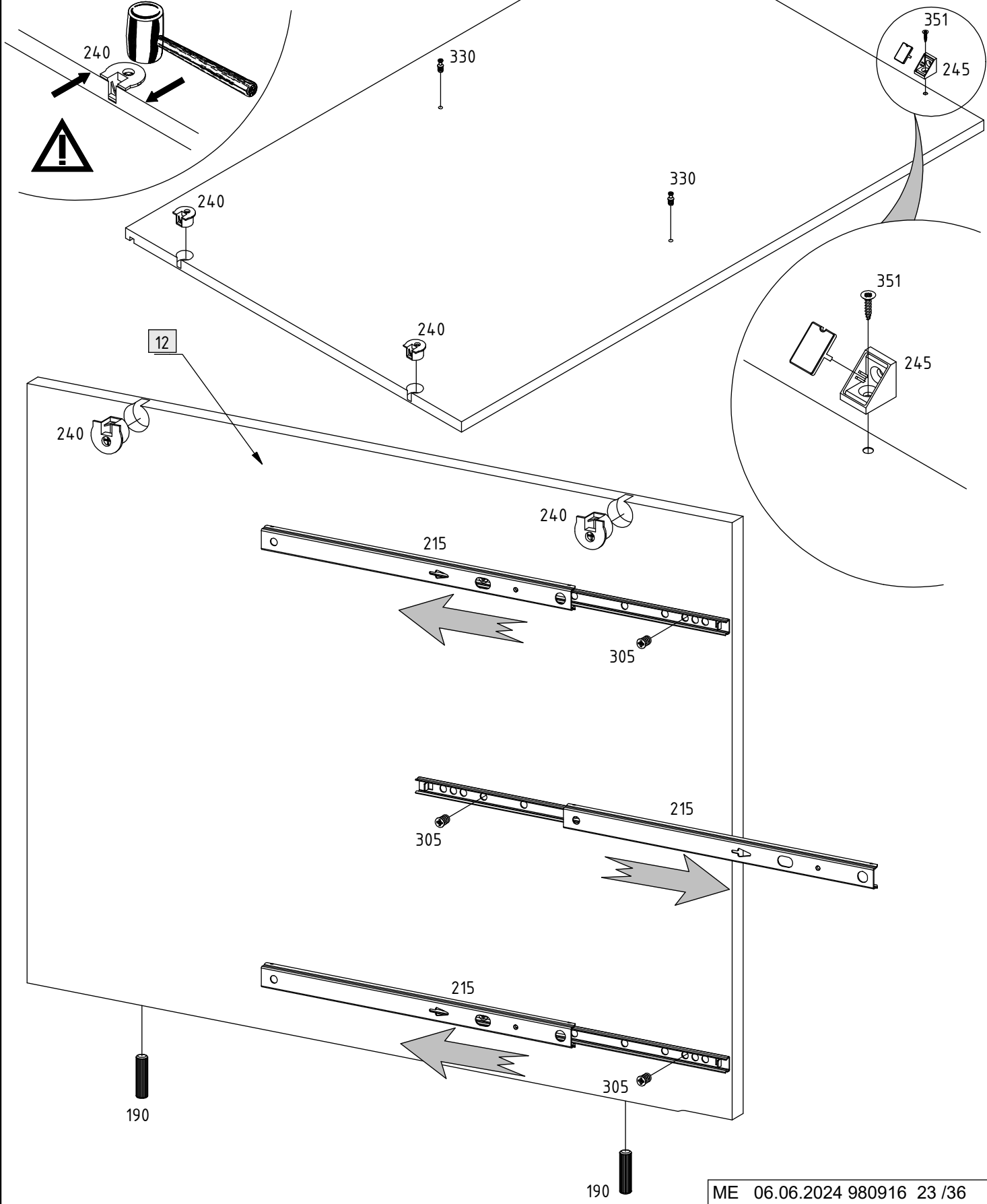
890

13



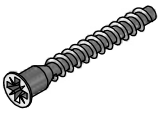
| | | | |
|-------------------------|-----------|-----------|-----------|
| 190 2x Ø8 x 30 mm | 215 3x | 240 4x | 245 2x |
|-------------------------|-----------|-----------|-----------|

| | | |
|-----------------------|-----------|--------------------------|
| 305 6x 6 x 9 mm | 330 2x | 351 2x 3,5 x 15 mm |
|-----------------------|-----------|--------------------------|



320

2x



6 x 50 mm

27.

2

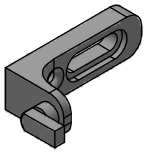
320

320

5

221

1x



303

1x



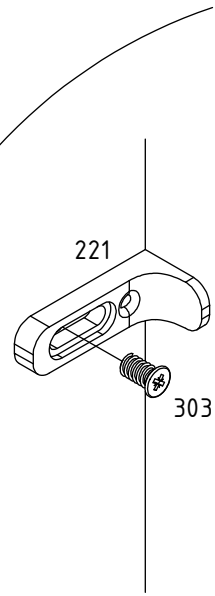
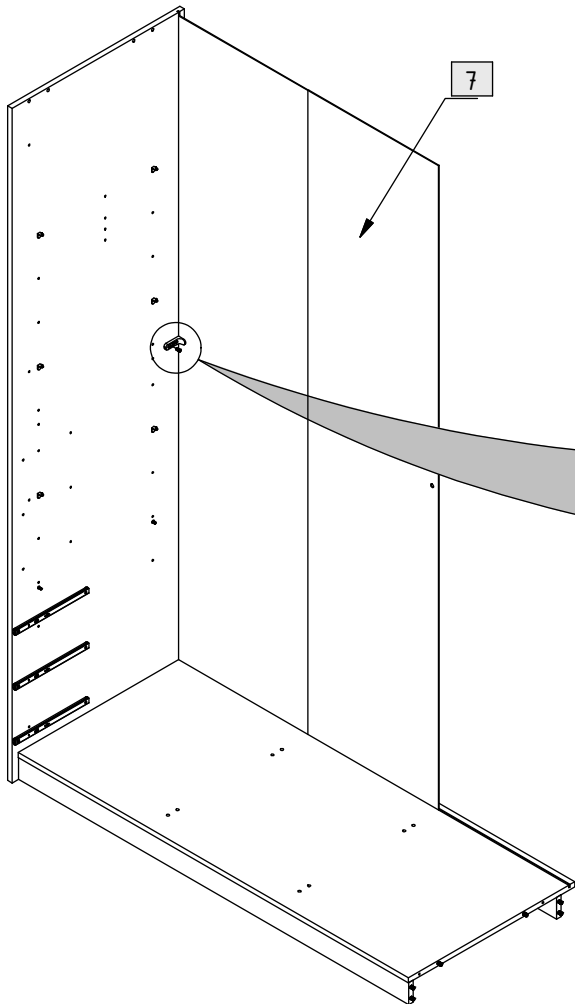
6,3 x 10 mm

8

9

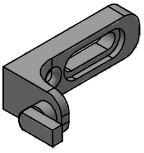
7

28.



221

1x



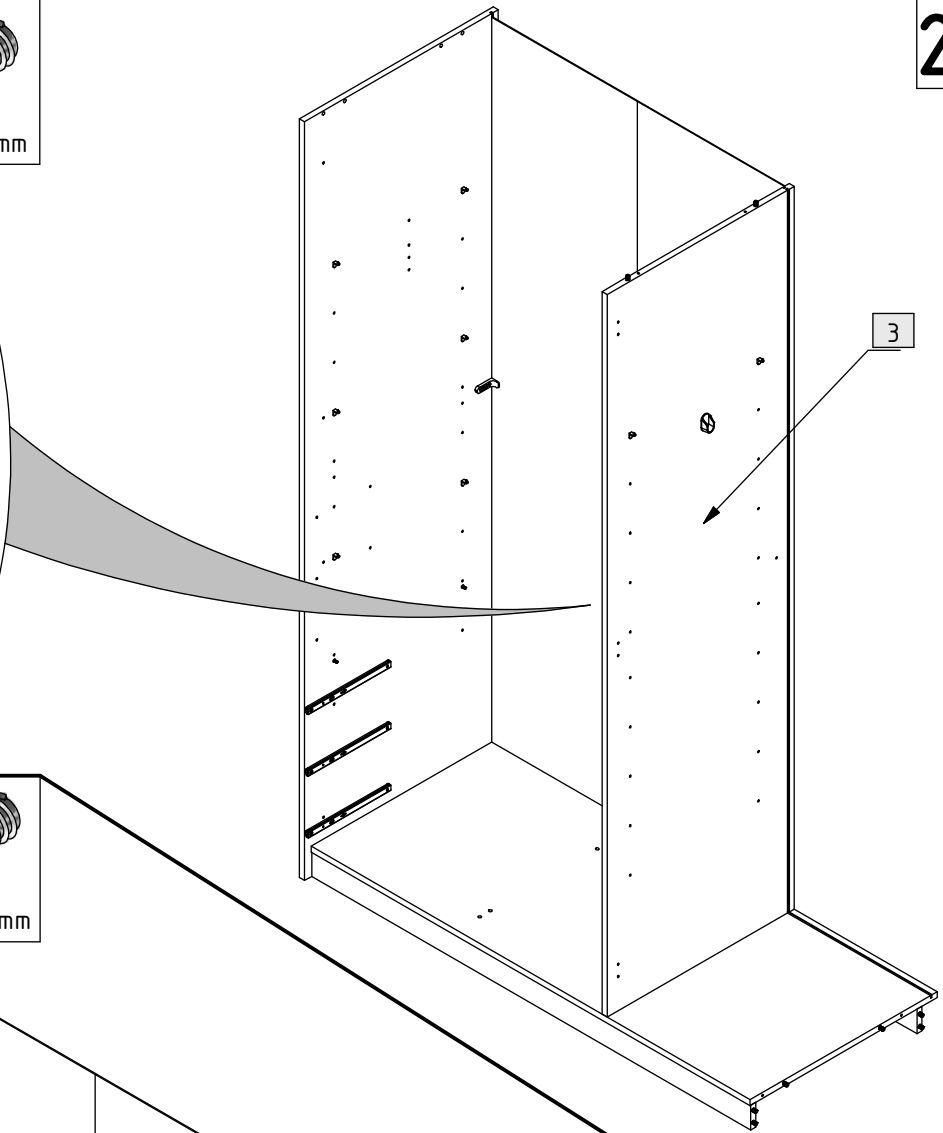
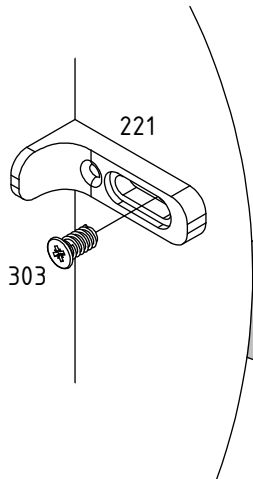
303

1x



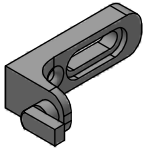
6,3 x 10 mm

29.



221

1x



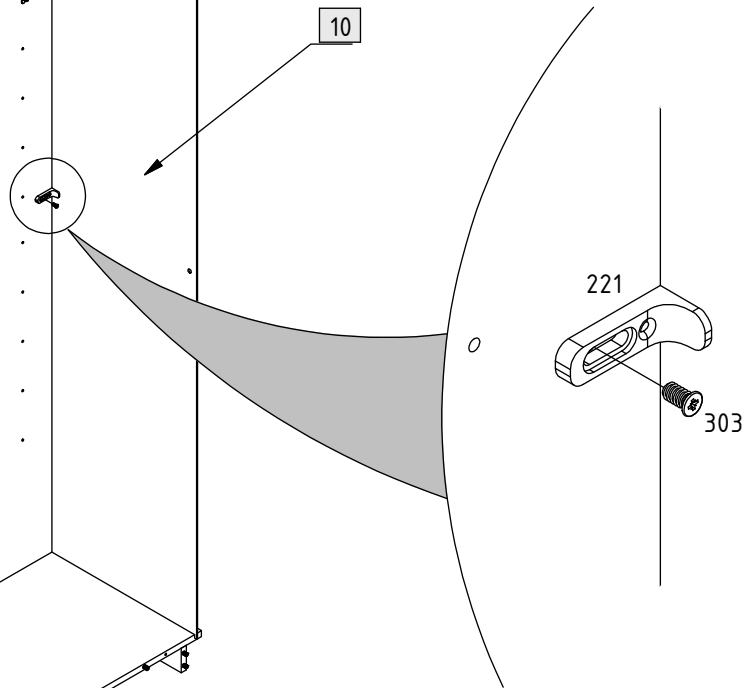
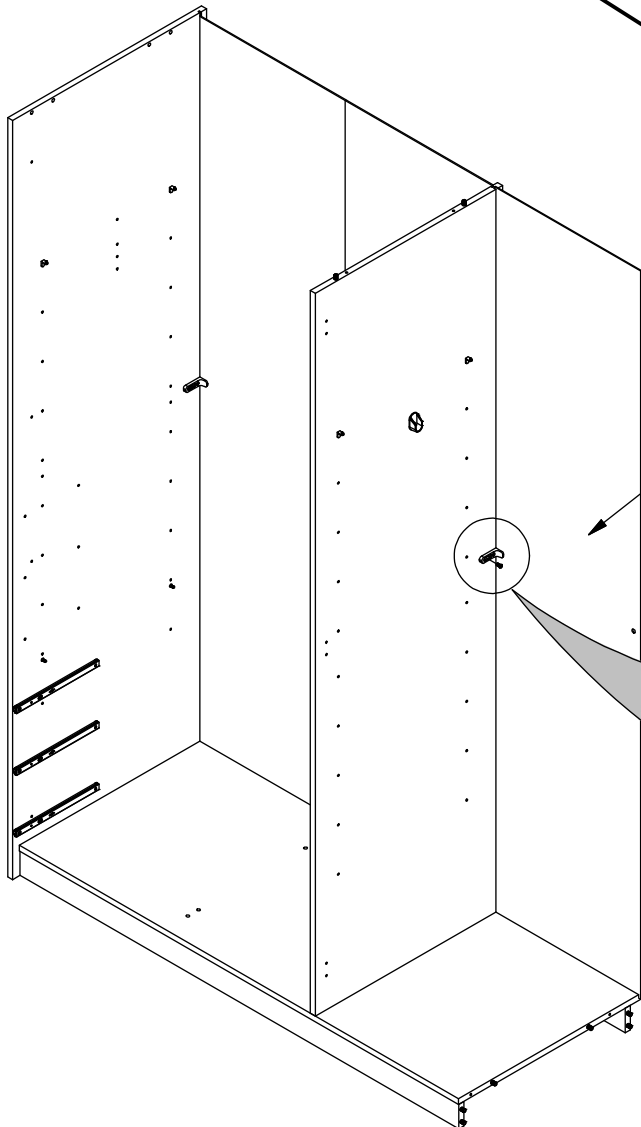
303

1x



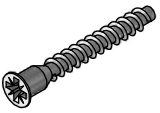
6,3 x 10 mm

30.



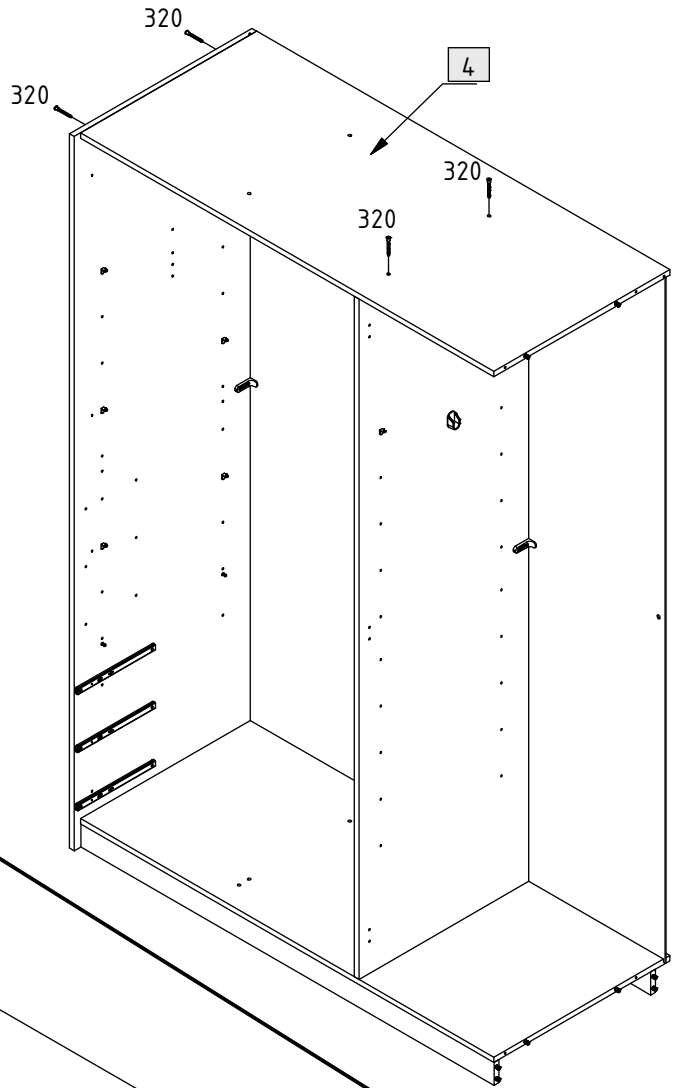
320

4x



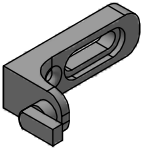
6 x 50 mm

31.



221

1x



303

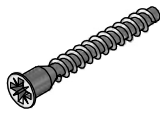
1x



6,3 x 10 mm

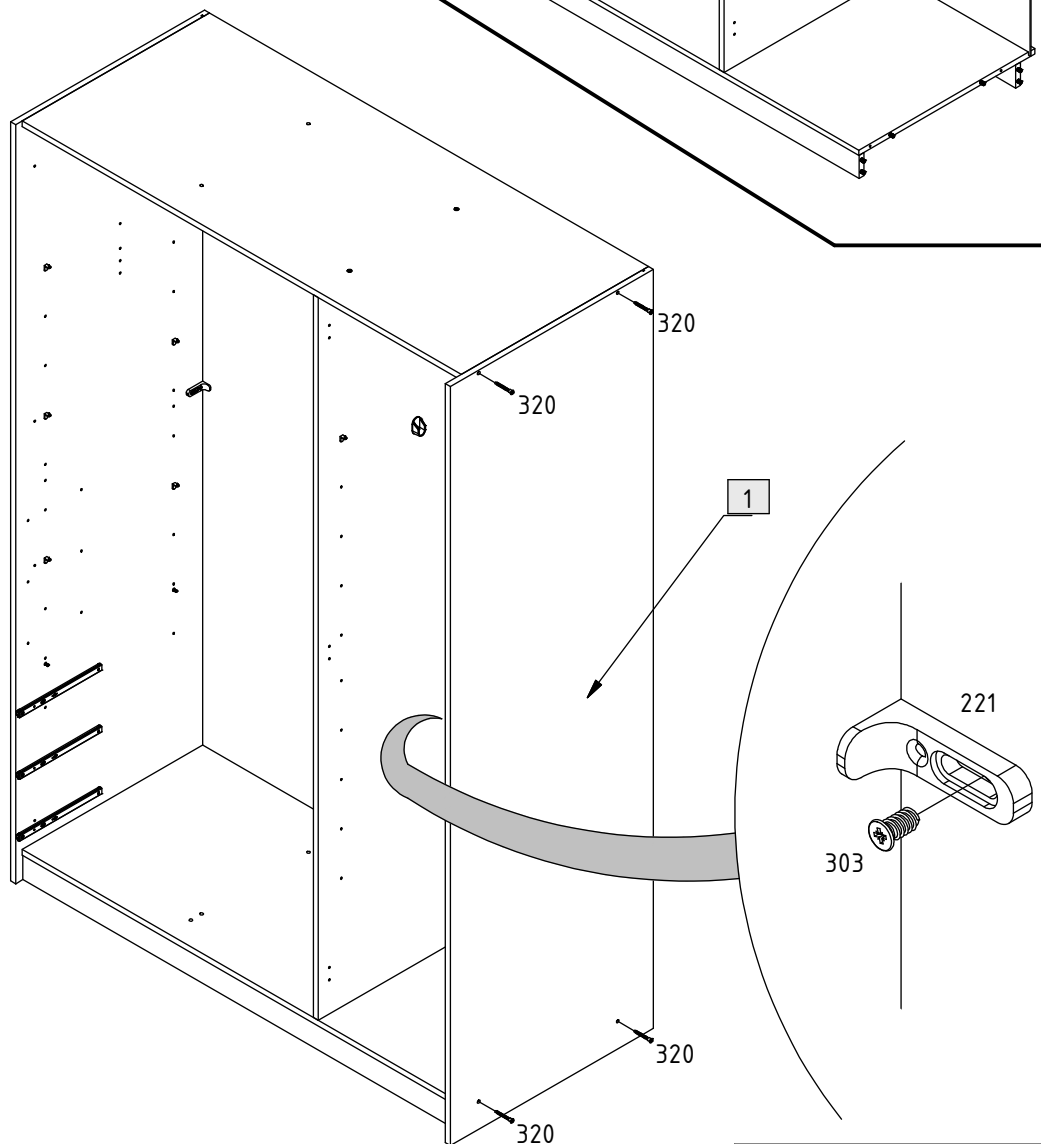
320

4x



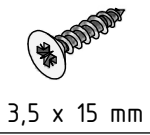
6 x 50 mm

32.

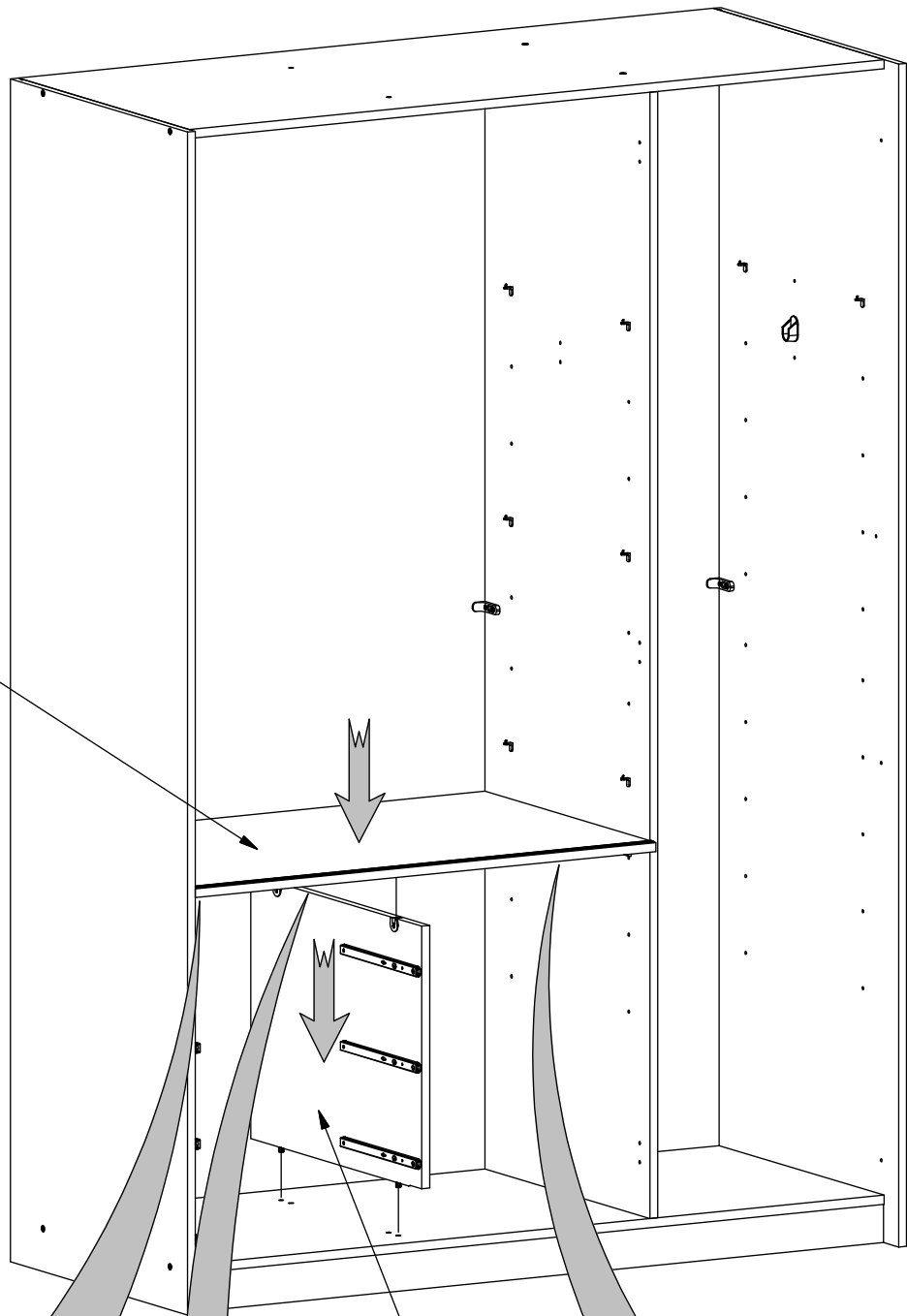


351

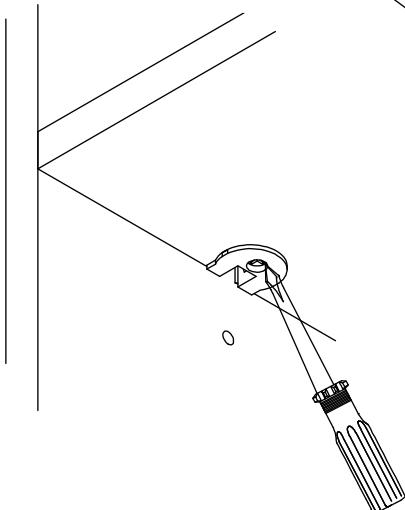
2x



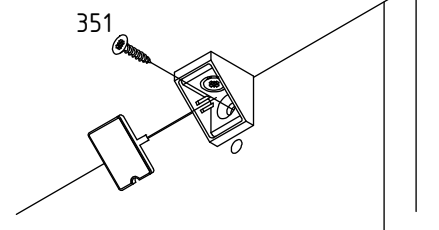
33.

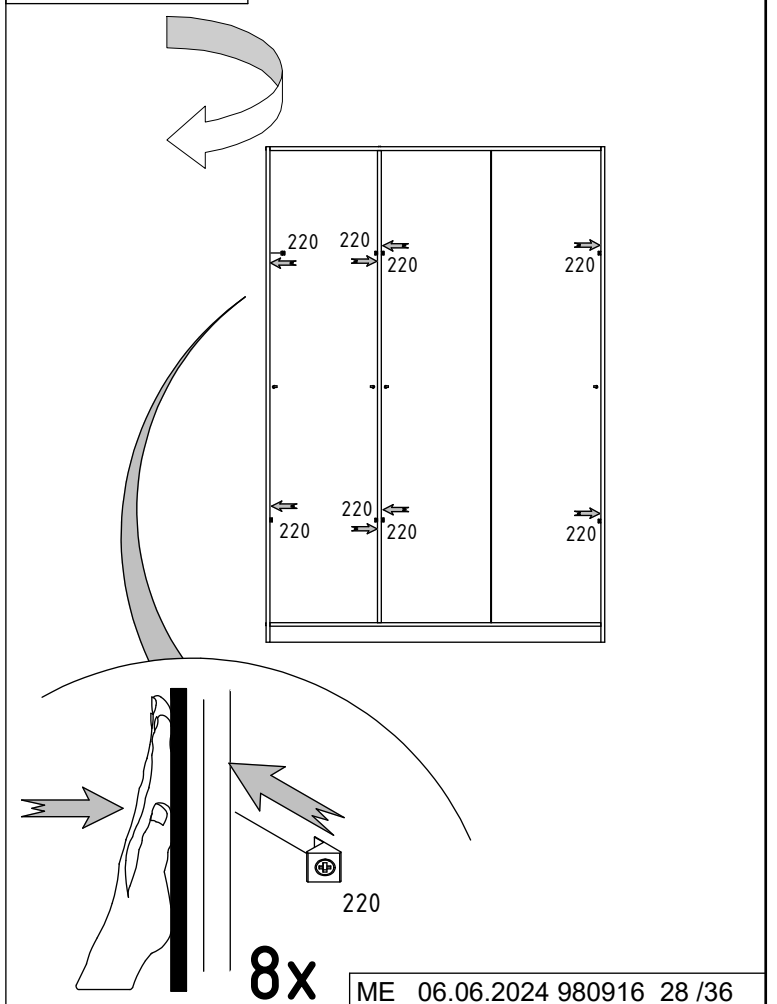
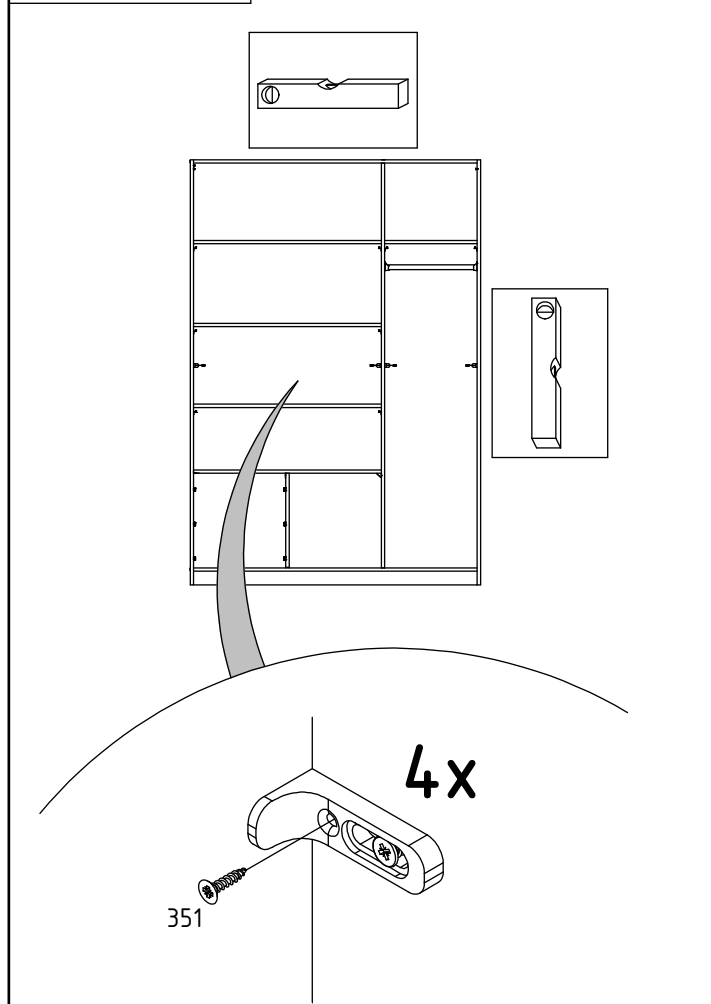
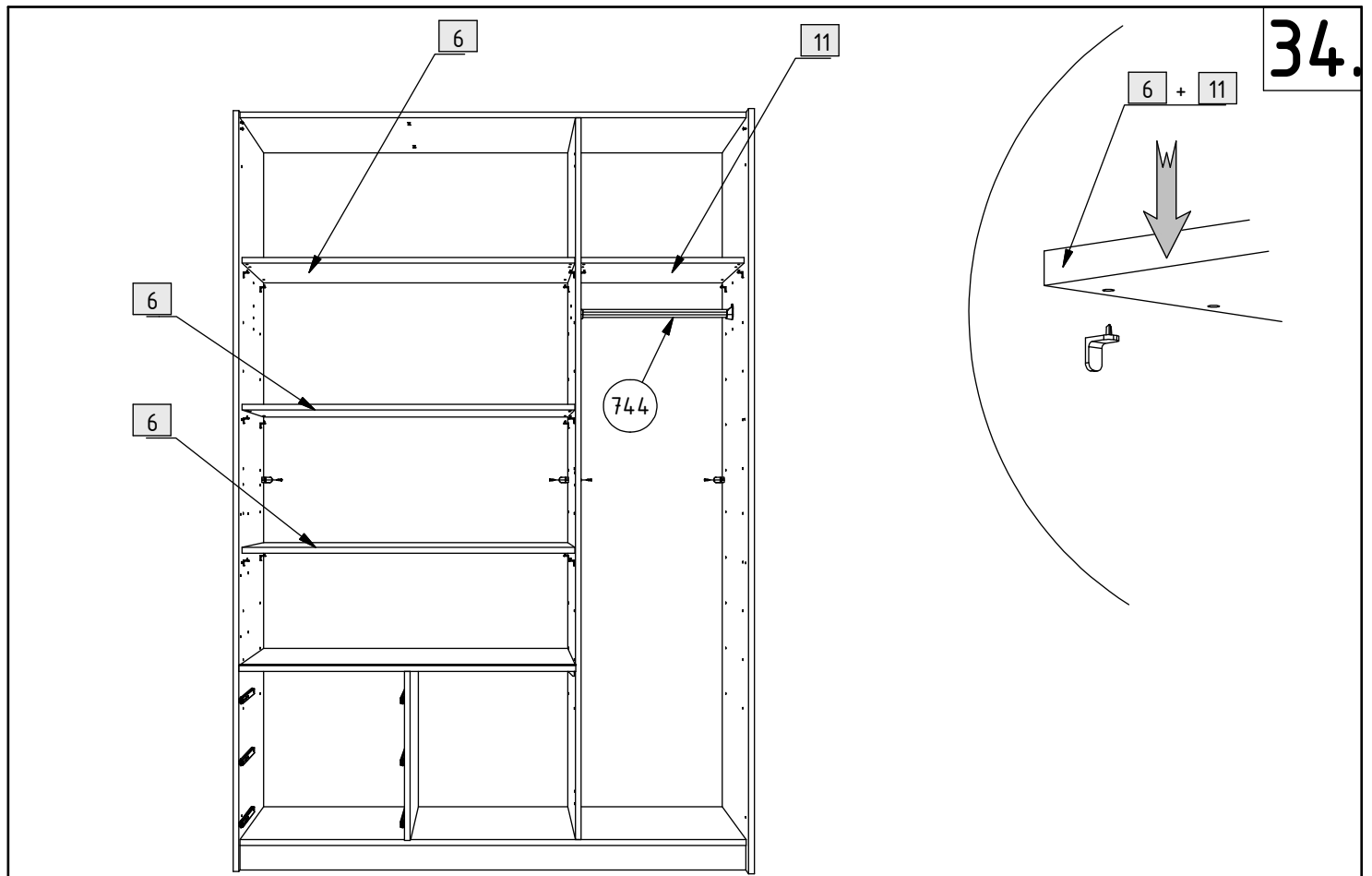


4x

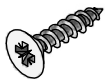


2x



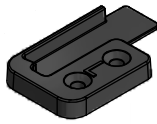


351



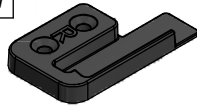
4x
3,5 x 15 mm

886



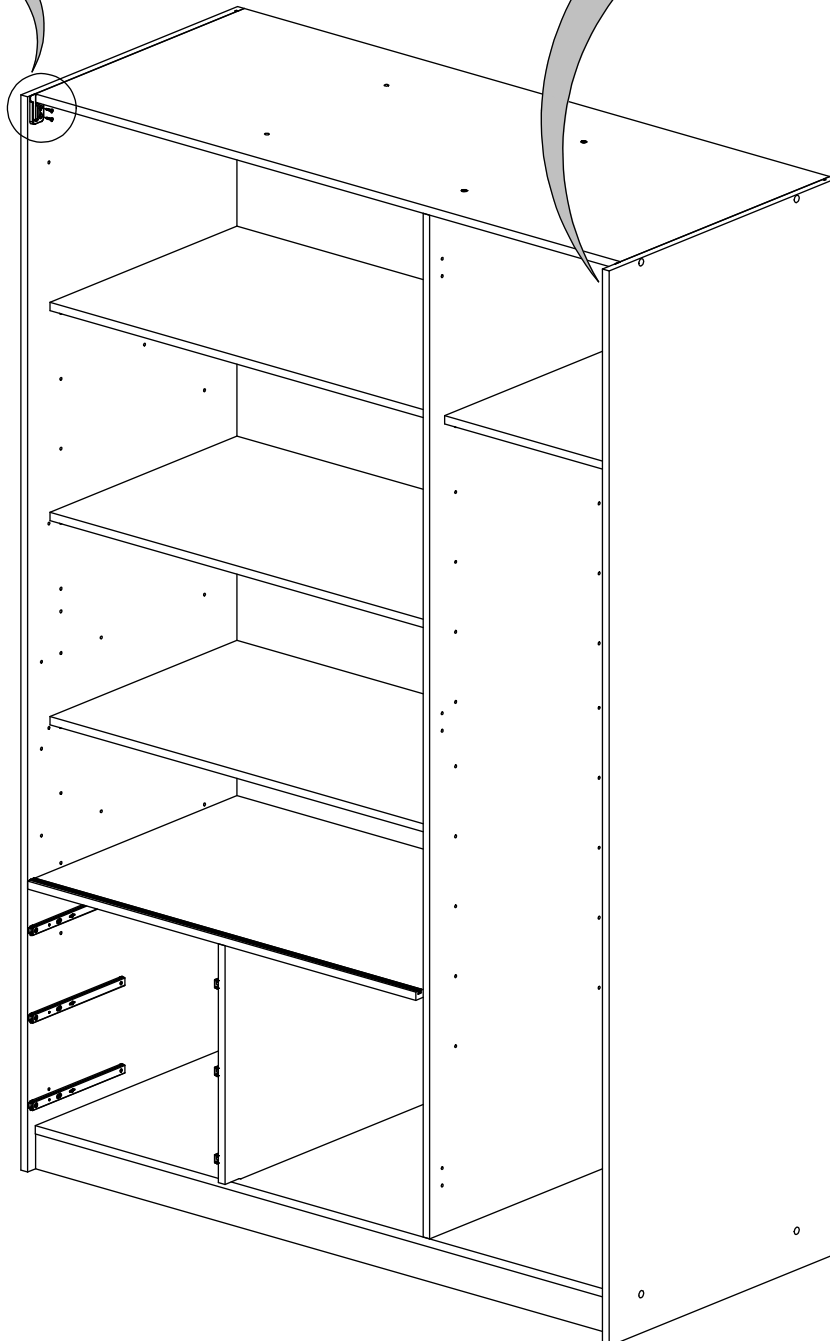
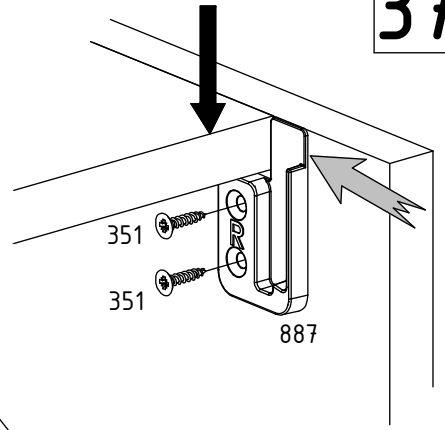
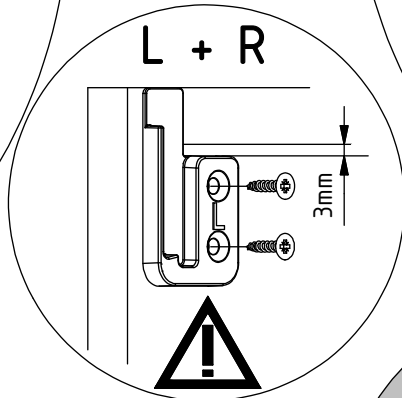
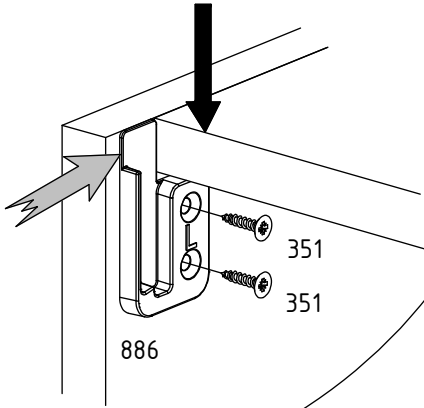
1x

887

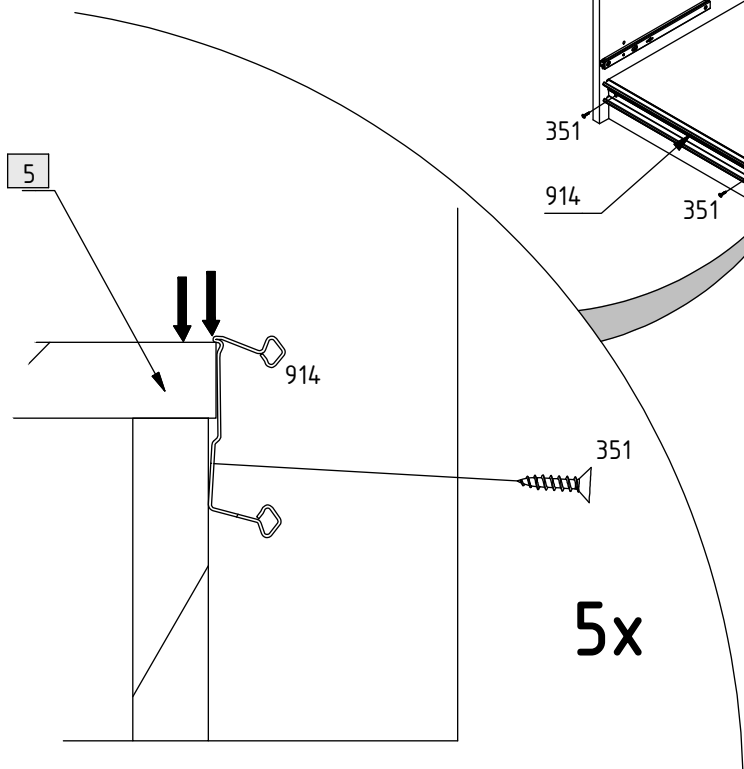
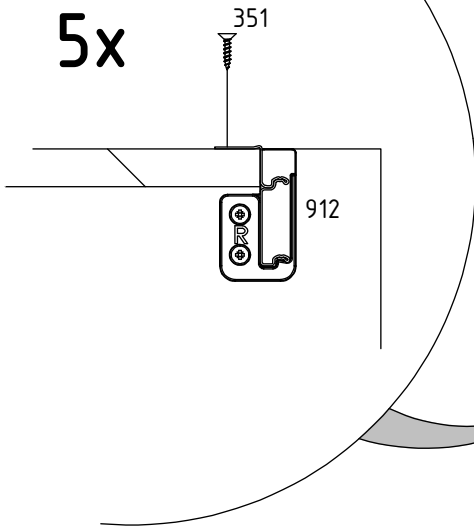
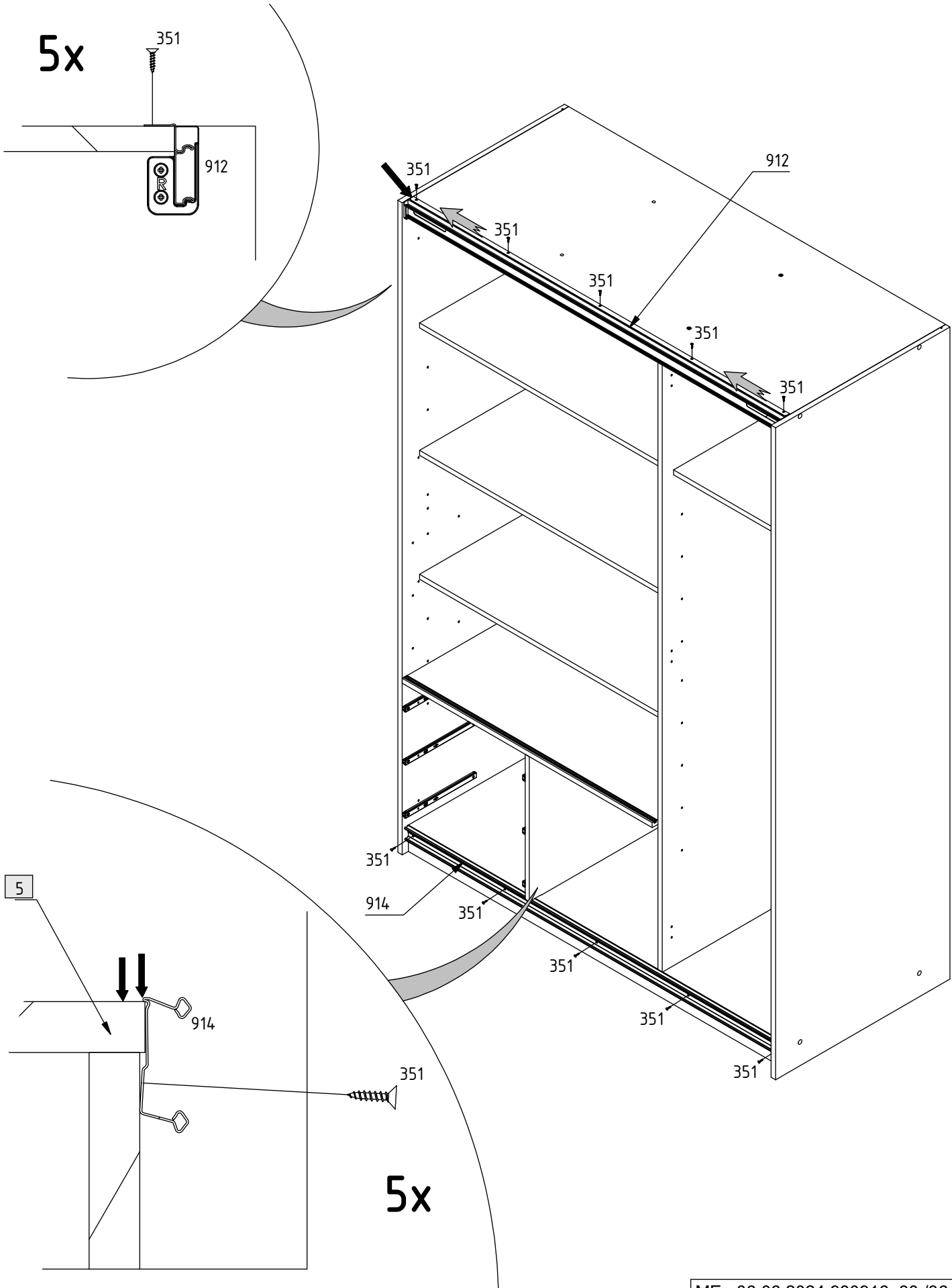


1x

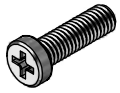
37.



| | | |
|---------------------------|--------------------------|--------------------------|
| 351 10x 3,5 x 15 mm | 912 1x L = 1311 mm | 914 1x L = 1312 mm |
|---------------------------|--------------------------|--------------------------|



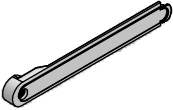
441



2x

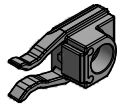
M6 x 20 mm

885



2x

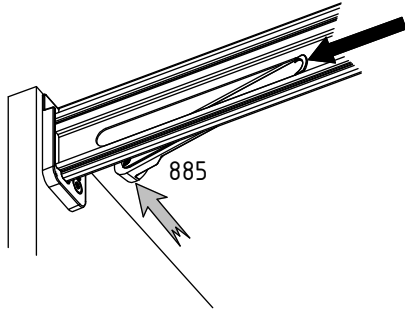
891



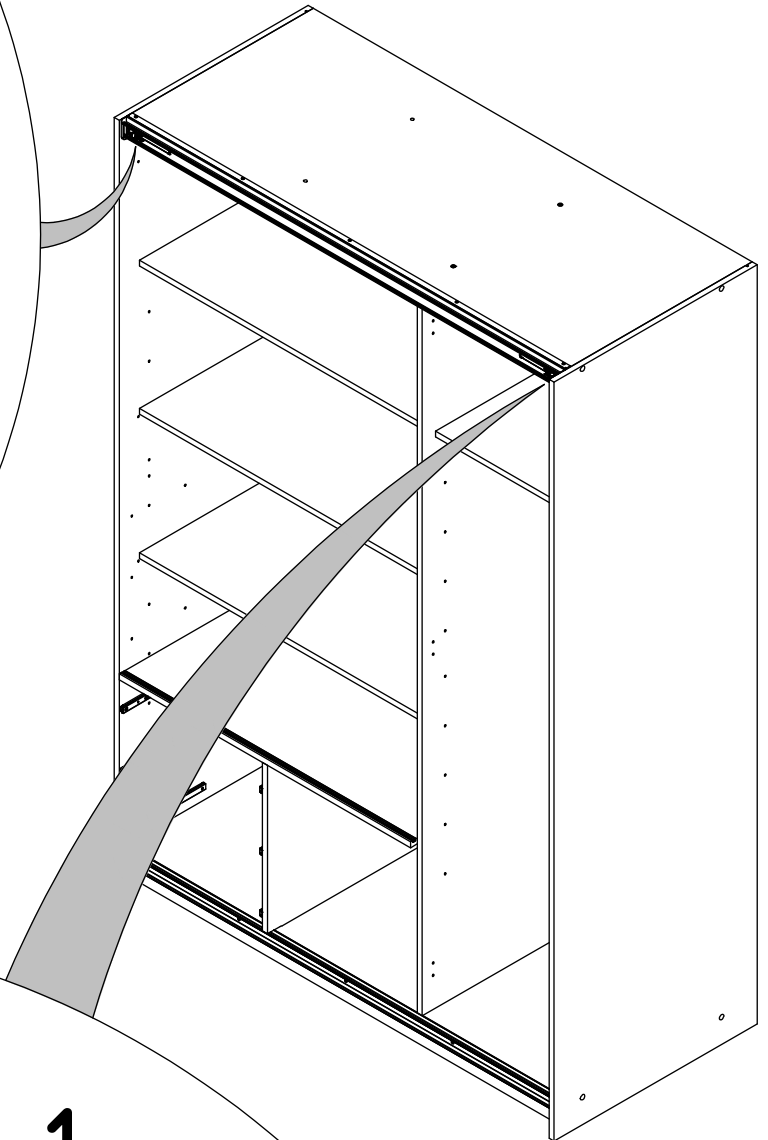
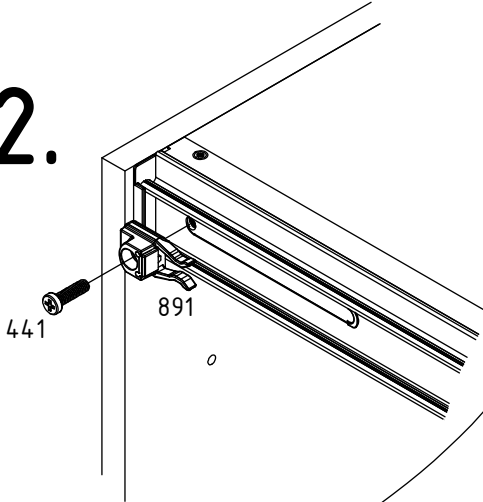
2x

39.

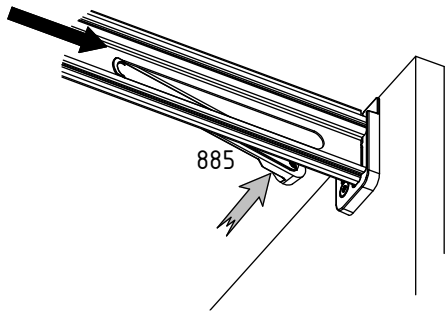
1.



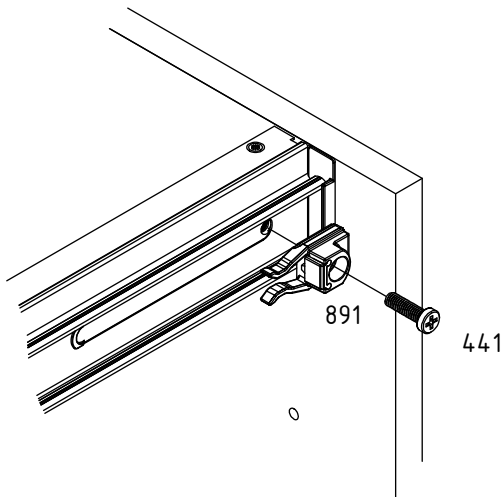
2.



1.



2.



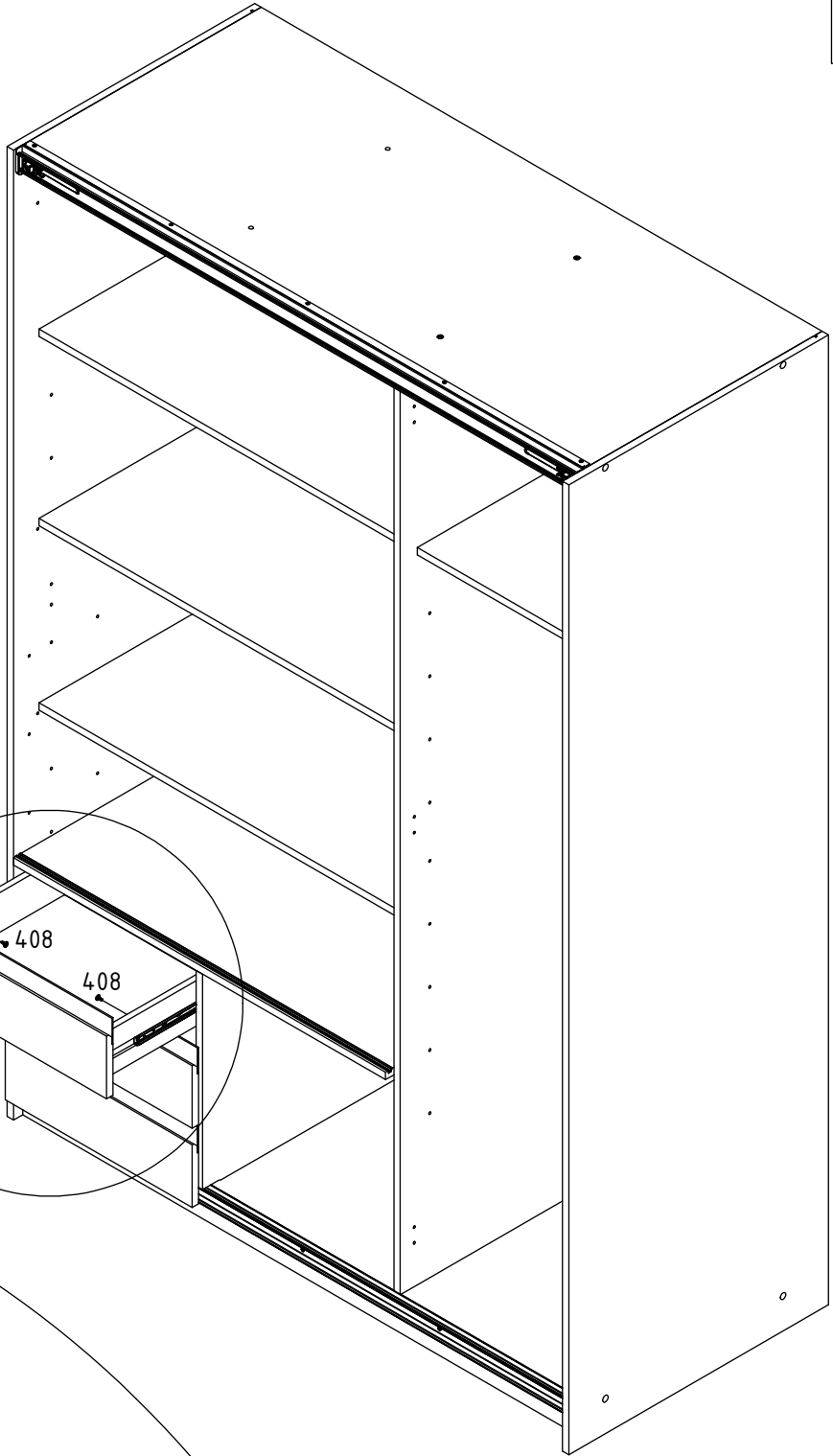
408



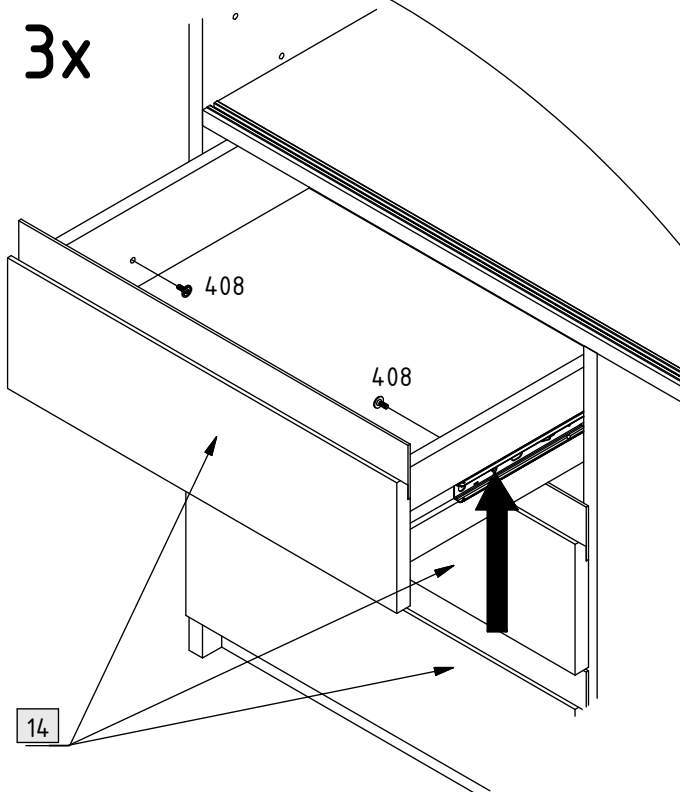
6x

M4 x 9 mm

40.



3x



14

102

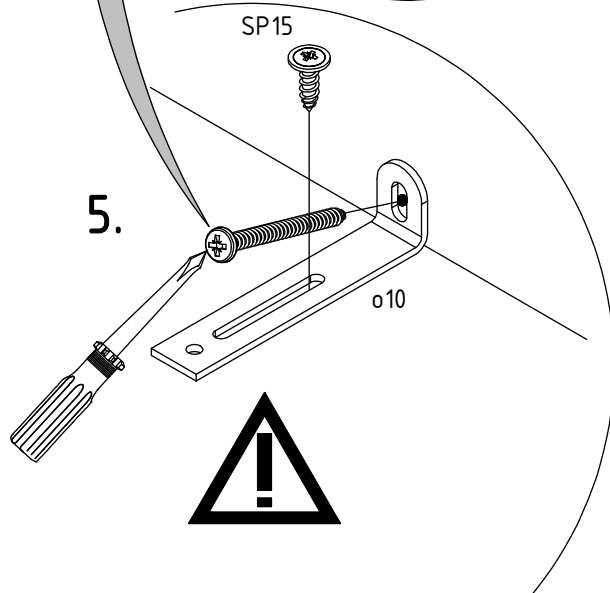
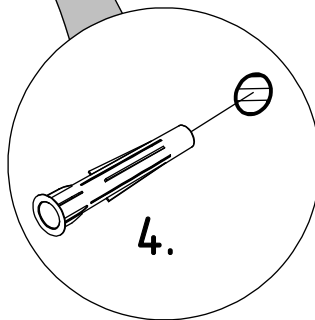
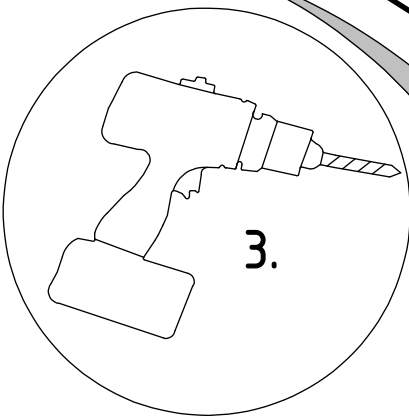
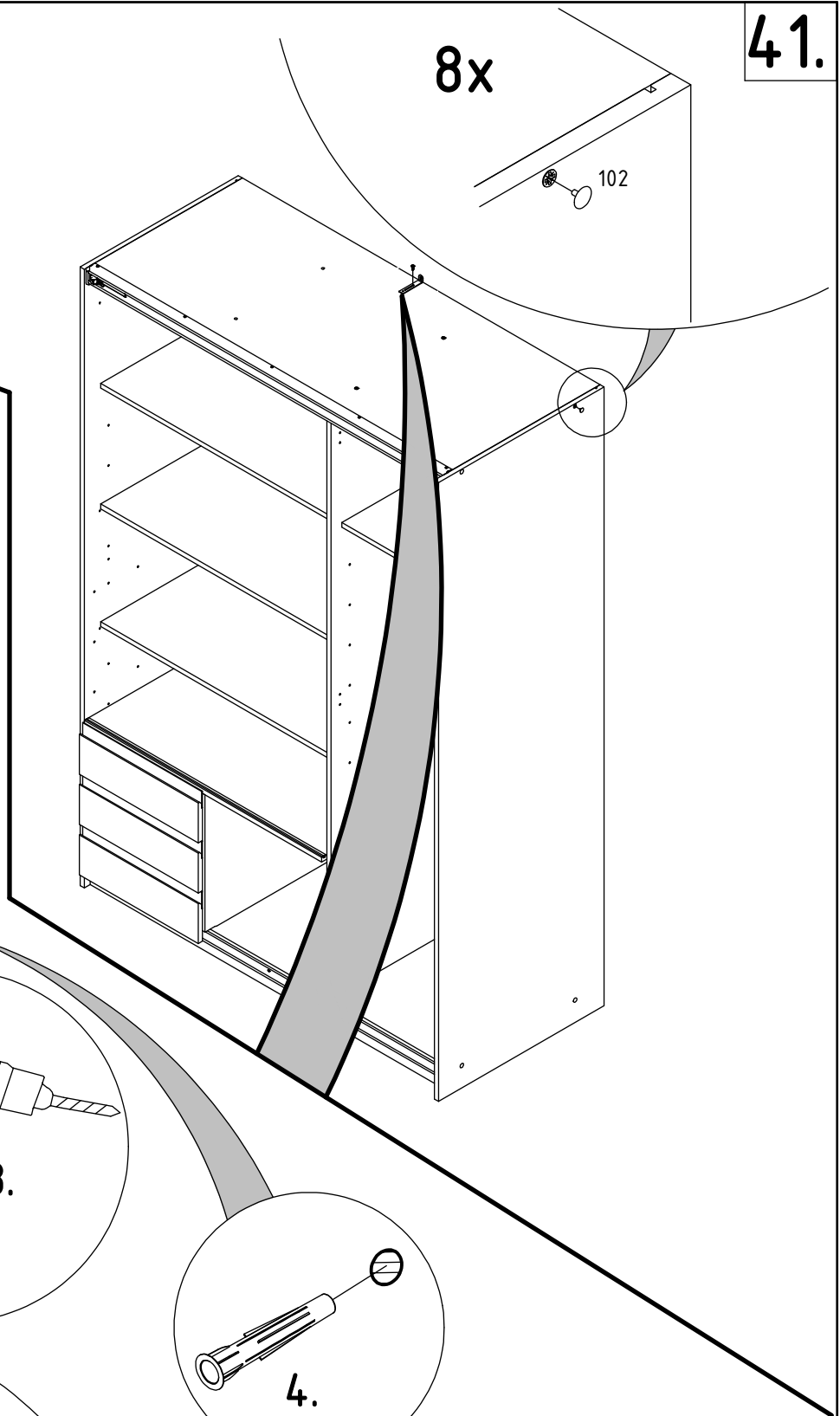
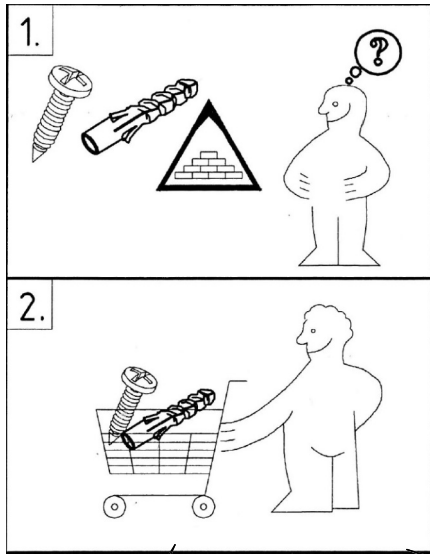
8x

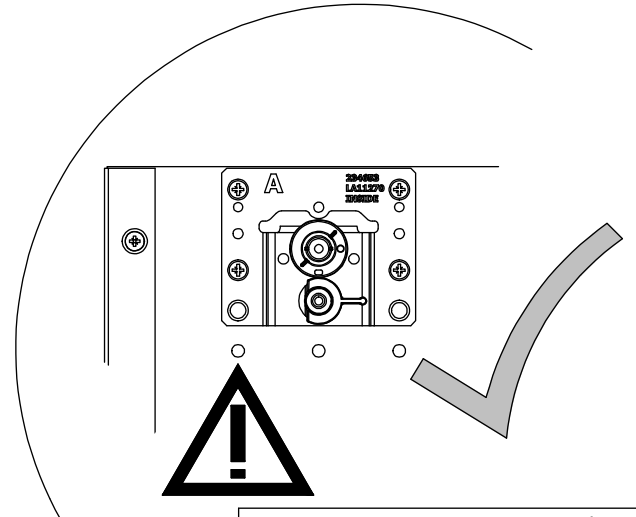
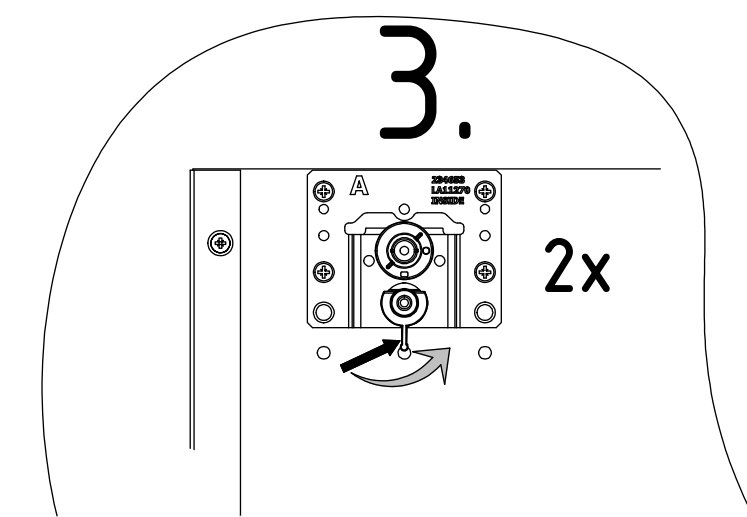
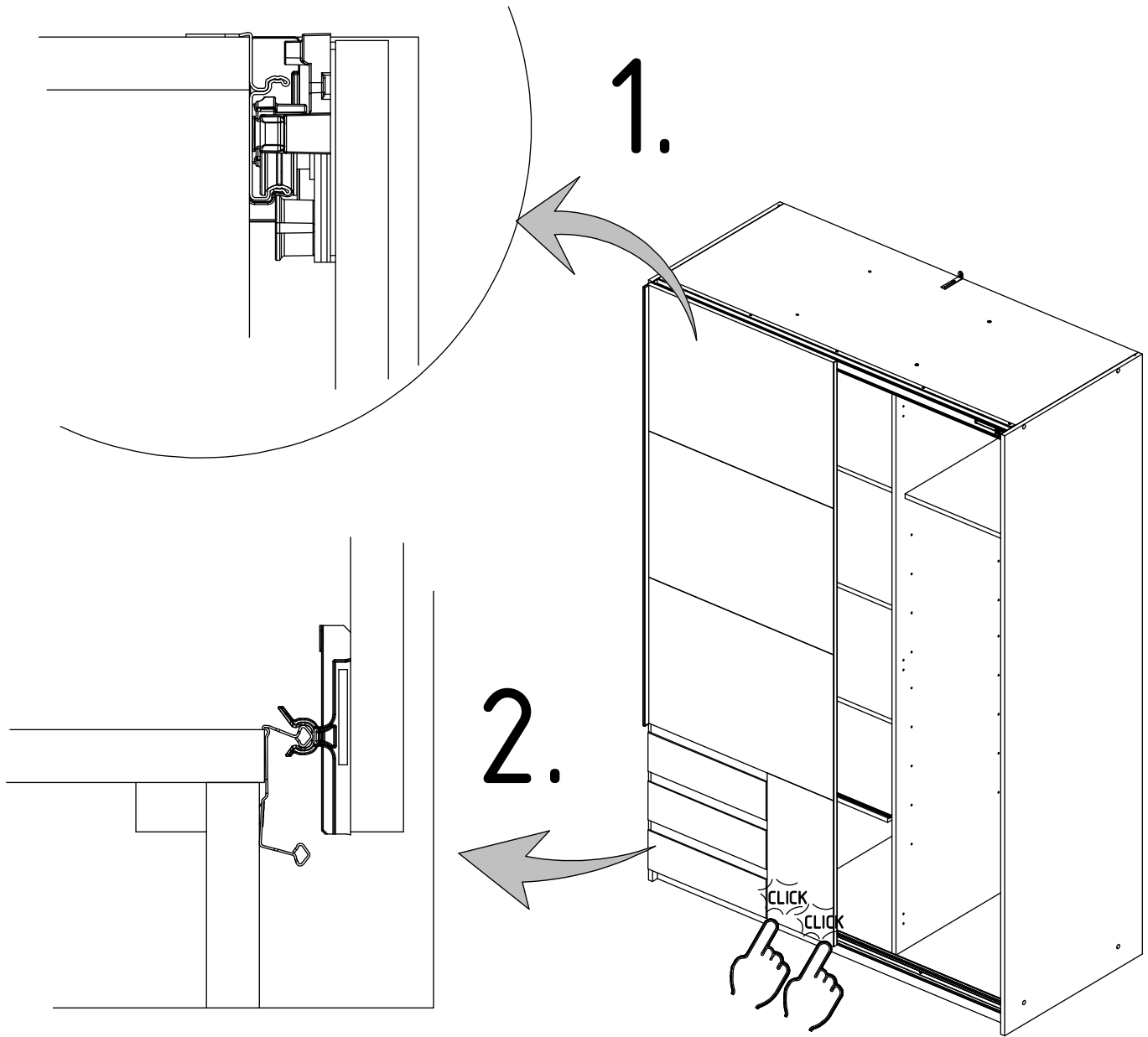
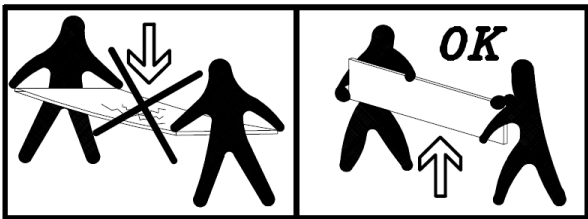


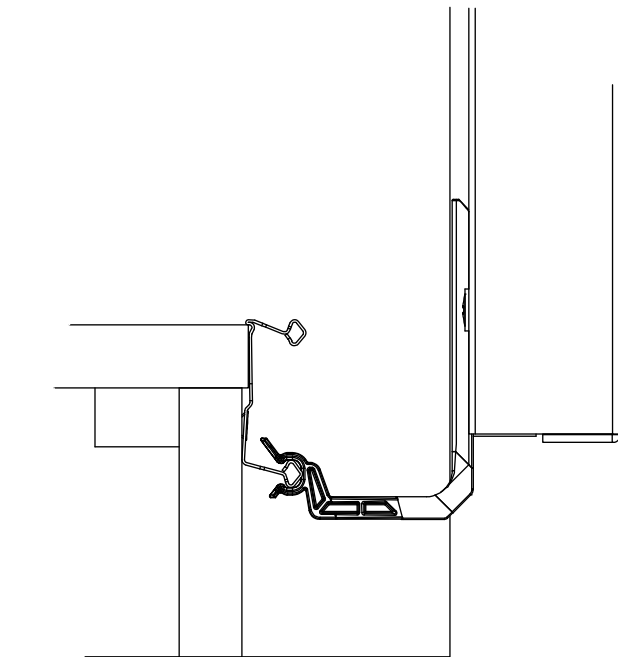
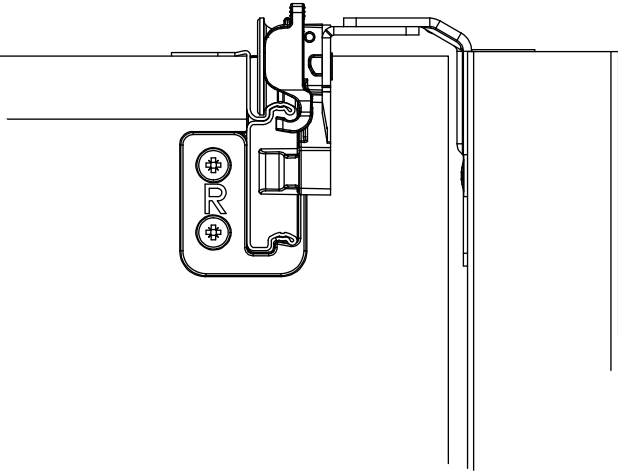
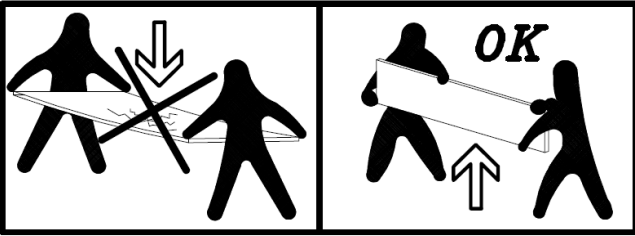
41.

8x

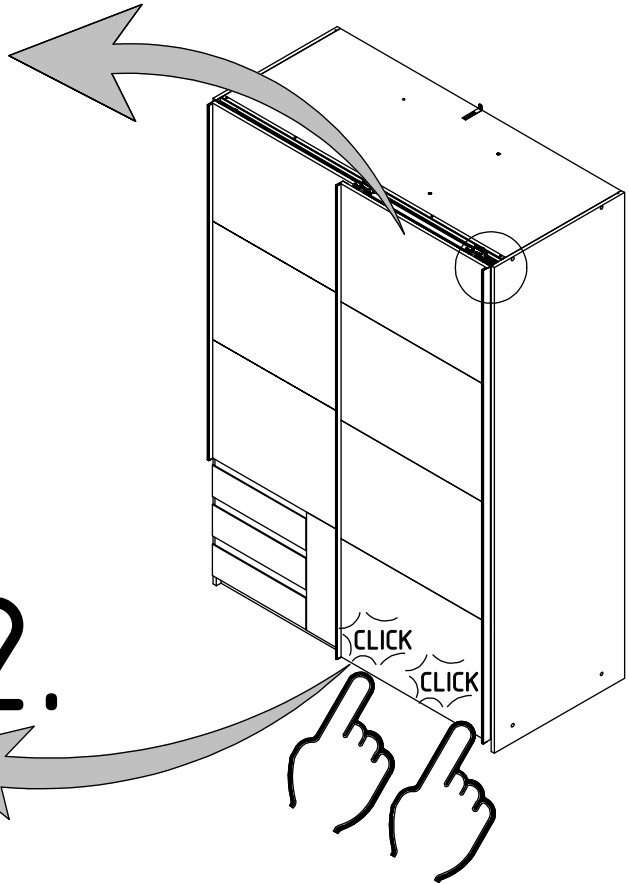
102







1.



2.

