



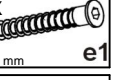
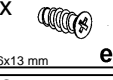
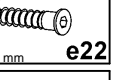
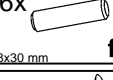
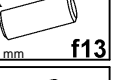
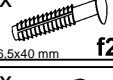
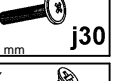
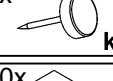


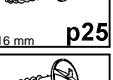
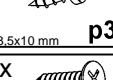
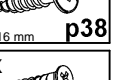
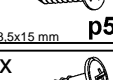
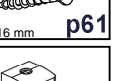
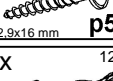



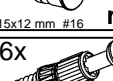


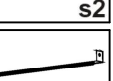


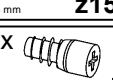
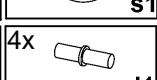
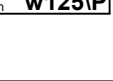
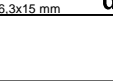
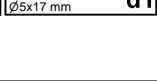
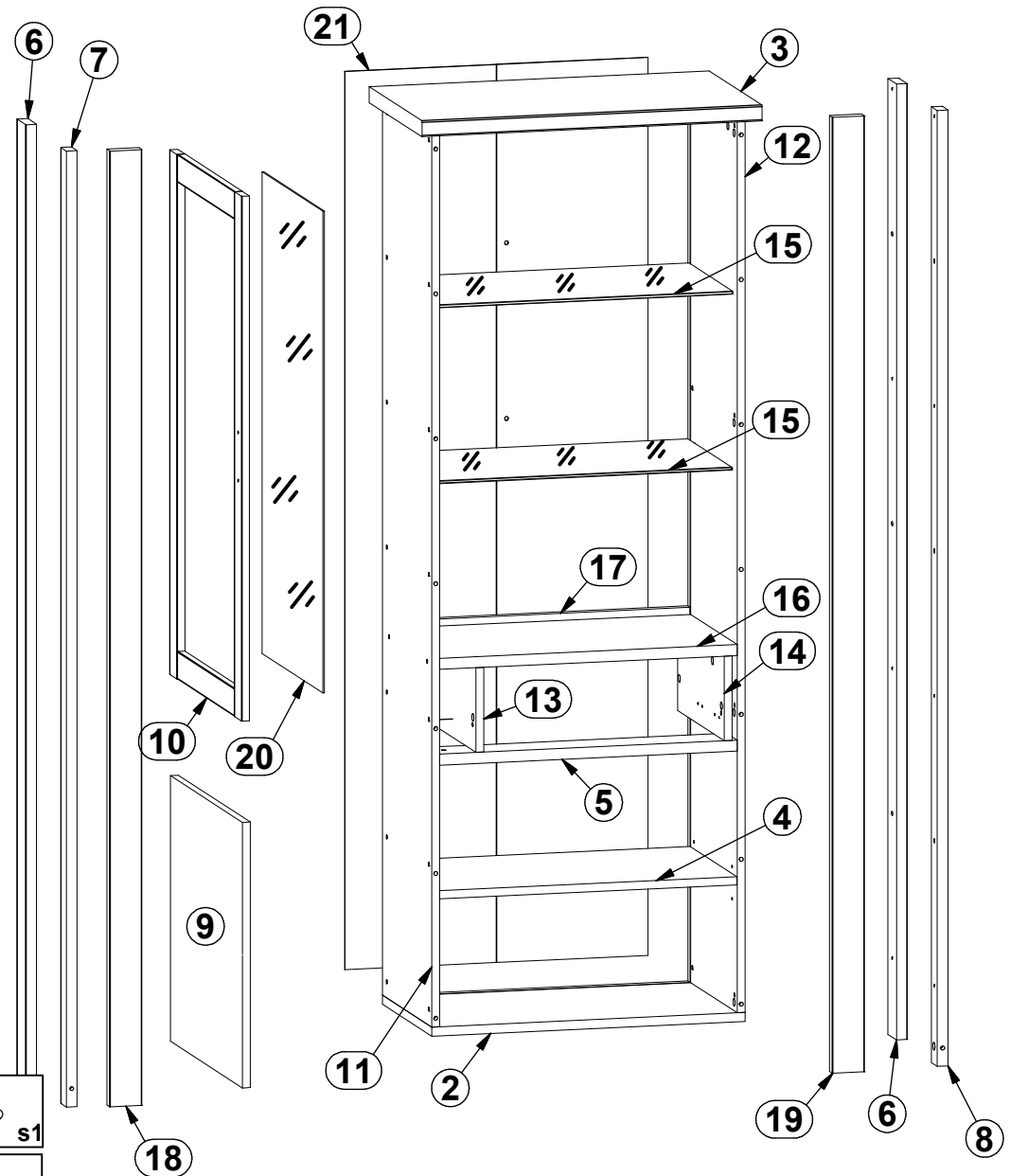
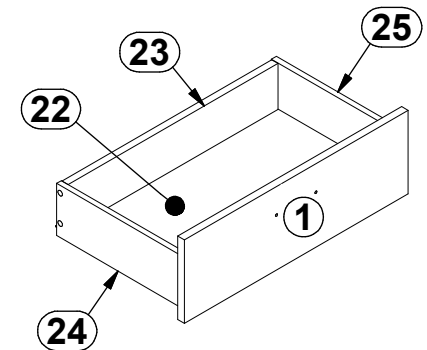
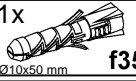
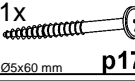
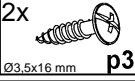



- 4x  a202
- 4x  b89
- 3x  c453
- 8x  d33
- 10x  e1
Ø7x50 mm
- 8x  e3
Ø6x13 mm
- 16x  e22
Ø7x28 mm
- 26x  f1
Ø8x30 mm
- 12x  f13
Ø8x20 mm
- 4x  f25
Ø6,5x40 mm
- 6x  j30
M4x22 mm
- 4x  k1
- 12x  i2
- 10x  i3
- 1x  p25
Ø3,5x16 mm
- 1x  p35
Ø3,5x10 mm
- 4x  p38
Ø3,5x16 mm
- 8x  p51
Ø3,5x15 mm
- 10x  p61
Ø3,5x16 mm
- 2x  p55
Ø2,9x16 mm
- 2x  o85\1
- 1x  o80\11
12W
- 1x  o80\3
- 22x  r1
Ø15x12 mm #16
- 4x  r15
Ø12x10,5 mm #12
- 26x  r42
20/11
- 8x  s2
Ø16
- 1x  w125\L
300mm
- 1x  t25
300 mm
- 1x  z15
4 mm
- 8x  s1
- 1x  w125\P
300mm
- 1x  d4
Ø6,3x15 mm
- 4x  d1
Ø5x17 mm

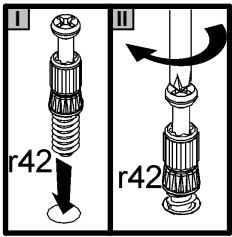
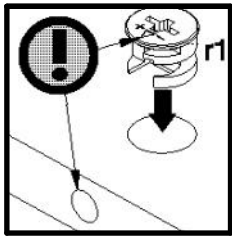
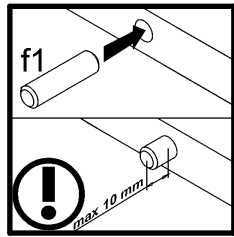


A	B	C1	C2	C3	D
1	M249-0001	545	176	16	2/3
2	M249-2002	636	373	18	1/3
3	M249-2007	690	400	32	1/3
4	M249-3004	603,	353	16	2/3
5	M249-4001	604,	80	22	1/3
6	M249-5016	1900	65	22	3/3
7	M249-5017	1900,	43	22	3/3
8	M249-5018	1900,	43	22	3/3
9	S510-0018	528	545	16	2/3
10	S510-0019	1043	545	16	2/3
11	S510-1032	1775	373	16	3/3
12	S510-1033	1775	373	16	3/3
13	S510-1034	168	353	16	2/3
14	S510-1035	168	353	16	2/3
15	S510-3003	597	330	6,	1/3
16	S510-3022	604	353	22	1/3
17	S510-4002	604,	100	16	2/3
18	S510-5075	1900	65	22	3/3
19	S510-5076	1900	65	22	3/3
20	S510-5506	958	460	3	2/3
21	S510-9303	1785	615,	2,5	3/3
22	WSP-9310	521	308	2,5	1/3
23	ZQ6-5100	511	97	15	2/3
24	ZQ6-517	300	110	12	1/3
25	ZQ6-518	300	110	12	1/3

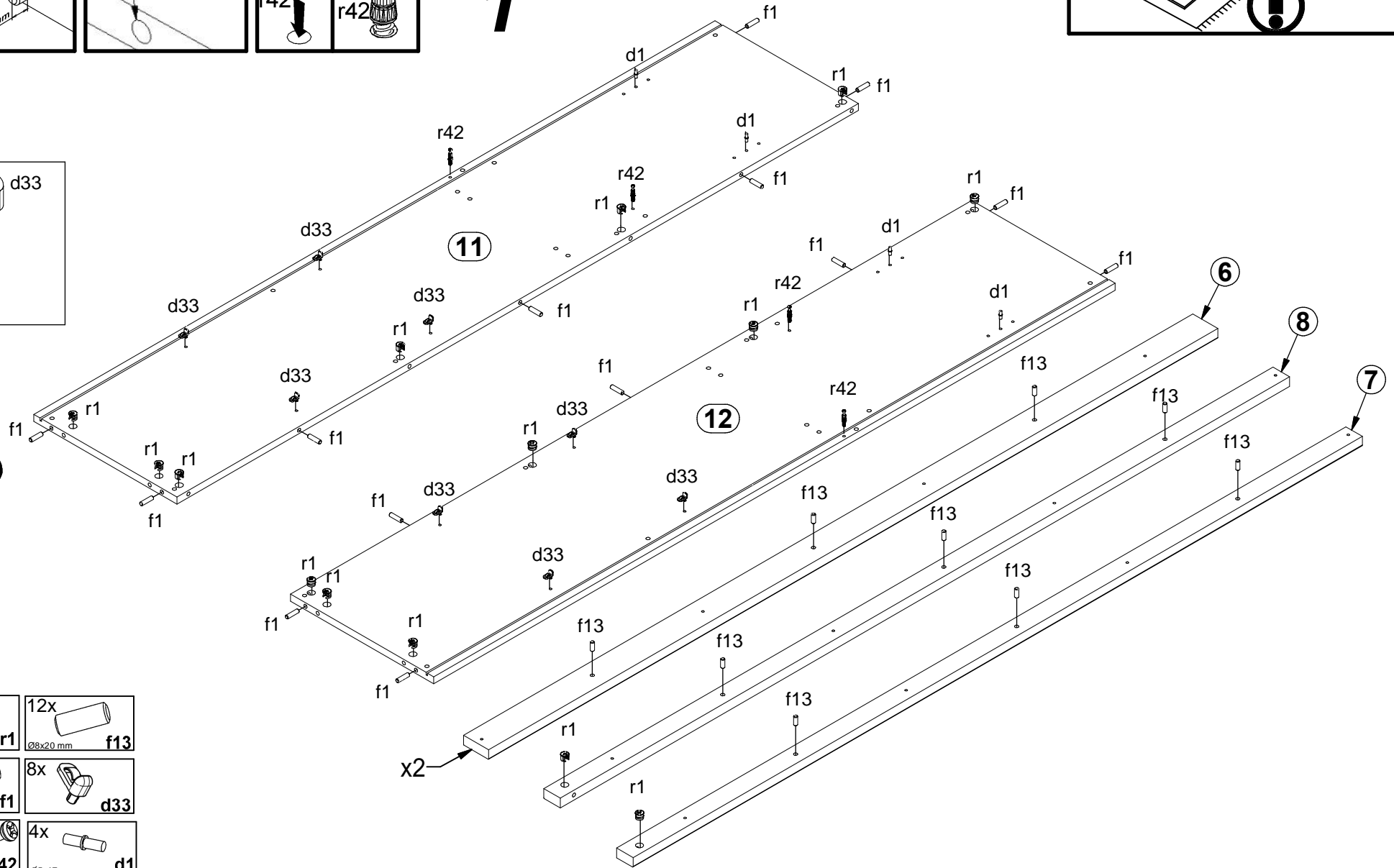
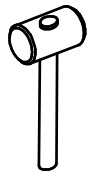
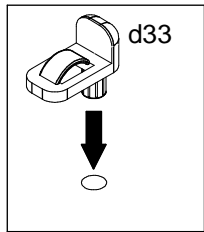
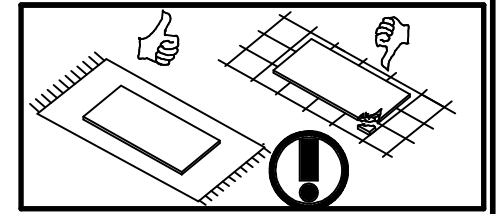


- 1x  f35
Ø10x50 mm
- 1x  p17
Ø5x60 mm
- 2x  p38
Ø3,5x16 mm
- 1x  n142
88x21x15/1,5

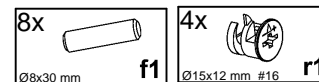
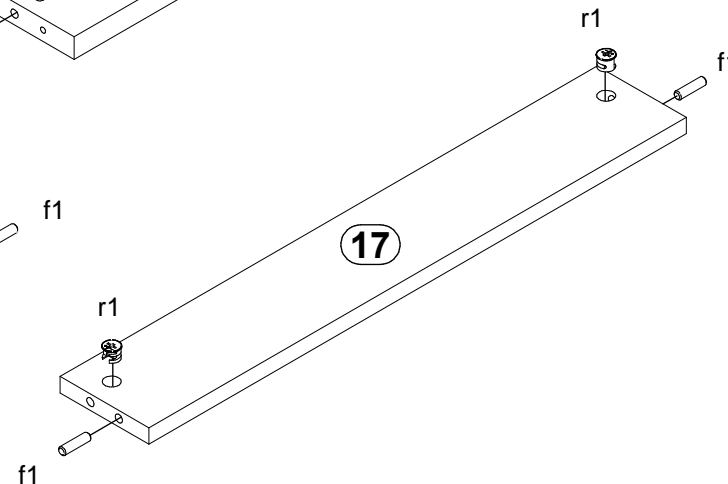
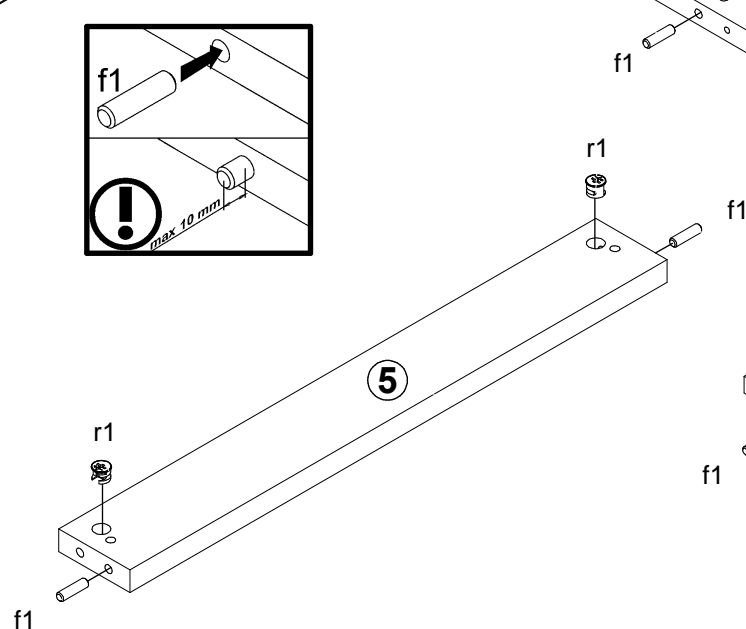
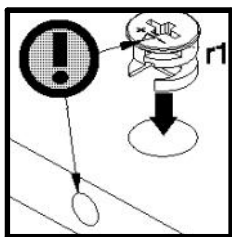
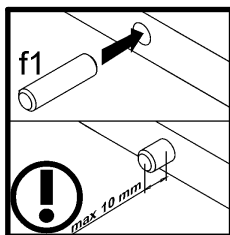
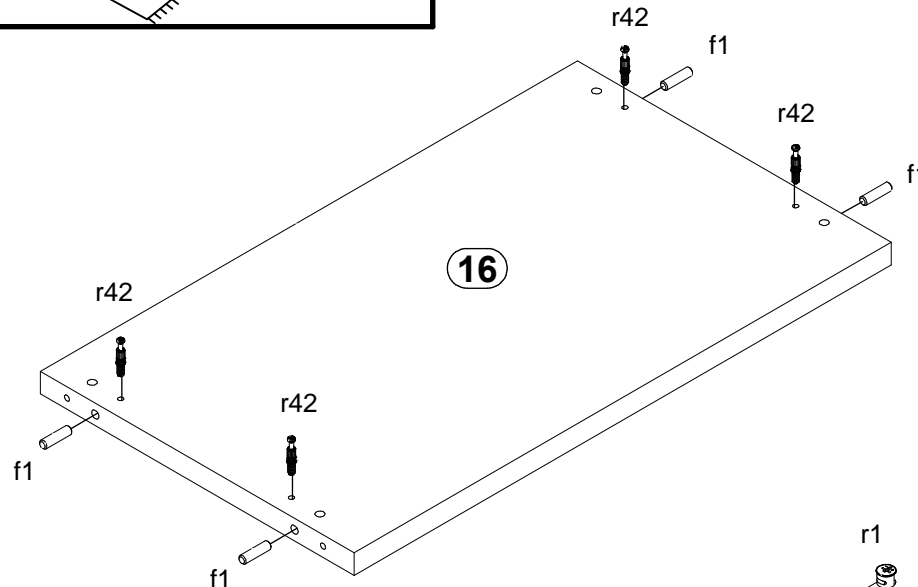
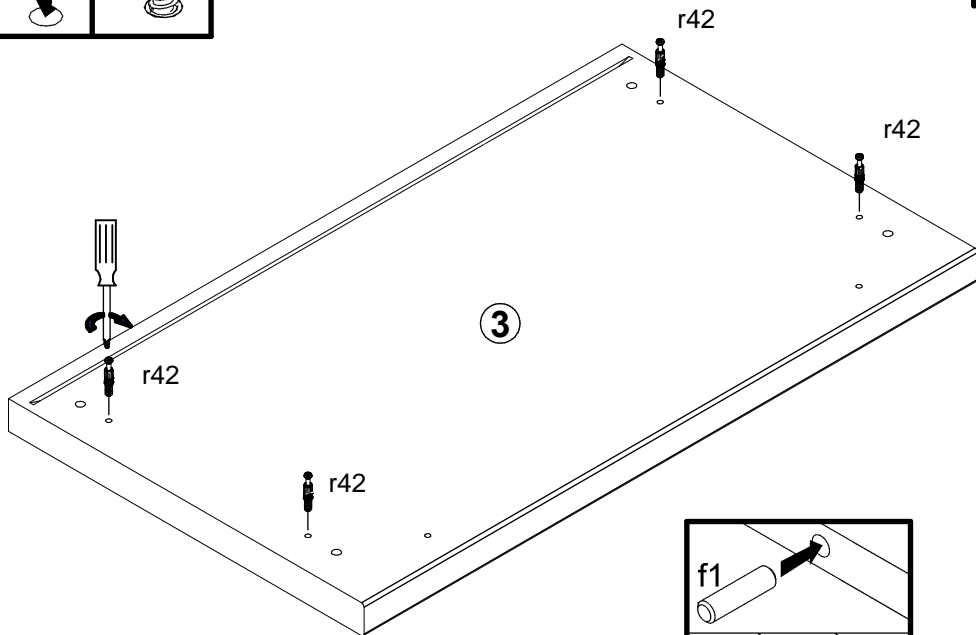
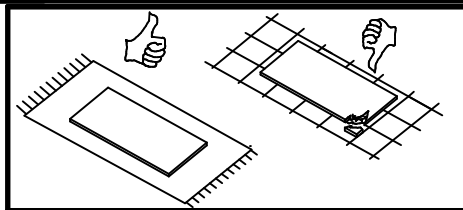
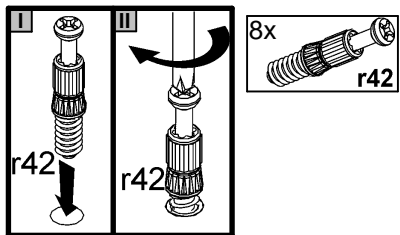


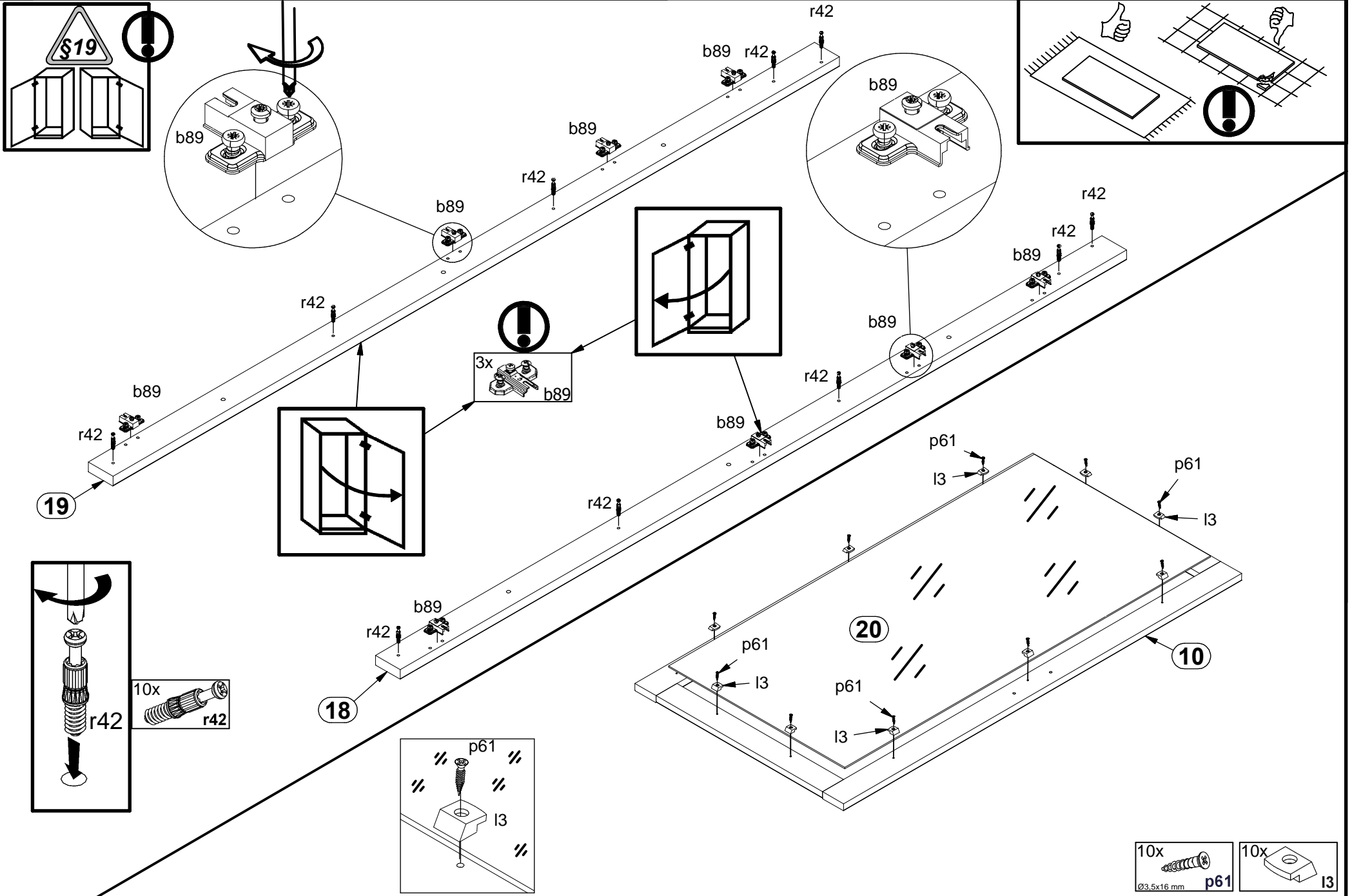


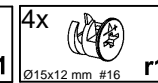
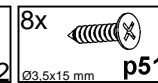
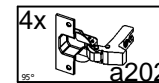
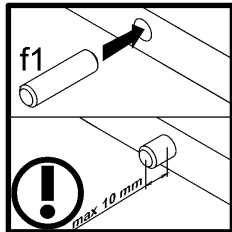
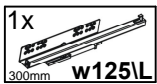
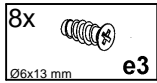
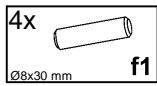
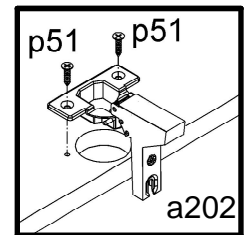
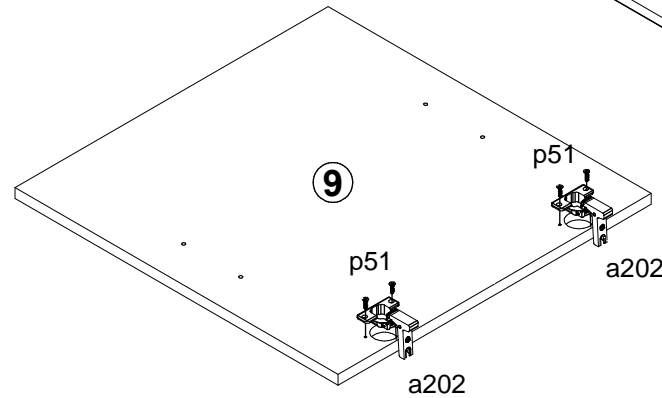
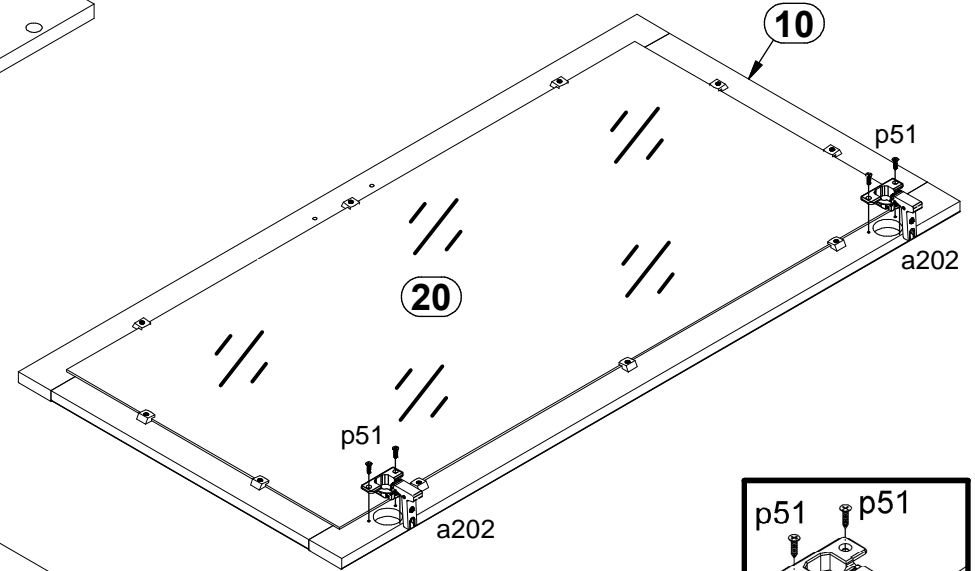
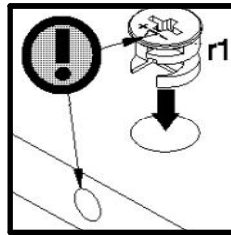
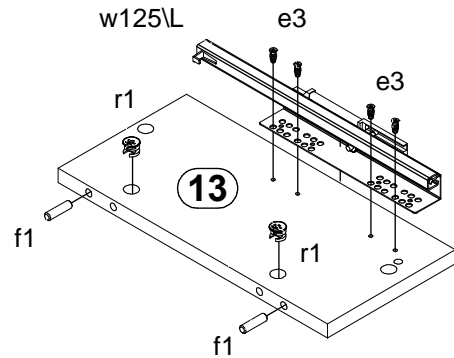
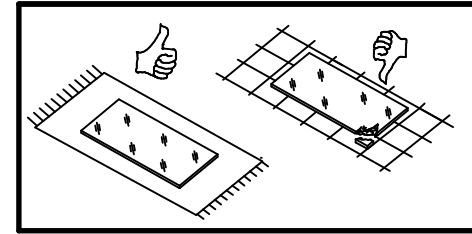
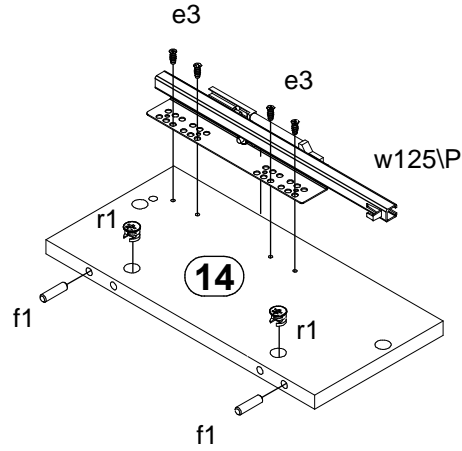
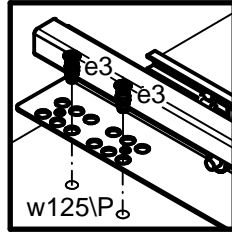
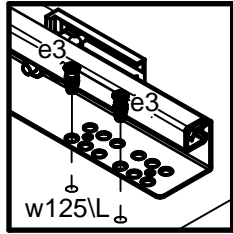
1



14x Ø15x12 mm #16 r1	12x Ø8x20 mm f13
14x Ø8x30 mm f1	8x d33
4x r42	4x Ø5x17 mm d1







I

4x r42

§6

§7

1

r42

II

4x Ø6.5x40 mm f25

23

24

f25

25

III

c453

1

23

22

25

r42

r15

j30

1

r15

IV

22

23

24

t25

p35

p38

p25

8 mm

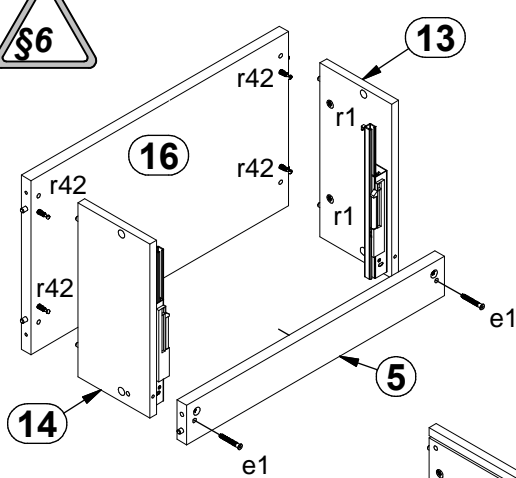
1x 300 mm t25

1x Ø3.5x16 mm p25

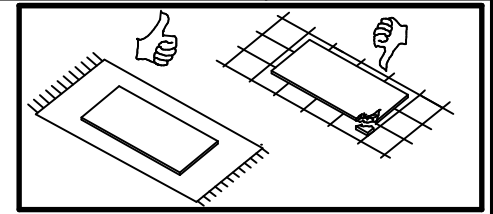
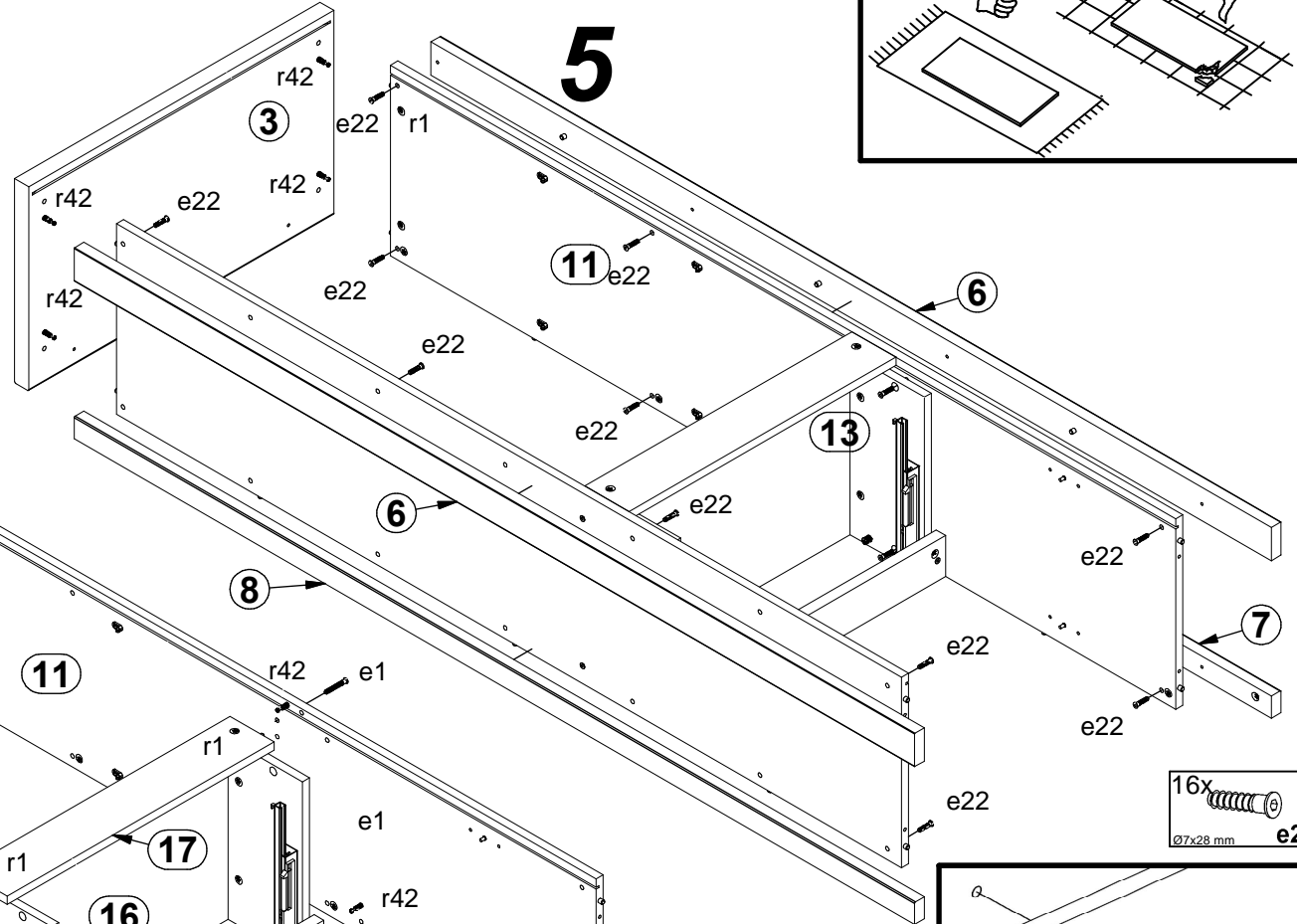
1x Ø3.5x10 mm p35

4x Ø3.5x16 mm p38

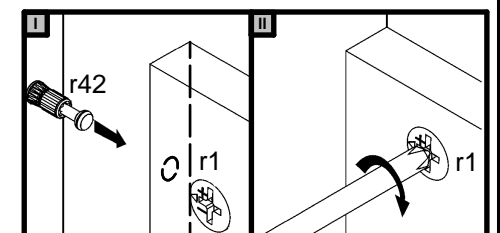
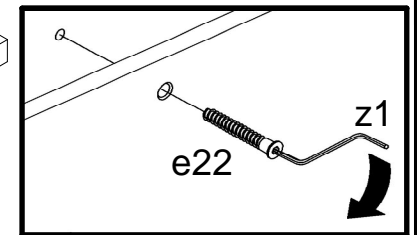
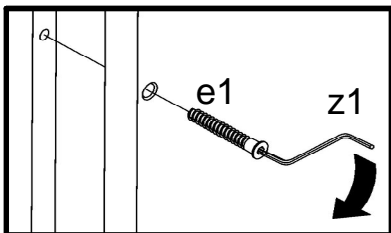
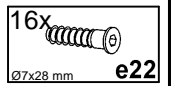
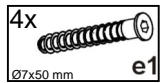
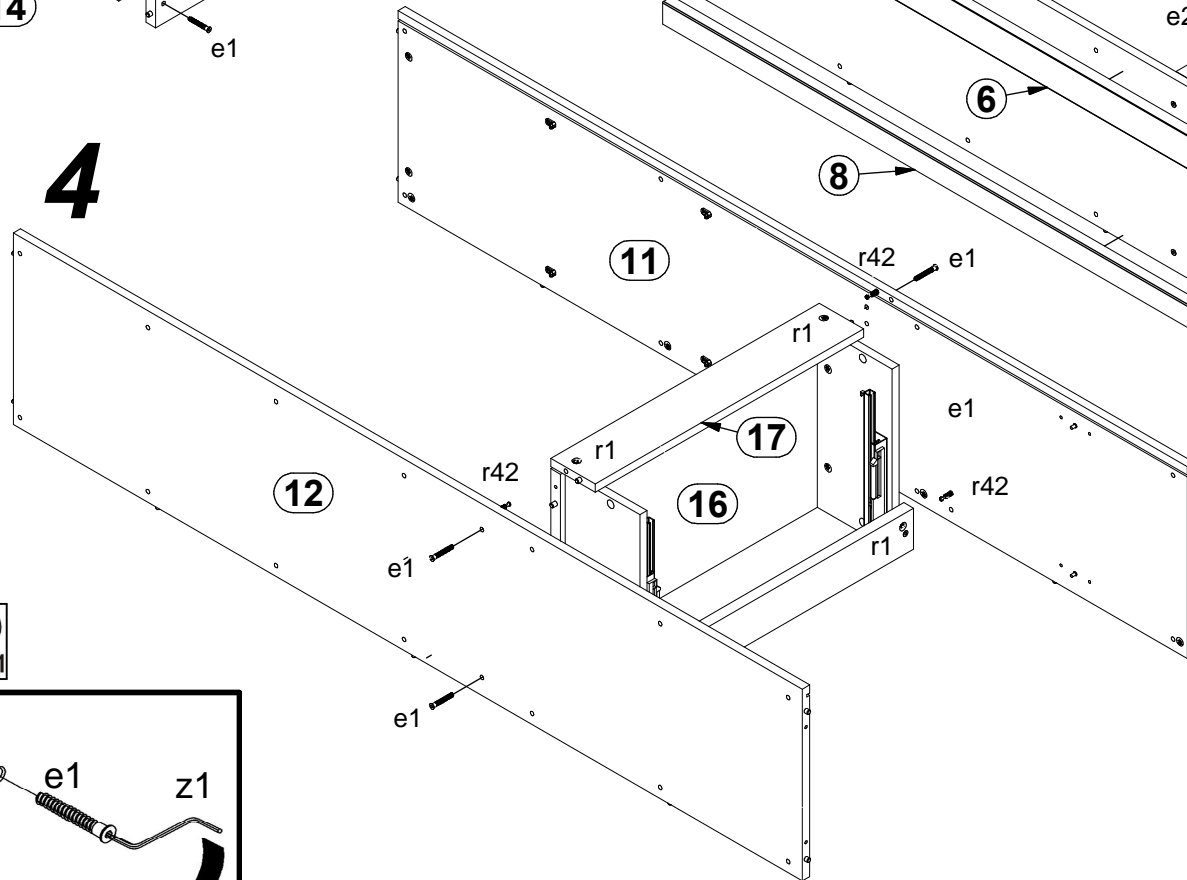
3

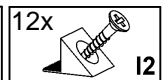
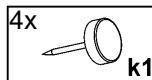
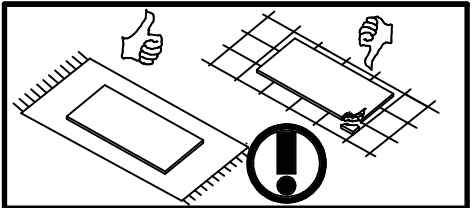
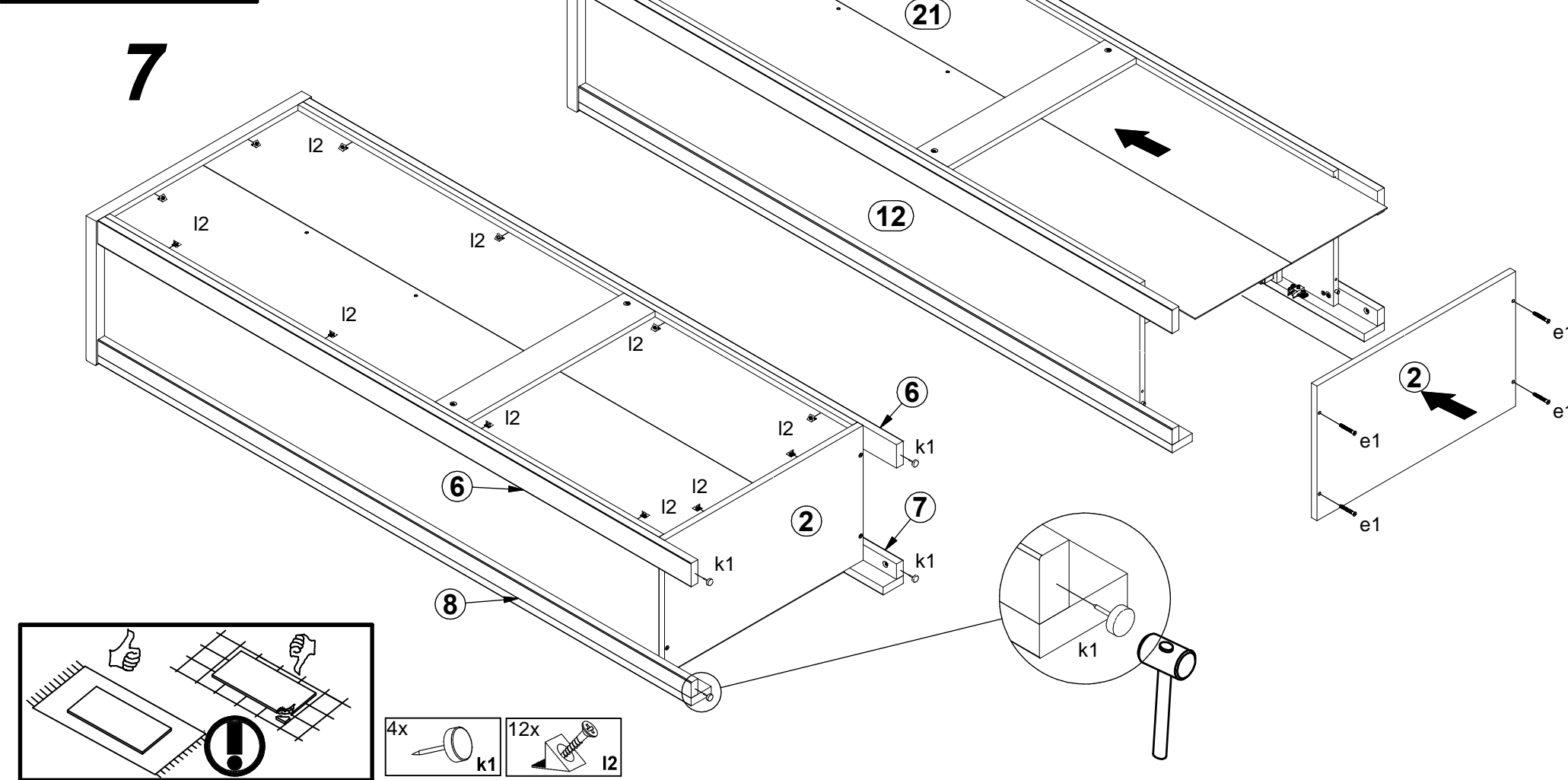
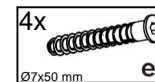
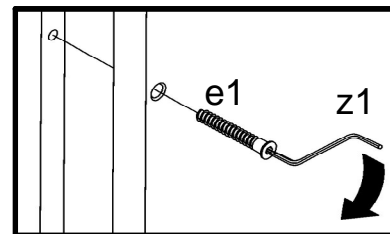
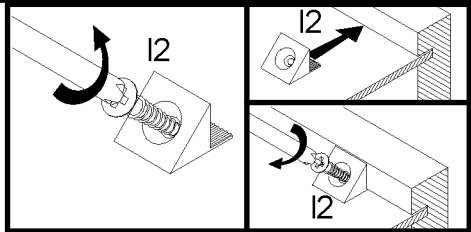
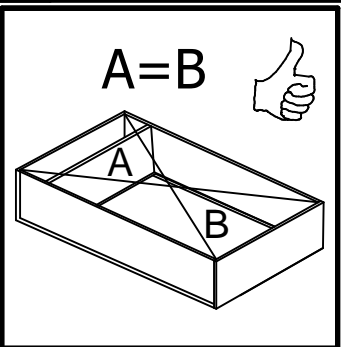


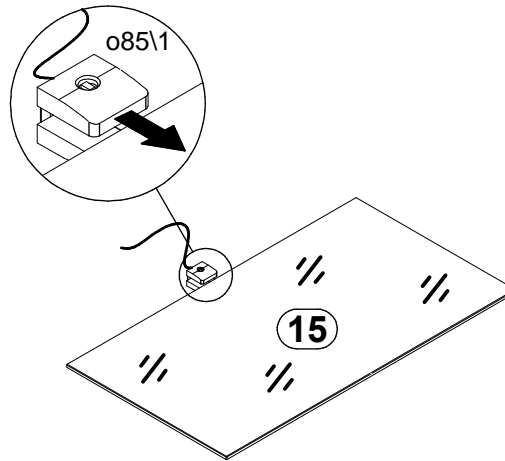
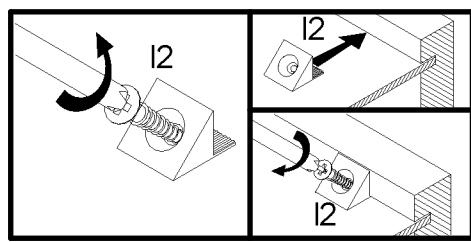
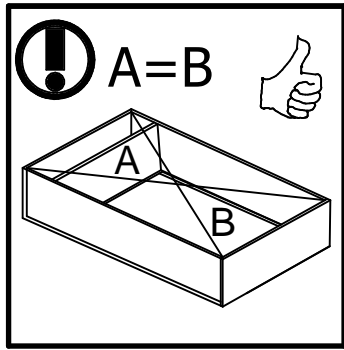
5



4

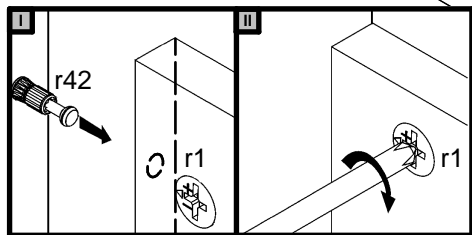
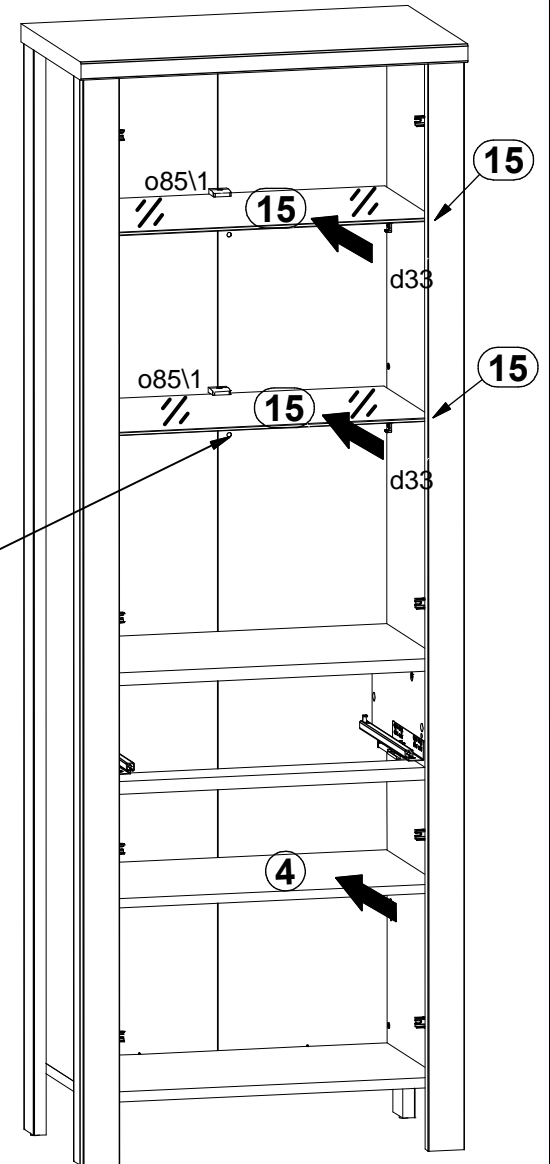
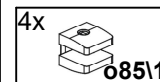
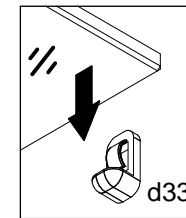
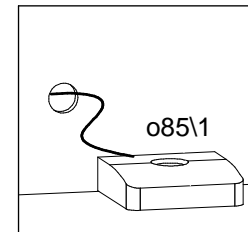
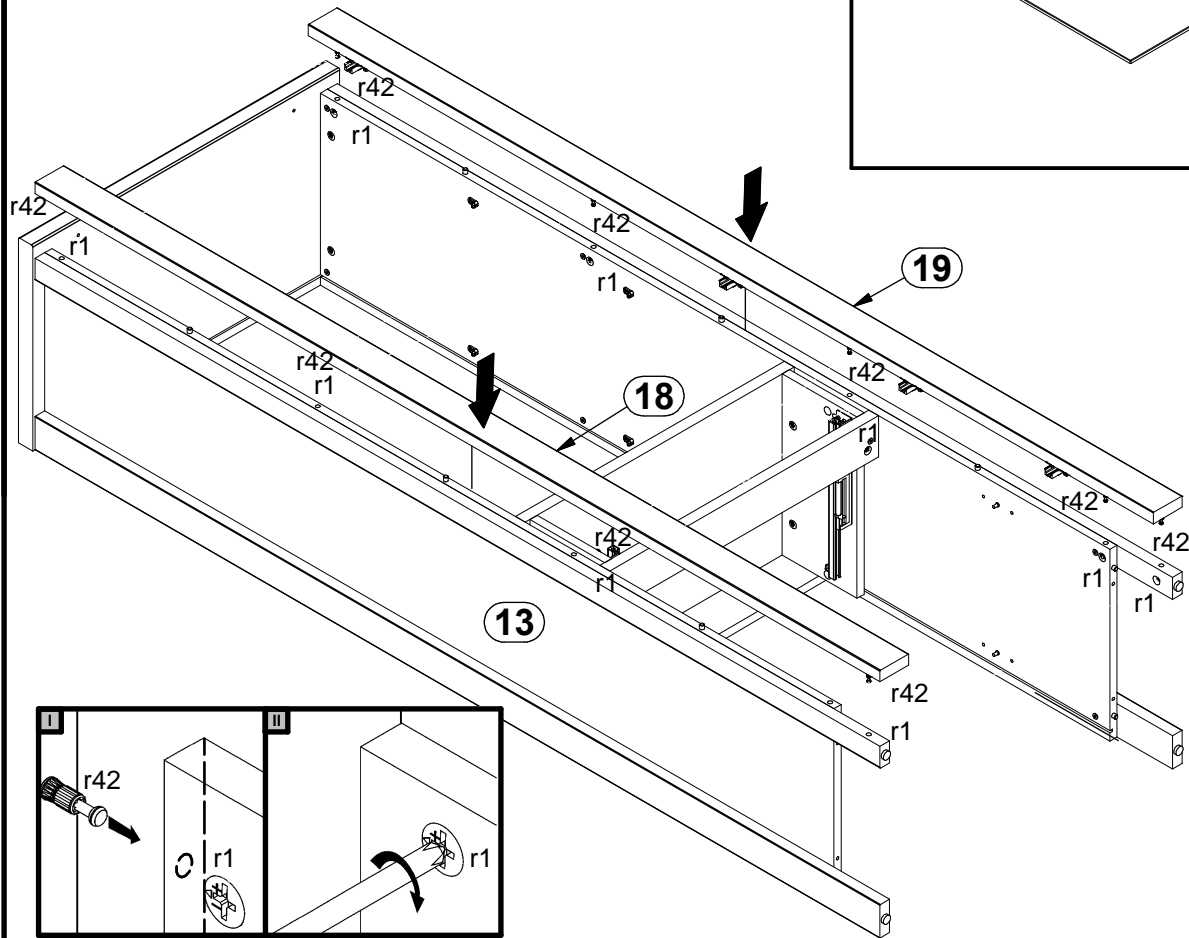




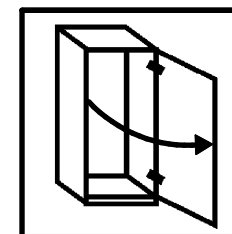
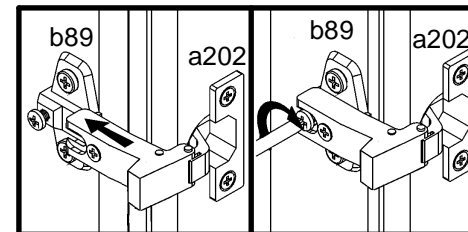
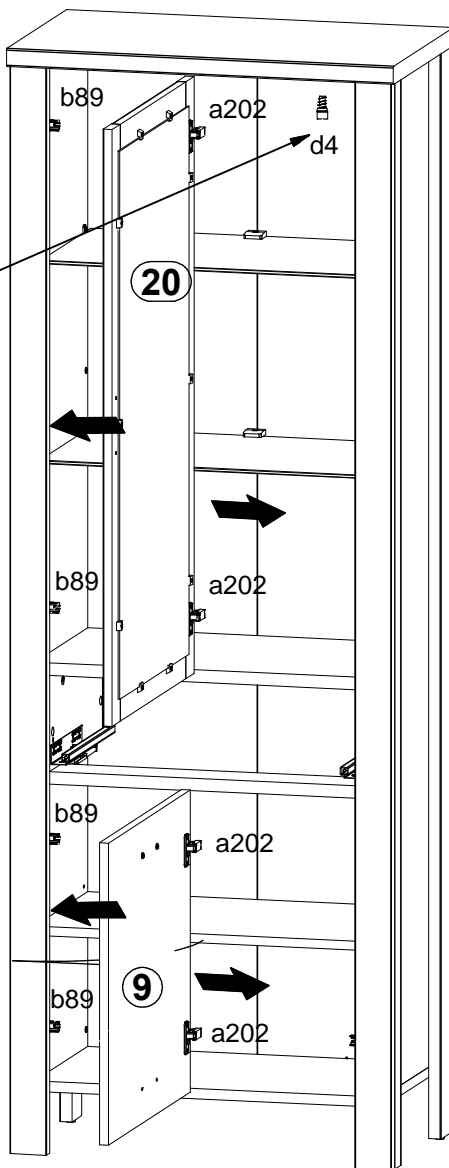
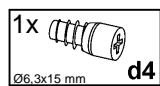
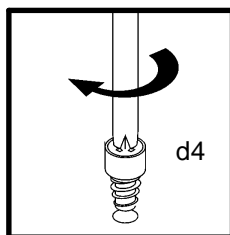
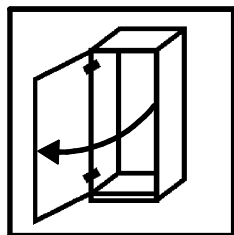


8

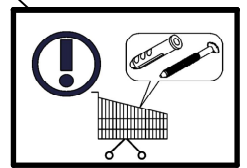
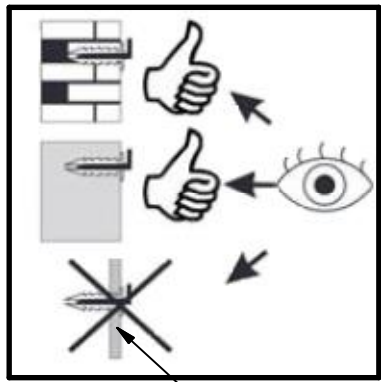
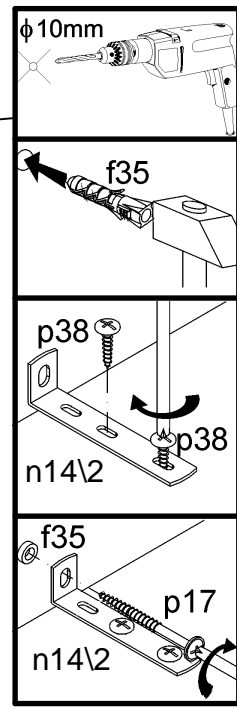
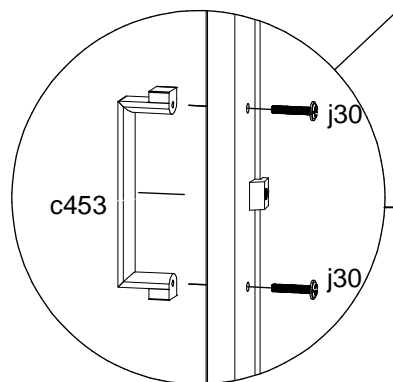
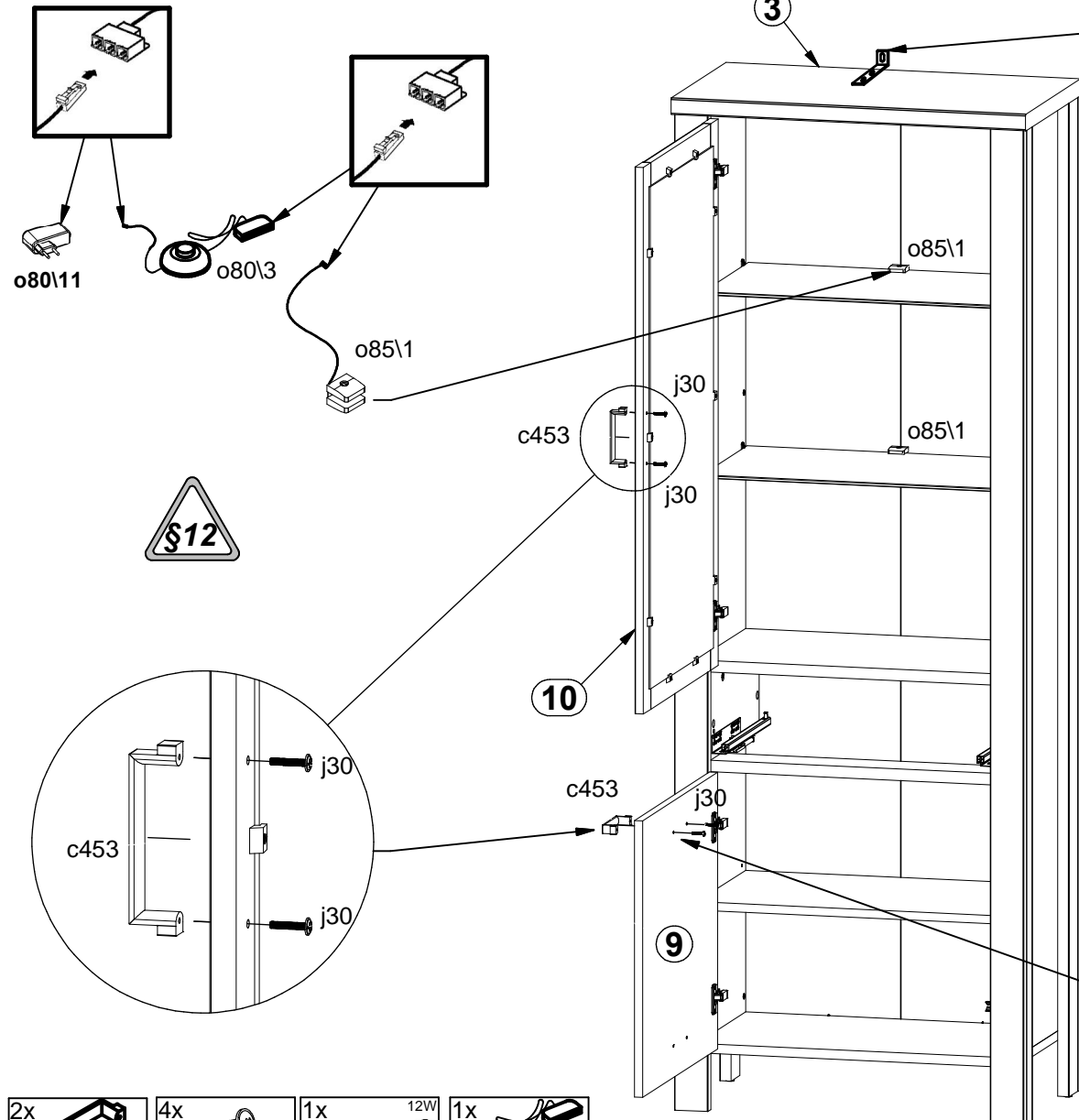
9



10

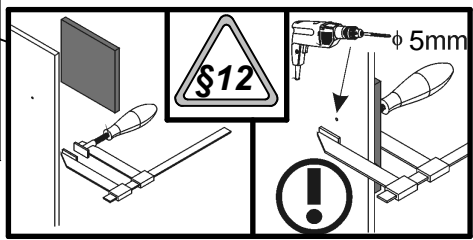


11



- 1x f35
Ø10x50 mm
- 1x n14\2
88x21x15/1,5
- 1x p17
Ø5x60 mm
- 2x p38
Ø3.5x16 mm

- 2x c453
- 4x M4x22 mm
- 1x j30
- 1x o80\11
12W
- 1x o80\3



12

