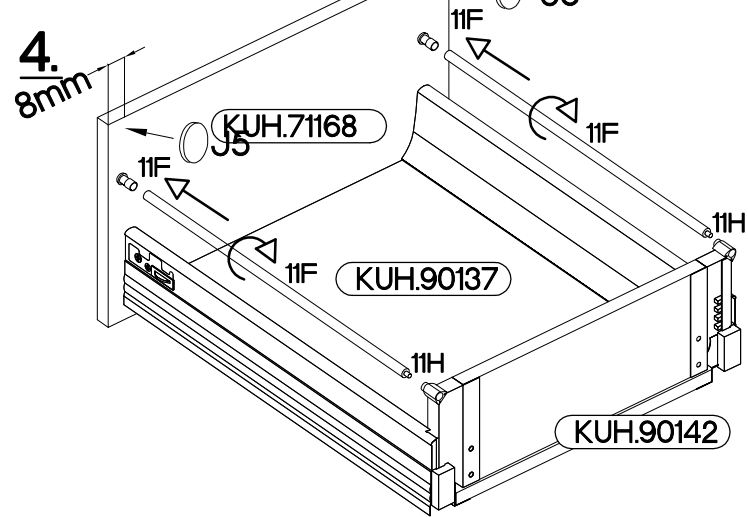
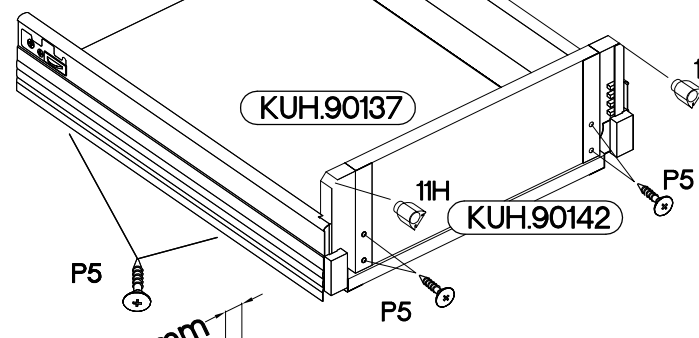
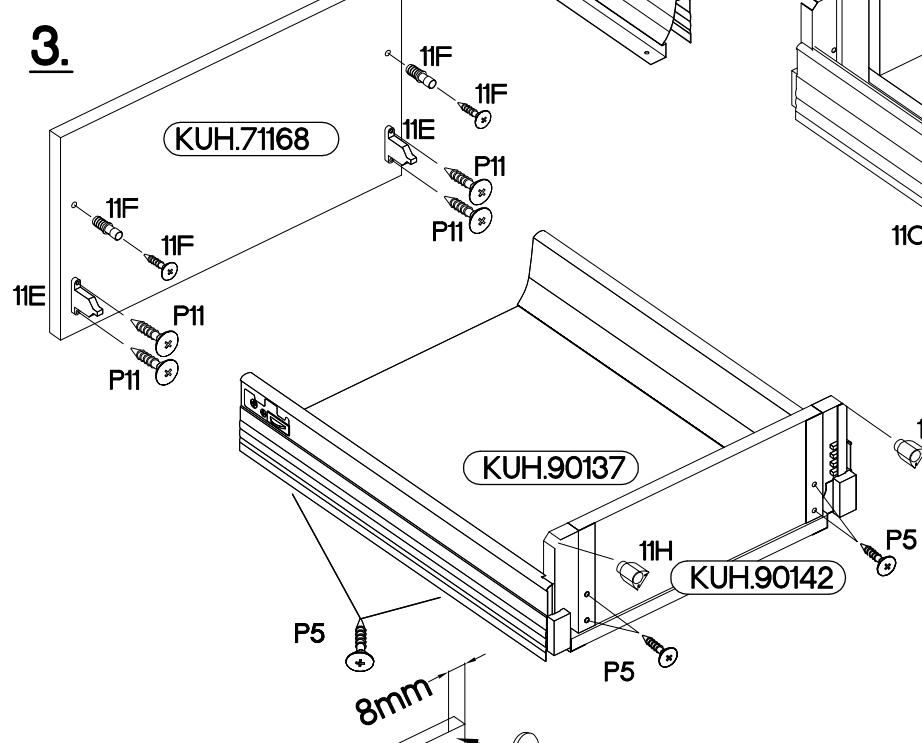
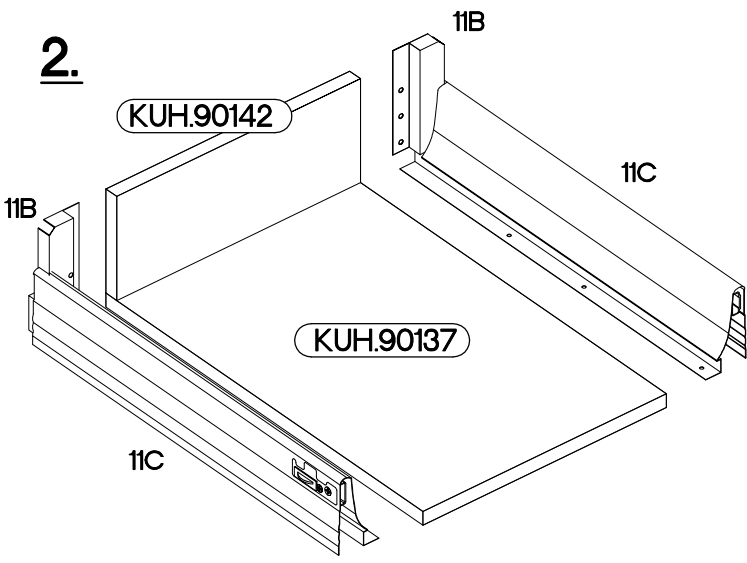
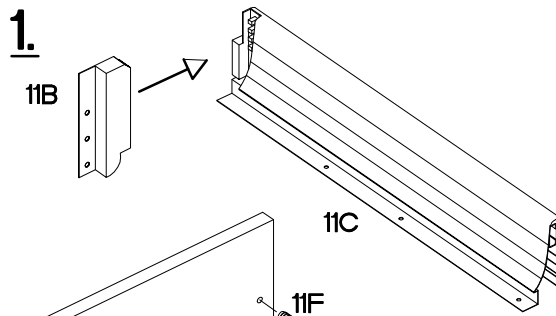


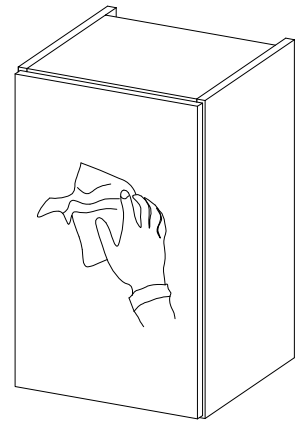
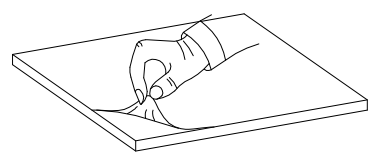
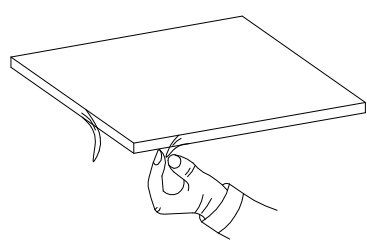
1

11B	11C	11E	11F	11H	P11	P5	11G	J5
2	2	4	4	4	8	16	4	4

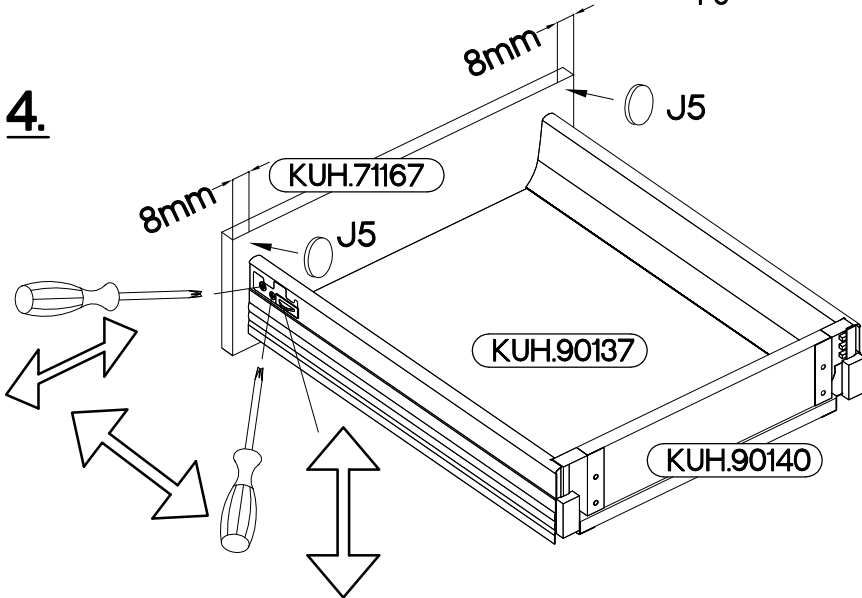
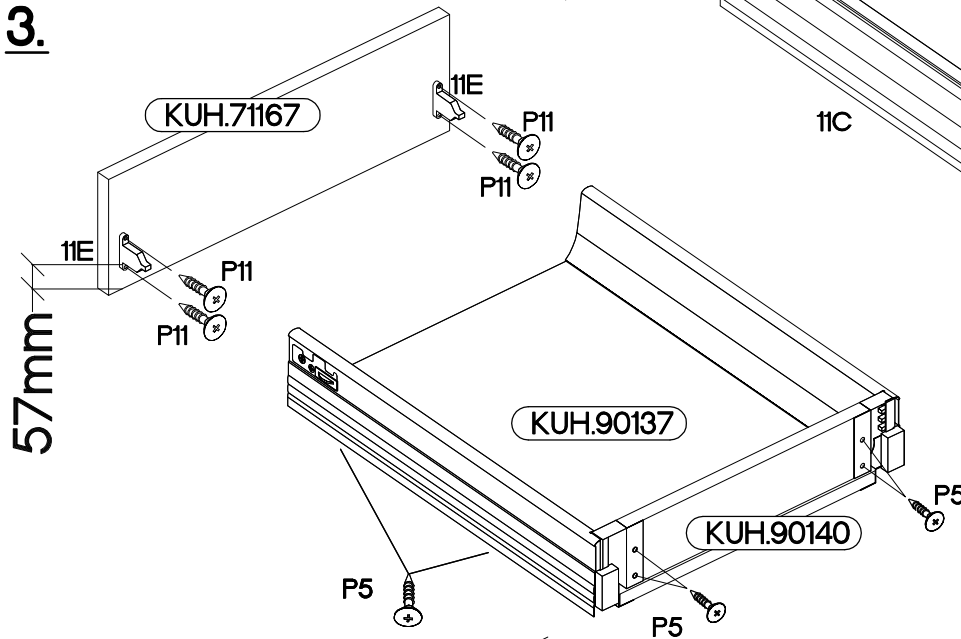
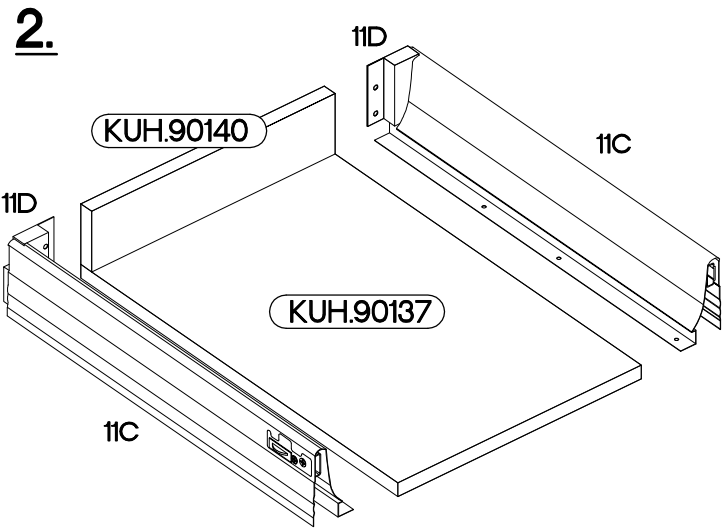
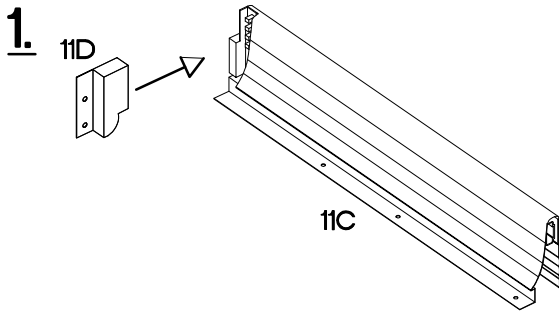


x2

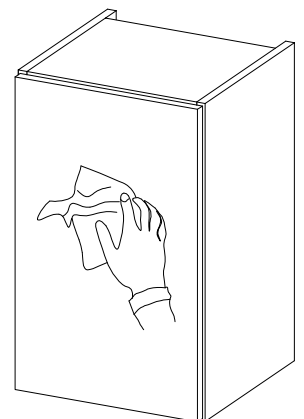
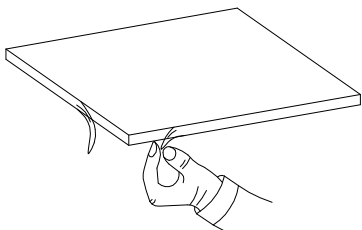
VARIANT HIGH GLOSS



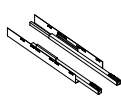


			$\pm 3.0 \times 16 \text{mm}$ 	$\pm 3.5 \times 13 \text{mm}$ 		$\pm 7/2 \text{mm}$
11D	11C	11E	P11	P5	11G	J5
1	1	2	4	8	2	2

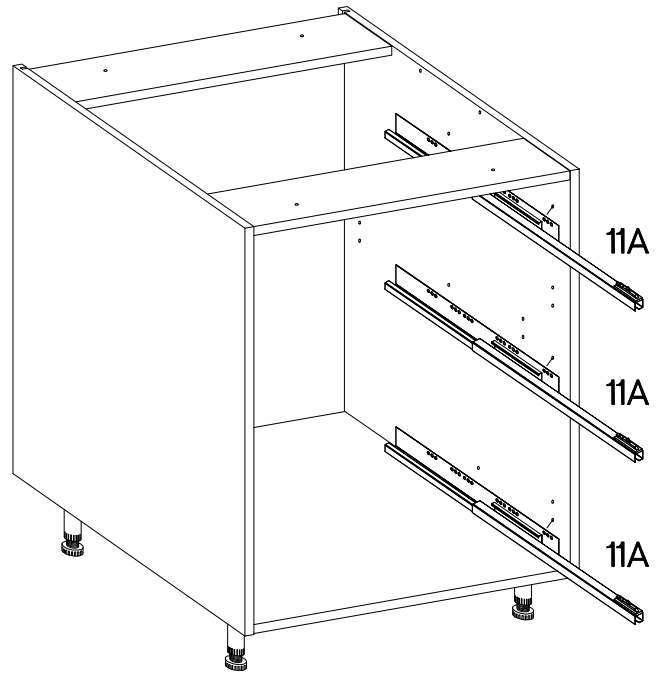
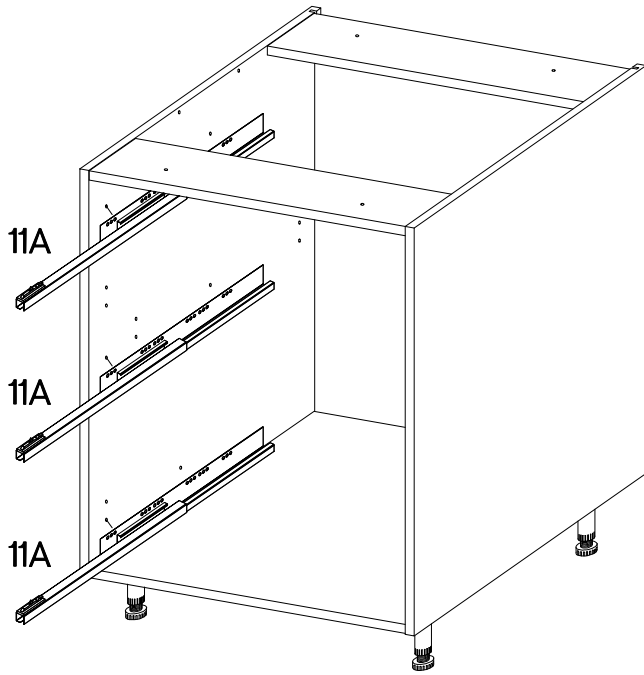
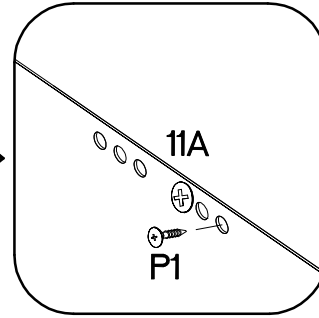
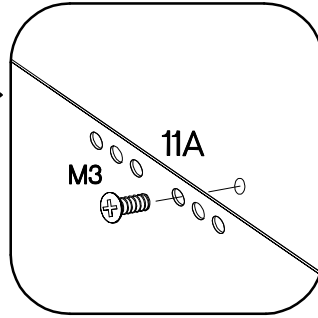
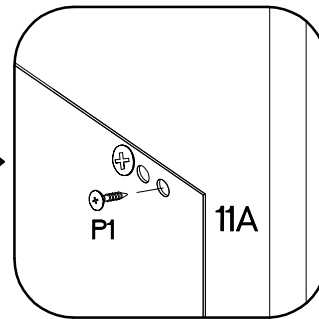
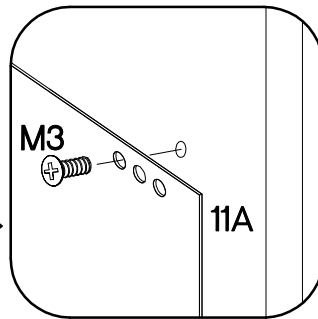
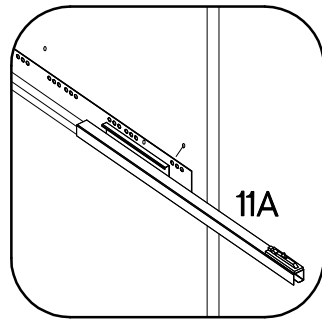


VARIANT HIGH GLOSS

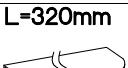



3

		
11A	M3	P1
3	12	12



4



3

